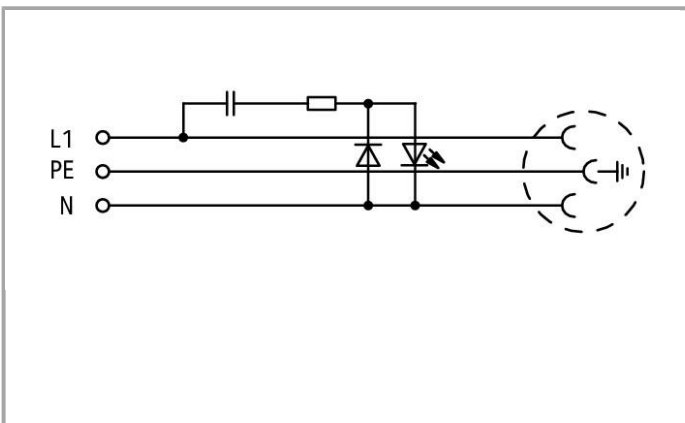
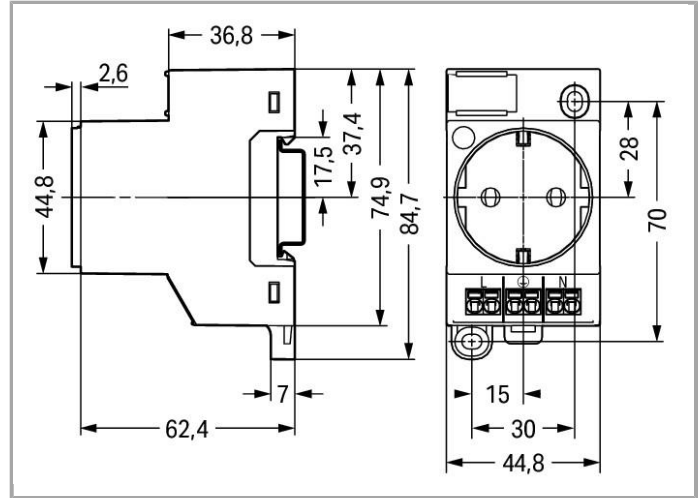


Data sheet | Item number: 709-581

Switchgear cabinet outlet; for DIN-rail and screw mounting; for plug, type F, CEE 7/4 (Schuko); common in DE, NL, AT; with LED status indicator; with Push-in Cage Clamp double connection



www.wago.com/709-581



Data

Electrical data

Voltage type (1)	AC
------------------	----

Ratings per IEC/EN 60664-1

Rated voltage (III / 3)	250 V
Rated impulse voltage (III / 3)	2 kV
Rated current	16 A

Connection data

Connection type (1)	L, PE, N
Connection technology	Push-in CAGE CLAMP®
Actuation type	Push-in
Actuation direction (1)	Operation parallel to conductor entry
Connectable conductor materials	Copper
Nominal cross section	2.5 mm ²
Solid conductor	0.2 ... 2.5 mm ² / 24 ... 14 AWG
Stranded conductor	0.2 ... 2.5 mm ² / 24 ... 14 AWG
Fine-stranded conductor	0.2 ... 2.5 mm ² / 24 ... 14 AWG
Strip length	9 ... 10 mm / 0.35 ... 0.39 Inch
No. of poles	3
Number of connection types	3
Number of test slots	2

Geometrical Data

Width	45 mm / 1.772 inch
Height	65 mm / 2.559 inch
Height from the surface	65 mm / 2.559 inch
Height from upper-edge of DIN-35 rail	59.8 mm / 2.354 inch
Depth	84.7 mm / 3.335 inch

Mechanical data

Type of mounting	DIN-35 rail
Degree of protection	IP20
Potential marking	L N

Material Data

Color	light gray
Material group	I




Insulating material	Polyamide 66 (PA 66)
Flammability class per UL94	V0
Clamping spring material	Chrome nickel spring steel (CrNi)
Contact material	Copper alloy
Contact plating	Sn
Weight	81.6 g

Commercial data

Packaging type	BOX
Country of origin	BG
GTIN	4055143721295

Approvals / Certificates

Country specific Approvals

Logo	Approval	Certificate name
	VDE VDE Prüf- und Zertifizierungsinstitut	40047680 (IEC 60884-1)

Downloads smartDATA

CAD data

3D Download 709-581	URL	Download
---------------------	-----	----------

Subject to changes.