

DC Tubular Solenoid



Model T3.5x9

Features:

- High performance construction
- Available return spring kit
- DC solenoid applications only
- See TP3.5x9 for push application
- UL recognized



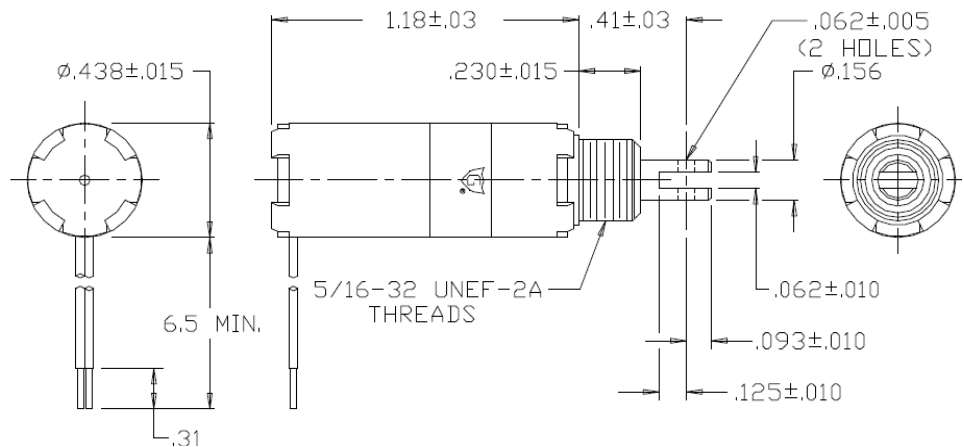
Electrical:

- Coil Voltages: 6, 12, 24, 48, 110 VDC standard
- Coil Termination: 6" Wire leads
28 AWG (standard)
- Duty Cycle: 100% Continuous, 25% Intermittent,
10% Intermittent, 1% Pulse
- Coil treatment: Tape Wrapped
- Insulation Class: Class A Rating - 105°C (221°F)
- Dielectric Strength: 1500V 60 Hz

Mechanical:

- Size: 1.13" (L) x 0.44" (D)
- Plunger Diameter: 0.156
- Plunger Guide Material: Plastic
- Mounting: Hex Nut
- Weight: Plunger 0.1 oz, Total 0.6 oz
- Life Expectancy: 1 Million Cycles¹

¹ - Dependent on load conditions



Solenoid shown energized with plunger fully seated
Supplied with mounting bracket, hex nut and lock washer shipped loose

Standard Part Numbers

Model	Part Number	Duty Cycle	Voltage	Resistance ² (Ω)	Power (W)	Current
T3.5X9-C-12D	A420-062658-05	Cont.	12VDC	60.2	2.5	199 mA
T3.5X9-I-12D	A420-062658-06	Inter.	12VDC	31.1	4.9	386 mA
T3.5X9-C-24D	A420-062658-02	Cont.	24VDC	254	2.4	94 mA
T3.5X9-I-24D	A420-062658-01	Inter.	24VDC	122	5	197 mA

² - Coil resistance tolerance +/- 5%

Contact us for custom voltages or duty cycles

Available Customization:

- Plunger
 - Lead and Connector
 - DC Voltage
 - Duty Cycle
 - Insulation systems up to class H 180° C (356° F)
- * Minimum quantities apply

Stroke (in.)	Typical Pull Force Ounces [N] @ 20°C (68°F) (Distance from fully seated position)			HOLDING FORCE Ounces [N]	Power (W)
	0.050	0.125	0.250		
Continuous 100%	0.5 [0.1]	1 [0.3]	0.5 [0.1]	20 [5.6]	2.4
Intermittent 25%	5 [1.4]	2 [0.6]	1 [0.3]	21 [5.8]	4.9
Intermittent 10% ³	8 [2.2]	3 [0.8]	1.5 [0.4]	31 [8.6]	15.2
Pulse 1% ³	5.5 [1.5]	4 [1.1]	1 [0.3]	N/A	43.6

Continuous Duty = 100% On Time
Intermittent Duty 25% = 25% On Time (100 Sec On Max 300 Sec off)
Intermittent Duty 10% = 10% On Time (10 Sec On Max 90 Sec off)
Pulse Duty 1% = 1% On Time (1 Sec On Max 99 Sec Off)
³- Calculated force values to be verified in application

Optional Return Spring Kit

A490-367460-08



GUARDIAN-ELECTRIC.COM

1425 Lake Ave - Woodstock IL 60098 - Phone: 800-762-0369
The information is subject to change without notice. © Guardian Electric

