

AC Frame Solenoid



Model 11

Features:

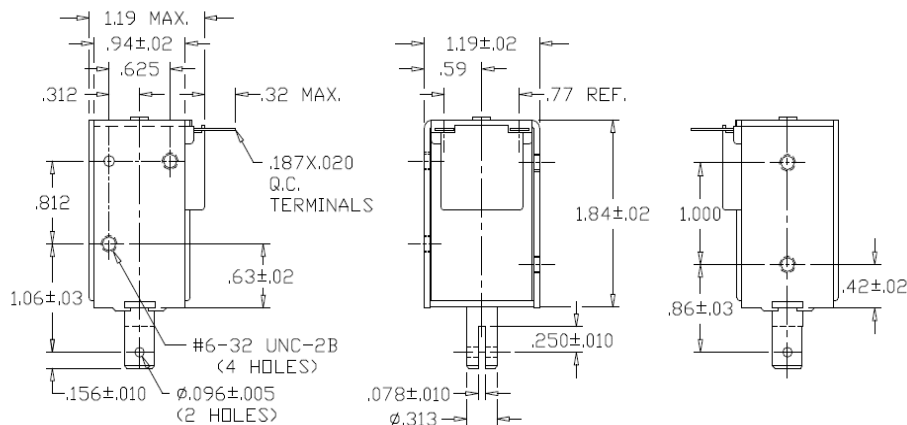
- Available return spring kit
- AC & DC Applications
- See Model 11 DC
- UL recognized

Electrical:

- Coil Voltages: 24, 120, 240 VAC standard
- Coil Termination: 3/16" QC terminals
- Duty Cycle: 100% Continuous, 25% Intermittent, 10% Intermittent, 1% Pulse
- Coil treatment: Plastic cover
- Insulation Class: Class A Rating - 105° C (221° F)
- Dielectric Strength: 1500V 60 Hz

Mechanical:

- Size: 1.84" (L) x 1.19" (W) x 1.19" (H)
- Plunger Diameter: 0.313"
- Plunger Guide Material: Plastic
- Mounting: 4 - #6-32 holes
- Weight: Plunger 0.6 oz, Total 5.2 oz
- Life Expectancy: 1 Million Cycles¹
- ¹ - Dependent on load conditions



Solenoid shown energized with plunger fully seated

Standard Part Numbers

Model No.	Part No.	Duty Cycle	Voltage	Resistance ² (Ω)	Power (W)	Current
11-C-120A	A420-065566-00	Cont.	120VAC	225	12	100 mA
11-I-120A	A420-065567-00	Inter. 15%	120VAC	85	40	333 mA
11-C-240A	A420-065568-00	Cont.	240VAC	920	12	50 mA
11-I-240A	A420-065569-00	Inter. 15%	240VAC	345	40	167 mA

² - Coil resistance tolerance +/- 5%

Contact us for custom voltages or duty cycles

Available Customization:

- Plunger
- AC Voltage
- Duty Cycle
- Insulation systems up to class H 180° C (356° F)

*** Minimum quantities apply**

Stroke (in.)	Typical Pull Force Ounces [N] @ 20°C (68°F) (Distance from fully seated position)								HOLDING FORCE Ounces [N]
	0.125	0.250	0.375	0.500	0.625	0.750	1.000		
Continuous 100%	13 [3.6]	11 [3.1]	10 [2.8]	9 [2.5]	8 [2.2]	7 [1.9]	4 [1.1]	12 [3.3]	
Intermittent 15%	24 [6.7]	20 [5.6]	19 [5.3]	18 [5]	17 [4.7]	16 [4.4]	8 [2.2]	20 [5.6]	

Optional Return Spring Kit

A490-367462-05

Continuous Duty = 100% On Time
Intermittent Duty 15% = 15% On Time (4 Minutes On Max Followed By 23 Minutes Off)



GUARDIAN-ELECTRIC.COM

1425 Lake Ave - Woodstock IL 60098 - Phone: 800-762-0369
The information is subject to change without notice. © Guardian Electric

