

DC Frame Solenoid



Model 11HD

Features:

- Available return spring kit
- AC & DC Applications
- See Model 11HD AC
- UL recognized

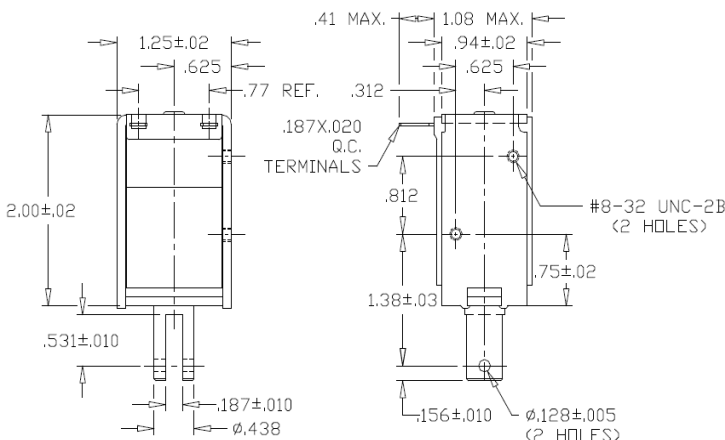
Electrical:

- Coil Voltages: 6, 12, 24, 48, 110 VDC standard
- Coil Termination: 3/16" QC terminals
- Duty Cycle: 100% Continuous, 25% Intermittent, 10% Intermittent, 1% Pulse
- Coil treatment: Plastic cover
- Insulation Class: Class A Rating - 105° C (221° F)
- Dielectric Strength: 1500V 60 Hz

Mechanical:

- Size: 1.54" (L) x 1.62" (W) x 1.57" (H)
- Plunger Diameter: 0.313"
- Plunger Guide Material: Plastic
- Mounting: 4 - #6-32 holes
- Weight: Plunger 1.3 oz, Total 6.5 oz
- Life Expectancy: 1 Million Cycles¹

¹ - Dependent on load conditions



Solenoid shown energized with plunger fully seated

Standard Part Numbers

Model No.	Part No.	Duty Cycle	Voltage	Resistance ² (Ω)	Power (W)	Current
11HD-C-12D	A420-065762-00	Cont.	12VDC	19	8	632 mA
11HD-I-12D	A420-065763-00	Inter. 25%	12VDC	7.78	19.4	1.5 A
11HD-C-24D	A420-065764-00	Cont.	24VDC	76.3	7.9	315 mA
11HD-I-24D	A420-065765-00	Inter. 25%	24VDC	29.3	20.3	819 mA

² - Coil resistance tolerance +/- 5%

Contact us for custom voltages or duty cycles

Available Customization:

- Plunger
- DC Voltage
- Duty Cycle
- Insulation systems up to class H 180° C (356° F)

*** Minimum quantities apply**

Stroke (in.)	Typical Push Force Ounces [N] @ 20°C (68°F) (Distance from fully seated position)									HOLDING FORCE Ounces [N]	Power (W)
	0.050	0.125	0.250	0.375	0.500	0.625	0.750	1.000			
Continuous 100%	70 [19.5]	35 [9.7]	14 [3.9]	8 [2.2]	5 [1.4]	3 [0.8]	2 [0.6]	1 [0.3]	150 [41.7]	8	
Intermittent 25%	100 [27.8]	73 [20.3]	35 [9.7]	22 [6.1]	18 [5]	10 [2.8]	7 [1.9]	5 [1.4]	168 [46.7]	20	
Intermittent 10% ³	150 [41.7]	115 [32]	82 [22.8]	60 [16.7]	42 [11.7]	30 [8.3]	20 [5.6]	10 [2.8]	180 [50]	72.2	
Pulse 1% ³	190 [52.8]	170 [47.3]	138 [38.4]	110 [30.6]	90 [25]	65 [18.1]	55 [15.3]	25 [7]	N/A	146.8	

Optional Return Spring Kit
A490-367461-06

Continuous Duty 100% = 100% On Time
 Intermittent Duty 25% = 25% On Time (100 Seconds On Max Followed By 300 Seconds Off)
 Intermittent Duty 10% = 90% On Time (10 Seconds On Max Followed By 90 Seconds Off)
 Pulse Duty 1% = 99% On Time (1 Second On Max Followed By 99 Seconds Off)
³ - Calculated force values to be verified in application



GUARDIAN-ELECTRIC.COM

1425 Lake Ave - Woodstock IL 60098 - Phone: 800-762-0369
 The information is subject to change without notice. © Guardian Electric

