

Features

- AT and XT versions available
- Dip solder tails on .200" (5.08mm) row centers double readout
- Bifurcated semi-bellows contacts for added contact reliability
- Ideal for applications involving vibration or board irregularities
- Contact positions: 12, 15, 18, 20, 22, 25, 28, 30, 31, 36, 37, 40, 43, 44, 49, 50, 52, 60, 70, AT and XT
- Accepts .062" (1.59mm) thick PC boards
- Available less mounting ears, or with .128" (3.25mm) mounting holes or 4-40 threaded holes
- Meets applicable performance criteria of MIL-C-21097
- Tube packaging available
- UL Recognized-file E19071

Performance Data

Materials

Insulation Material: UL 94V-0 rated glass-filled polyester, black

Contact Material: Spring brass

Standard Contact Plating: 10 µinch selective gold over nickel, 50 µinch nickel in contact area, tin on tails

XT, AT Plating: 30 µinch selective gold over 50 µinch nickel in contact area, tin on tails

Electrical Characteristics

Withstanding Voltage: 650 VAC rms (@ sea level)

Current Rating: 3 Amps

Contact Resistance: 10 Milliohms maximum

Insulation Resistance: 5000 Megohms minimum

Mechanical Characteristics

Individual Contact Insertion and Separation Force: 12oz. maximum with .070" (1.78mm) blade; 1 oz. minimum with .054" (1.37mm) blade

Environmental Characteristics

Shock: Per MIL-STD-202E, Method 213, Condition C

Operating Temperature: -65°C to +105°C

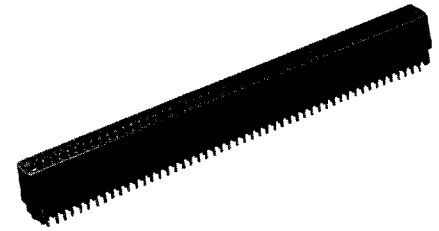
Vibration: Per MIL-STD-202E, Method 204, Condition B

Humidity: Per MIL-STD-202, Method 103, Condition B

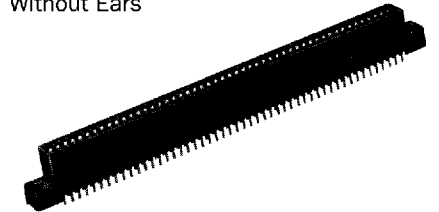
Accessories

Polarizing Key: Two types (order separately): a) for between-contact polarization and b) for in-contact polarization See page 36 for more information

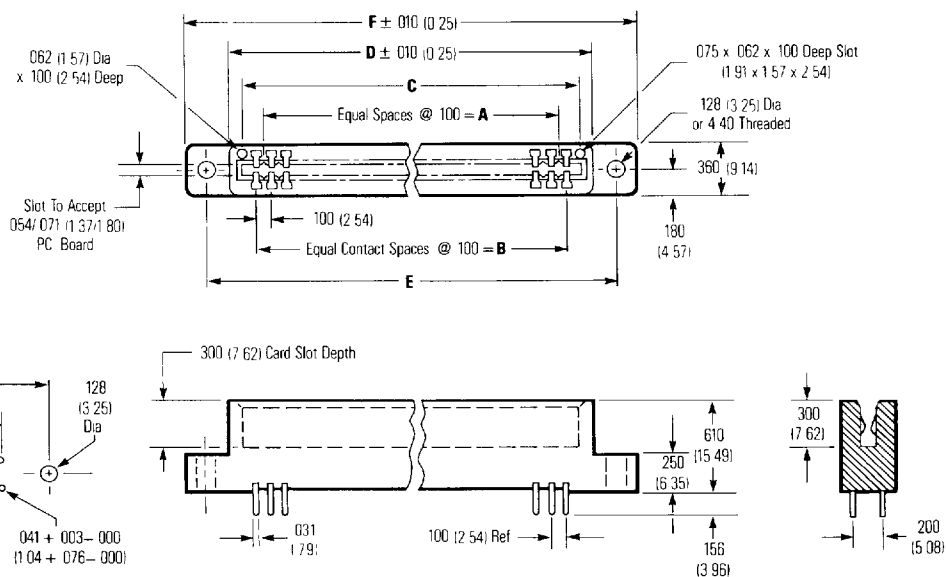
Card Guide Posts: (Order separately) Attach to mounting ears and guide PC board into connector See page 36 for more information



Without Ears



With Ears



CARDCON™
Edge Connector
Commercial

.100" (2.54mm) Density
Dip Solder

Dimensions

No. of Pos./Cont.	A		B		C		D		E		F	
	in	mm	in	mm	in	mm	in	mm	in	mm	in	mm
12/24	1 000	25 40	1 100	27 94	1 300	33 02	1 460	37 08	1 775	45 09	2 035	51 69
15/30	1 300	33 02	1 400	35 56	1 600	40 64	1.760	44 70	2 075	52 71	2.335	59 31
18/36	1 600	40 64	1 700	43 18	1 900	48 26	2 060	52 32	2 375	60 33	2 635	66 93
18/36 + 31/62 IBM	5 000	127 00	5 100	129 54	5 300	134 62	5 460	138 68	5 775	146 69	6 035	153 29
20/40	1 800	45 72	1 900	48 26	2.100	53 34	2 260	57 40	2 575	65 41	2 835	72 01
22/44	2 000	50 80	2 100	53 34	2.300	58 42	2 460	62 48	2 775	70 49	3 035	77 09
25/50	2 300	58 42	2.400	60 96	2 600	66 04	2 760	70.10	3 075	78 11	3 335	84 71
28/56	2 600	66 04	2 700	68 58	2 900	73 66	3 060	77 72	3 375	85 73	3 635	92 33
30/60	2 800	71 12	2 900	73 66	3 100	78 74	3 260	82 80	3.575	90 81	3 835	97 41
31/62	2 900	73 66	3 000	76 20	3 200	81 28	3 360	85 34	3 675	93 35	3 935	99 95
31/62 IBM	2 900	73 66	3 000	76 20	3 200	81 28	3.360	85 34	3.675	93 35	3 935	99.95
36/72	3 400	86 36	3 500	88 90	3.700	93 98	3.860	98 04	4 175	106 05	4 435	112.63
37/74	3 500	88 90	3 600	91 44	3 800	96 52	3.960	100 58	4 275	108 59	4 535	115 19
40/80	3 800	96 52	3 900	99 06	4 100	104 14	4 260	108 20	4 575	116 21	4 835	122 81
43/86	4 100	104 14	4 200	106 68	4 400	111 76	4 560	115 82	4 875	123 83	5 135	130 43
44/88	4 200	106 68	4 300	109 22	4 500	114 30	4 660	118 36	4 975	126 37	5 235	132 97
49/98	4 700	119 38	4 800	121 92	5 000	127 00	5 160	131 06	5 475	139 07	5 735	145 67
50/100	4 800	121 92	4 900	124 46	5 100	129 54	5 260	133 60	5 575	141 61	5.835	148 21
52/104	5 000	127 00	5 100	129 54	5 300	134 62	5 460	138 68	5 775	146 69	6.035	153 29
60/120	5 800	147 32	5 900	149 86	6 100	154 94	6 260	159 00	6 575	167 01	6 835	173 61
70/140	6 800	172 72	6 900	175 26	7 100	180 34	7 260	184 40	7 575	192 41	7 835	199 01

Ordering Information

No. of Pos./Cont.	Less Mounting Ears Part No.	.128" (3.25mm)	4-40
		Mounting Holes Part No.	Threaded Holes Part No.
12/24	50-12SN-12	50-12SN-11	50-12SN-13
15/30	50-15SN-12	50-15SN-11	50-15SN-13
18/36	50-18SN-12	50-18SN-11	50-18SN-13
18/36 + 31/62 IBM	50-52SN-AT	—	—
20/40	50-20SN-12	50-20SN-11	50-20SN-13
22/44	50-22SN-12	50-22SN-11	50-22SN-13
25/50	50-25SN-12	50-25SN-11	50-25SN-13
28/56	50-28SN-12	50-28SN-11	50-28SN-13
30/60	50-30SN-12	50-30SN-11	50-30SN-13
31/62	50-31SN-12	50-31SN-11	50-31SN-13
31/62 IBM	50-31SN-XT	—	—
36/72	50-36SN-12	50-36SN-11	50-36SN-13
37/74	50-37SN-12	50-37SN-11	50-37SN-13
40/80	50-40SN-12	50-40SN-11	50-40SN-13
43/86	50-43SN-12	50-43SN-11	50-43SN-13
44/88	50-44SN-12	50-44SN-11	50-44SN-13
49/98	50-49SN-12	50-49SN-11	50-49SN-13
50/100	50-50SN-12	50-50SN-11	50-50SN-13
52/104	50-52SN-12	50-52SN-11	50-52SN-13
60/120	50-60SN-12	50-60SN-11	50-60SN-13
70/140	50-70SN-12	50-70SN-11	50-70SN-13