

Business Unit: Electronics **PCN/18/019/PM+MD - US**

Product range: M12 Circular Connectors **Date:** 2018-10-03

Title: Modification of har-speed M12 Angled PCB Receptacles **Page** 1/2

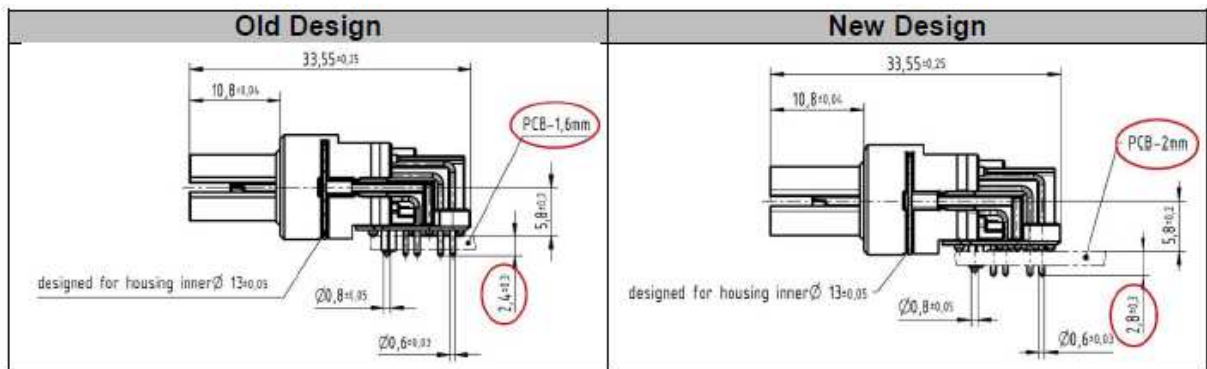
Details of the Product Changes

1. Affected Part Numbers

21033814802, 21033814804, 21033814806, 21033814807, 21033814809,
21033814810

2. Description of the Change

Length modification of the PCB side pins. Length of the pins has been extended by additional 0.4 mm (total length of 2 mm), making this product line suitable for 2 mm thick printed circuit boards.



3. Impact on the Product Specification

This change does not have any impact on fit, form or function of this product line. The outer dimensions and footprint of the products remain unchanged.

4. Scheduled Date of Implementation

September 2018

5. Identification of Change

There will be a new revision level created for each part number.

In case of questions or concerns, please do not hesitate to contact our technical support.

Technical Support E-mail: TechSupportUS@HARTING.com

Technical Support Phone Number: **866-278-0306** (Select option 3 for technical support.)