

Miniature Snap-In Nylon Rocker

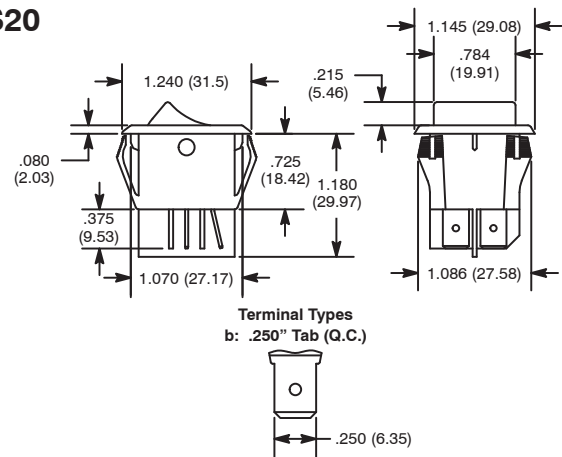


Features

- .250" Quick Connect Terminals
- Fits Standard Panel Cutout
- Withstand Peak Inrush to 100 Amps



S20



Specifications

Current Rating: 20A 125VAC, 15A 250VAC, 3/4 HP 125–250VAC
Insulation Resistance: 100 Megohms (min.)
Dielectric Strength: 1000V RMS (min.)
Temperature Rating: -40° to +185°F (-40° to +85°C)
Electrical Life: 50,000 cycles
Mechanical Life: 100,000 cycles
Terminal Type: .250" Tab Q.C.
Mounting Hole: 1.125 (28.58) x 1.000 (25.4)

NTE Type No.	Circuitry	Action			Actuator		Diag No.
					Material	Color	
54-081	DPST	OFF	NONE	ON	Nylon	Black	S20b

Snap-In Nylon Rocker

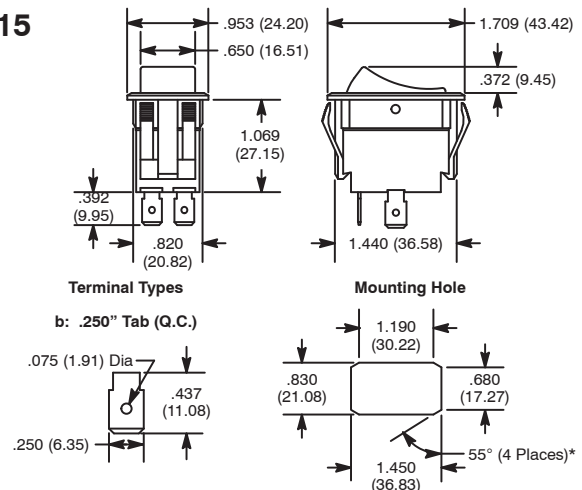


Features

- AC Rated, Also Suitable for Low Voltage DC Applications



S15



Specifications

Current Rating: 15A 125VAC, 10A 250VAC, 3/4 HP 125–250VAC
Insulation Resistance: 100 Megohms (min.)
Dielectric Strength: 1000V RMS (min.)
Temperature Rating: +32° to +185°F (0° to +85°C)
Electrical Life: 50,000 cycles
Mechanical Life: 100,000 cycles (min.)
Terminal Type: .250" Tab Q.C.
Mounting Hole: 1.450 (36.83) x .830 (21.08)

NTE Type No.	Circuitry	Action			Actuator		Diag No.
					Material	Color	
54-047	SPST	ON	NONE	OFF	Nylon	Black	S15b
54-048	SPDT	ON	NONE	ON	Nylon	Black	S15b
54-049	SPDT	ON	OFF	ON	Nylon	Black	S15b
54-050	DPST	ON	NONE	OFF	Nylon	Black	S15b
54-051	DPDT	ON	NONE	ON	Nylon	Black	S15b
54-052	DPDT	ON	OFF	ON	Nylon	Black	S15b
54-114	DPST	(ON)	NONE	OFF	Nylon	Black	S15b
54-115	DPST	ON	NONE	(OFF)	Nylon	Black	S15b
54-116	DPDT	ON	NONE	(ON)	Nylon	Black	S15b
54-117	DPDT	ON	OFF	(ON)	Nylon	Black	S15b
54-118	DPDT	(ON)	OFF	(ON)	Nylon	Black	S15b

SPECIAL NOTE: () = Momentary Function