

Off-Line Digital Green-Mode Quasi-Resonant PWM Controller

1 Description

The iW1602 is a high performance AC/DC power supply controller that uses digital control technology to build peak current mode PWM flyback power supplies. The device operates in quasi-resonant mode to provide high efficiency and includes a number of key built-in protection features while minimizing the external component count, simplifying EMI design and lowering the total bill of material cost. The iW1602 removes the need for secondary feedback circuit while achieving excellent line and load regulation. It also eliminates the need for loop compensation components while maintaining stability over all operating conditions. Pulse-by-pulse waveform analysis allows for a loop response that is much faster than traditional solutions, resulting in improved dynamic load response. The built-in power limit function enables optimized transformer design in universal off-line applications and allows for a wide input voltage range.

Dialog's innovative proprietary technology ensures that power supplies built with the iW1602 can achieve both the highest average active efficiency and low no-load power consumption, and have fast dynamic load response in a compact form factor in typical 5V, 2A, 10W applications. The iW1602 has unique user-configurable light-load operation modes to allow optimization of the system cost and performance according to the application requirements of dynamic load response and no-load power consumption.

2 Features

- User-configurable light-load operation modes for optimized dynamic load response and no-load power consumption
- No-load power consumption < 30mW at 230V_{AC} with fast dynamic load response in typical 5V, 2A 10W compact adapter/charger when a secondary-side controller with Active Voltage Positioning (AVP) function is used (iW676-30)
- No-load power consumption < 75mW at 230V_{AC} along with fast dynamic load response in typical 5V, 2A 10W compact adapter/charger applications without a secondary-side AVP controller
- Tight constant-voltage and constant current regulation across line and load range
- Primary-side feedback eliminates opto-isolators and simplifies design
- Intelligent low power management achieves ultra-low operating current (~250μA) at no-load
- Proprietary optimized 89kHz maximum PWM switching frequency with quasi-resonant operation achieves best size, efficiency and common mode noise
- User-configurable 5-level cable drop compensation provides design flexibility
- **EZ-EMI**[®] design enhances manufacturability
- Adaptive multi-mode PWM/PFM control improves efficiency
- Complies with CoC Version 5 Tier 2 and DOE level VI energy-efficiency specifications with ample margin
- Built-in single-point fault protections against output short-circuit, output over-voltage and output over-current
- Dedicated pins for external over-voltage protection, with latch function available
- **SmartDefender**[™] smart hiccup technology helps to address issues of soft shorts in cables and connectors by effectively reducing the average output power at fault conditions without latch
- Optional on-chip internal over-temperature protection
- No audible noise over entire operating range
- Space-saving SOT-23 package

3 Applications

- Compact AC/DC adapters/chargers for media tablets and smart phones
- AC/DC adapters for consumer electronics

Off-Line Digital Green-Mode
Quasi-Resonant PWM Controller

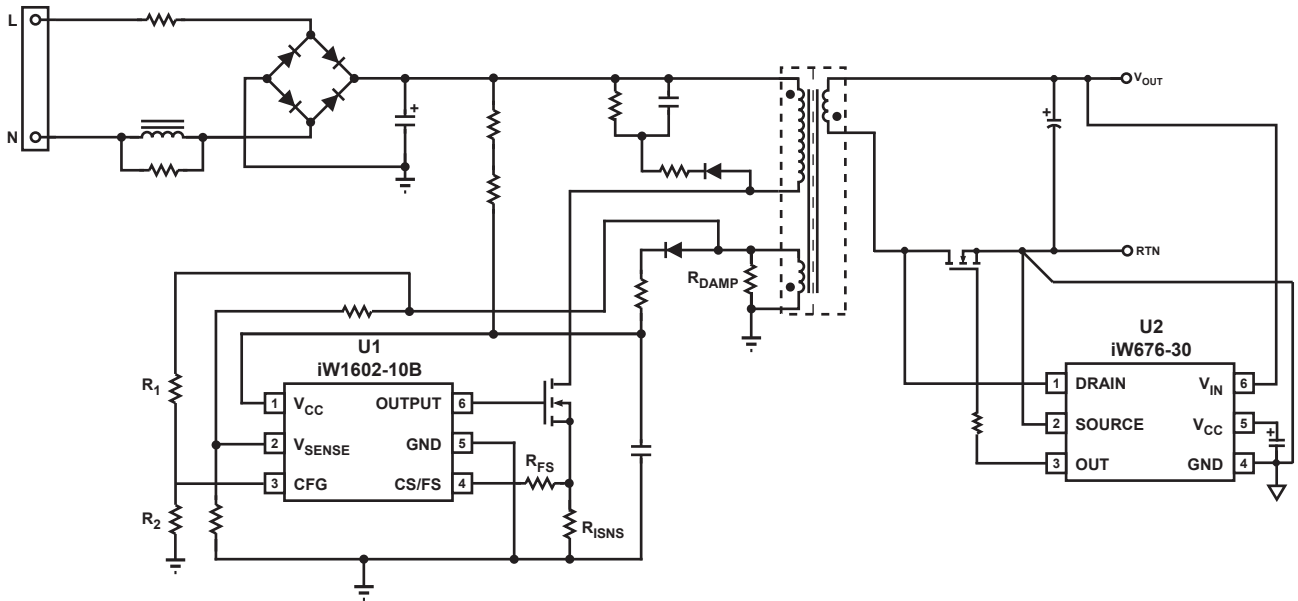


Figure 3.1 : iW1602-10B Typical Application Circuit Using iW676-30 as the Secondary-Side Synchronous Rectifier and Dynamic Load Detection IC (Minimum Switching Frequency is Set at 140Hz to Achieve < 30mW No-Load Power Consumption in 5V, 2A 10W Adapter Design)

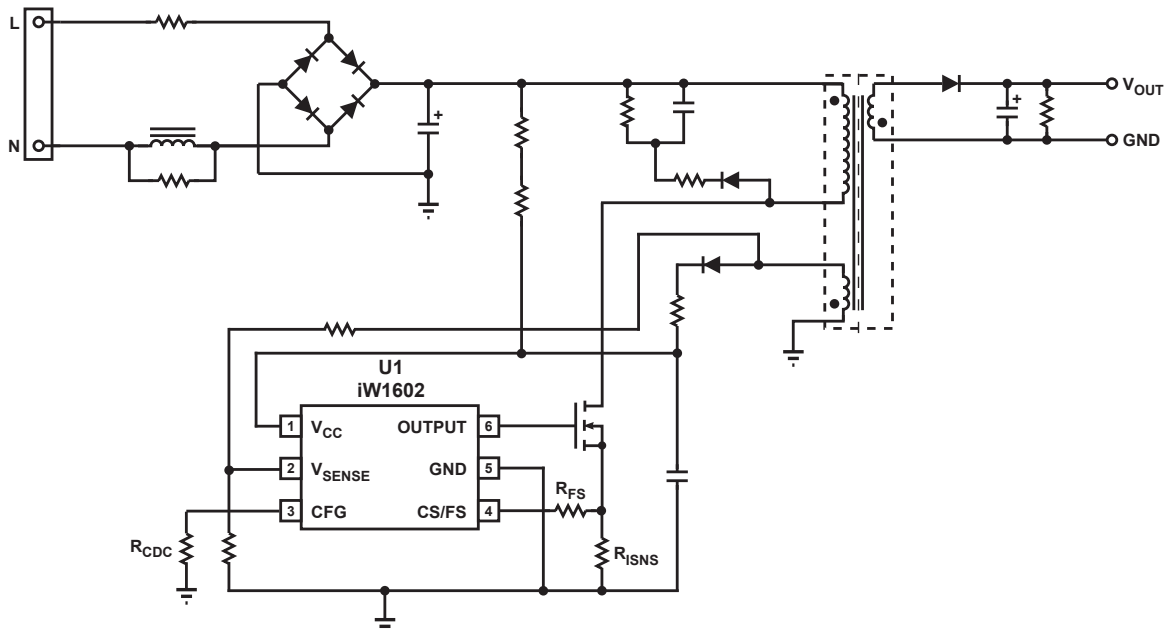


Figure 3.2 : iW1602 Typical Application Circuit (Minimum Switching Frequency is Set at 2kHz to Achieve < 75mW No-Load Power Consumption in 5V, 2A 10W Adapter Design)

Off-Line Digital Green-Mode Quasi-Resonant PWM Controller

4 Pinout Description

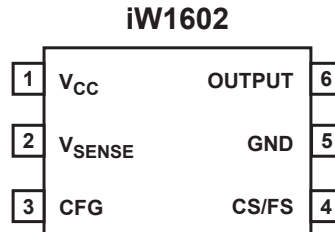


Figure 4.1 : 6-Lead SOT23 Package

| Pin Number | Pin Name | Type | Pin Description |
|------------|--------------------|--------------|---|
| 1 | V _{CC} | Power Input | IC power supply. |
| 2 | V _{SENSE} | Analog Input | Auxiliary voltage sense. It is used for primary-side regulation and detection of secondary-side load transient signal. |
| 3 | CFG | Analog Input | It is used for external cable drop compensation (CDC) configuration and supplemental over-voltage protection (OVP). |
| 4 | CS/FS | Analog Input | Primary-side current sense and minimum switching frequency configuration. It is used for cycle-by-cycle peak-current control and limit in primary-side CV/CC regulation. It is also used for minimum switching frequency configuration. |
| 5 | GND | Ground | Ground. |
| 6 | OUTPUT | Output | Gate drive for the external MOSFET switch. |

Off-Line Digital Green-Mode Quasi-Resonant PWM Controller

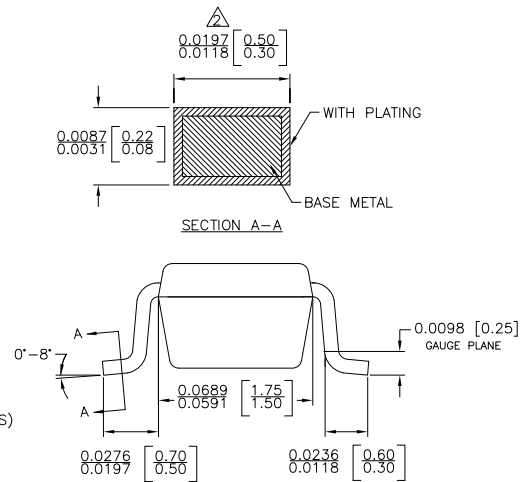
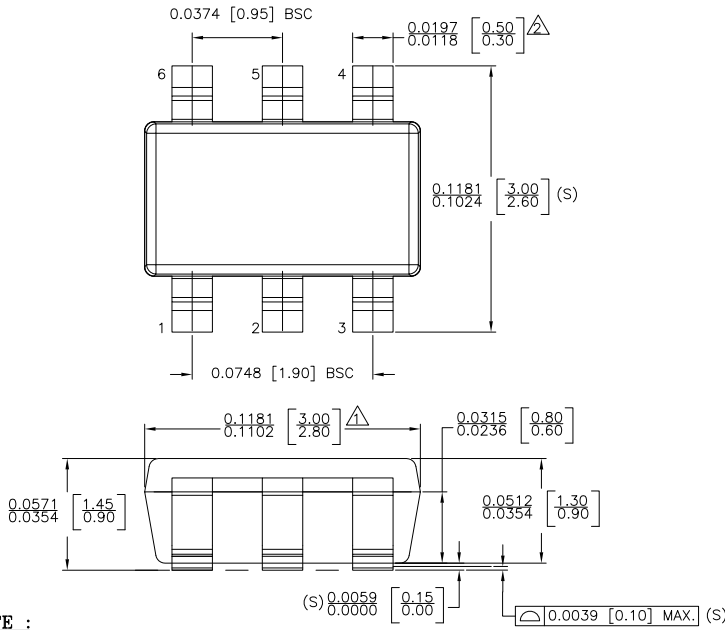
5 Absolute Maximum Ratings

Absolute maximum ratings are the parameter values or ranges which can cause permanent damage if exceeded.

| Parameter | Symbol | Value | Units |
|--|---------------|--------------|-------|
| DC supply voltage range (pin 1, $I_{CC} = 20\text{mA max}$) | V_{CC} | -0.3 to 25.0 | V |
| Continuous DC supply current at V_{CC} pin ($V_{CC} = 15\text{V}$) | I_{CC} | 20 | mA |
| OUTPUT (pin 6) | | -0.3 to 20.0 | V |
| V_{SENSE} input (pin 2, $I_{VSENSE} \leq 10\text{mA}$) | | -0.7 to 4.0 | V |
| CS/FS input (pin 4) | | -0.3 to 4.0 | V |
| CFG (pin 3, $I_{CFG} \leq 20\text{mA}$) | | -0.8 to 4.0 | V |
| Maximum junction temperature | T_{JMAX} | 150 | °C |
| Operating junction temperature | T_{JOPT} | -40 to 150 | °C |
| Storage temperature | T_{STG} | -65 to 150 | °C |
| Thermal resistance junction-to-ambient | θ_{JA} | 208 | °C/W |
| ESD rating per JEDEC JESD22-A114 | | $\pm 2,000$ | V |
| Latch-up test per JESD78D | | ± 100 | mA |

Off-Line Digital Green-Mode
Quasi-Resonant PWM Controller

6 Physical Dimensions



NOTE :

- △ DOES NOT INCLUDE MOLD FLASH, PROTRUSIONS OR GATE BURRS. MOLD FLASH, PROTRUSIONS AND GATE BURRS SHALL NOT EXCEED 0.127 MM PER SIDE.
- △ DOES NOT INCLUDE INTER-LEAD FLASH OR PROTRUSIONS. INTER-LEAD FLASH AND PROTRUSIONS SHALL NOT EXCEED 0.127 MM PER SIDE.
- 3. DIE IS FACING UP FOR MOLD. DIE IS FACING DOWN FOR TRIM/FORM.
- 4. THIS PART IS COMPLIANT WITH EIAJ SPECIFICATION SC74A AND JEDEC SPECIFICATION MO-178AB.
- 5. LEAD SPAN/STAND OFF HEIGHT/COPLANARITY ARE CONSIDERED AS SPECIAL CHARACTERISTIC(S)
- 6. CONTROLLING DIMENSIONS IN INCHES. [mm]

| | | |
|---|-------------------------------|------------------------|
| | | |
| STATUS: RELEASED | | SCALE: DO NOT SCALE |
| TERMINAL FINISH: 100% Sn or NiPdAu (PPF) | | |
| TITLE: 6 SOT23 PACKAGE OUTLINE | | |
| REV: A | REVISION NOTE: NEW DRAWING | DATE: 02-MAR-2015 |

Off-Line Digital Green-Mode Quasi-Resonant PWM Controller

7 Ordering Information

| Part Number | Status | Options | Package | Description |
|-------------|--------------------------------|---|---------|--------------------------|
| iW1602-00 | Not recommended for new design | No latch, 3.0V CC shutdown voltage, smart hiccup with 2/8 duty cycle | SOT-23 | Tape & Reel ¹ |
| iW1602-01 | Not recommended for new design | OVP latch, CC shutdown and latch, 3.5V CC shutdown voltage, no smart hiccup | SOT-23 | Tape & Reel ¹ |
| iW1602-02 | Not recommended for new design | OVP latch, "no CC" operation and latch, no smart hiccup | SOT-23 | Tape & Reel ¹ |
| iW1602-03 | Not recommended for new design | No latch, 3.0V CC shutdown voltage, smart hiccup with 2/8 duty cycle, Internal OTP disabled | SOT-23 | Tape & Reel ¹ |
| iW1602-00B | Active | No latch, 3.0V CC shutdown voltage, smart hiccup with 2/8 duty cycle | SOT-23 | Tape & Reel ¹ |
| iW1602-01B | Active | OVP latch, CC shutdown and latch, 3.5V CC shutdown voltage, no smart hiccup | SOT-23 | Tape & Reel ¹ |
| iW1602-02B | Active | OVP latch, "no CC" operation and latch, no smart hiccup | SOT-23 | Tape & Reel ¹ |
| iW1602-03B | Active | No latch, 3.0V CC shutdown voltage, smart hiccup with 2/8 duty cycle, Internal OTP disabled | SOT-23 | Tape & Reel ¹ |
| iW1602-10B | Active | No latch, 3.0V CC shutdown voltage, smart hiccup with 2/8 duty cycle, optimized to pair with iW676-30 | SOT-23 | Tape & Reel ¹ |

Note 1: Tape and reel packing quantity is 3,000/reel. Minimum packing quantity is 3,000.

Off-Line Digital Green-Mode Quasi-Resonant PWM Controller

Disclaimer

Information in this document is believed to be accurate and reliable. However, Dialog Semiconductor does not give any representations or warranties, expressed or implied, as to the accuracy or completeness of such information. Dialog Semiconductor furthermore takes no responsibility whatsoever for the content in this document if provided by any information source outside of Dialog Semiconductor.

Dialog Semiconductor reserves the right to change without notice the information published in this document, including without limitation the specification and the design of the related semiconductor products, software and applications.

Applications, software, and semiconductor products described in this document are for illustrative purposes only. Dialog Semiconductor makes no representation or warranty that such applications, software and semiconductor products will be suitable for the specified use without further testing or modification. Unless otherwise agreed in writing, such testing or modification is the sole responsibility of the customer and Dialog Semiconductor excludes all liability in this respect.

Customer notes that nothing in this document may be construed as a license for customer to use the Dialog Semiconductor products, software and applications referred to in this document. Such license must be separately sought by customer with Dialog Semiconductor.

All use of Dialog Semiconductor products, software and applications referred to in this document are subject to [Dialog Semiconductor's Standard Terms and Conditions of Sale](#), available on the company website (www.dialog-semiconductor.com) unless otherwise stated.

Dialog and the Dialog logo are trademarks of Dialog Semiconductor plc or its subsidiaries. All other product or service names are the property of their respective owners.

© 2018 Dialog Semiconductor. All rights reserved.

RoHS Compliance

Dialog Semiconductor's suppliers certify that its products are in compliance with the requirements of Directive 2011/65/EU of the European Parliament on the restriction of the use of certain hazardous substances in electrical and electronic equipment. RoHS certificates from our suppliers are available on request.

Contacting Dialog Semiconductor

United Kingdom (Headquarters)
Dialog Semiconductor (UK) LTD
Phone: +44 1793 757700

Germany
Dialog Semiconductor GmbH
Phone: +49 7021 805-0

The Netherlands
Dialog Semiconductor B.V.
Phone: +31 73 640 8822

Email
info_pcbg@diasemi.com

North America
Dialog Semiconductor Inc.
Phone: +1 408 845 8500

Japan
Dialog Semiconductor K. K.
Phone: +81 3 5769 5100

Taiwan
Dialog Semiconductor Taiwan
Phone: +886 281 786 222

Web site:
www.dialog-semiconductor.com

Hong Kong
Dialog Semiconductor Hong Kong
Phone: +852 2607 4271

Korea
Dialog Semiconductor Korea
Phone: +82 2 3469 8200

China (Shenzhen)
Dialog Semiconductor China
Phone: +86 755 2981 3669

China (Shanghai)
Dialog Semiconductor China
Phone: +86 21 5424 9058