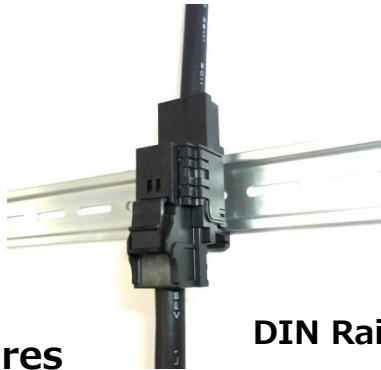




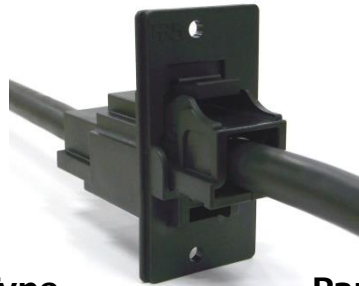
# EF1 Series

MKT-E-12014F\_1

## Simple Assembly In-Line Power Connector Up to 160A



**DIN Rail Mount Type**



**Panel Mount Type**

### ◆ Features

1. Crimp contact turns into a connector by just inserting into the housing
2. Quick and secure snap-in lock, no retightening of screw
3. Supports 160A\* Max. by using 38mm<sup>2</sup> conductor size cable
4. Selectable mounting type; Attachable to DIN rail or panel
5. Easy crimp termination with market commodity tool
6. 4 types of mating keys available
7. Will be UL, TÜV certified
8. RoHS compliant

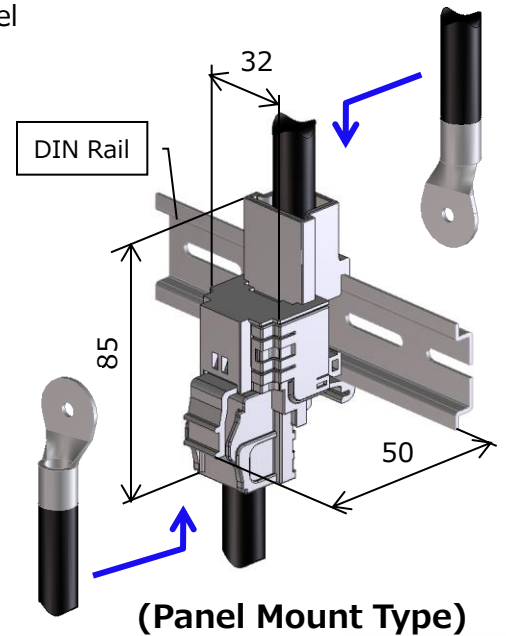
\*Ambient temperature 25°C

### ◆ Specifications

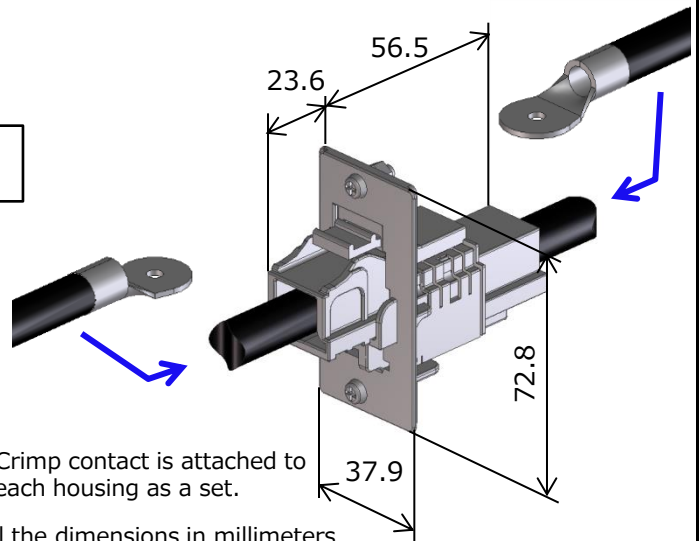
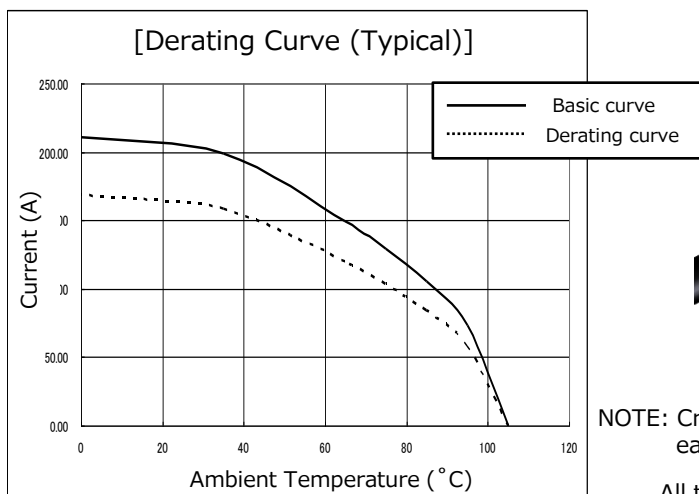
Rated Current	160A (38mm <sup>2</sup> wire conductor size cable, Ambient temperature 25°C)
Rated Voltage	1000V AC/DC (Ambient temperature 25°C) 600V AC/DC (UL, TÜV)
Operating Temperature Range	- 25°C to + 105°C
Contact Resistance	0.5mΩ MAX. [DC 1A]
Insulation Resistance	1000MΩ MIN. [DC 500V]
Withstanding Voltage	AC 3310V for 1 minute
Durability	30 times

### ◆ Dimensions

(DIN Rail Mount Type)



### ◆ High Current Capability



Specifications herein are subject to change without notice. Please contact Hirose for the latest specifications, drawings and availabilities.