



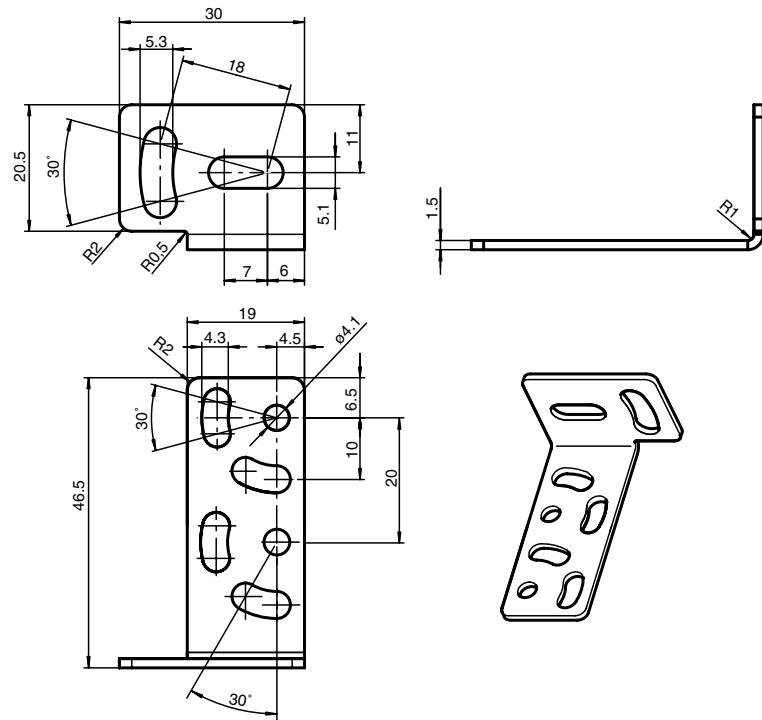
CE

Model Number**OMH-MLV12-HWG**

Mounting bracket for series MLV12 sensors

Features

- Mounting bracket
- Simple and fast mounting

Dimensions**Technical data****Mechanical specifications**

Material	nickel-plated steel
Mass	approx. 15 g

Suitable series

Series	MLV12
Safety Series	SL12, SLA12