

S & SE Series, Sealed & Unsealed, THT & SMT

Features

- Sealed or unsealed
- Straight or right angle
- Through hole or surface mount
- Bulk or tape and reel packaged
- Compact size
- Double pole function in a single pole body
- PC retention feature
- High reliability contact system
- Epoxy sealed base
- Robust actuator for easy actuation
- Non shorting-break-before-make



Slide Switches

Typical performance characteristics

Contact rating, 0.4 VA @ 20 VDC or Peak AC (shorting)
 Contact rating, max 50 mA @ 48 VAC/DC
 Contact rating, min 1 microamp @ 20 millivolt AC/DC
 Electrical life. 10,000 cycles
 Mechanical life. 10,000 cycles
 Contact resistance, initial max 50 mOhm, 100 mOhm (after test)
 Insulation resistance min 500 MOhm
 Dielectric strength 500 VAC for 1 min
 Actuation force 0.70 to 50.0 N (70 to 500 gf)
 Actuator travel 2.20 mm (.087) average

Environmental specification

Operating temperature -20 to +80°C
 Storage temperature -40 to +80°C
 Solder heat resistance 265°C/10s wave or 260°C/10s reflow

Material specifications

Contacts copper alloy gold finish
 Actuator nylon
 Terminals copper alloy gold finish
 Base. nylon
 Frame. copper alloy tin finish
 Seal silicon rubber
 RoHS Directive 2002/95/EC compliant

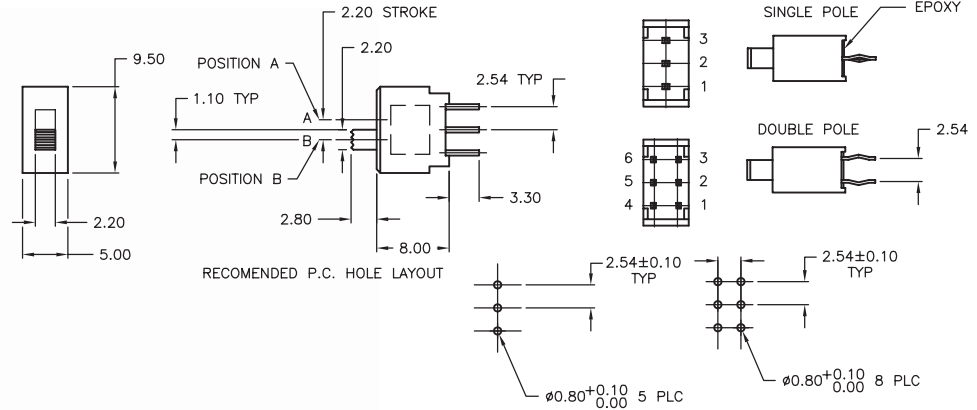
Product key		Typical product key		S	E	1	DG	SMT	TR	04
Type										
S	Slide switch, through hole and surface mount									
Seal										
blank	unsealed	E	sealed							
No of poles										
1	single pole	2	double pole							
No of throws										
G	single throw									
DG	double throw									
EG	triple throw									
Terminal										
PC	through hole THT, vertical				RA	through hole THT, right angle				
SMT	surface mount SMT									
Packaging										
blank	tray				TR	tape & reel				
Material										
04	RoHS compliant									

S & SE Series, Sealed & Unsealed, THT & SMT (Continued)

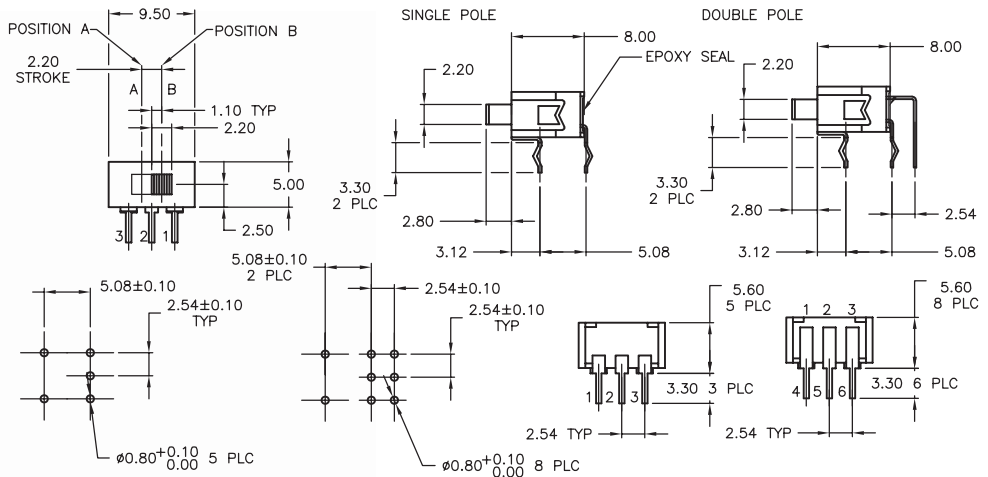
Terminal



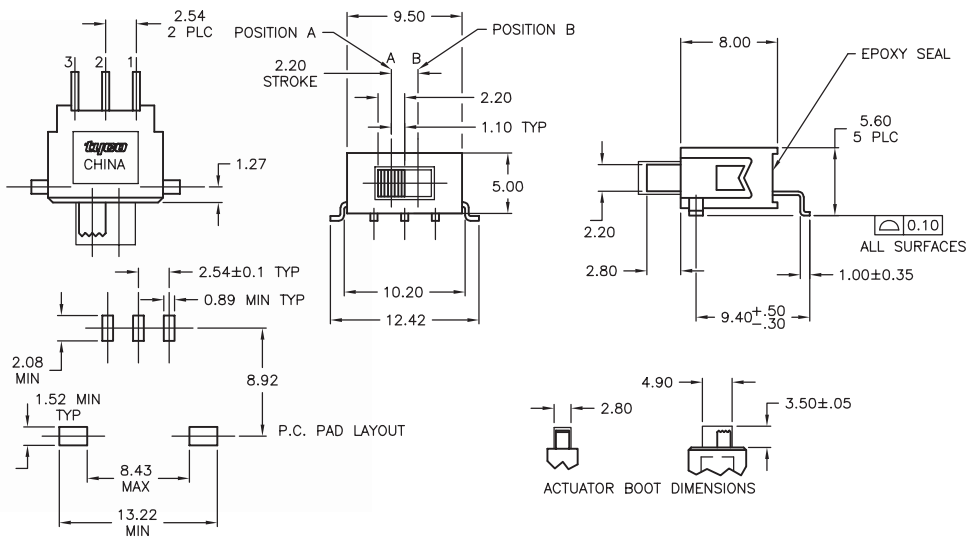
PC through hole THT, vertical



RA through hole THT, right angle



SMT surface mount, SMT



S & SE Series, Sealed & Unsealed, THT & SMT (Continued)

Function

Code	Poles	Throws	■	■	■
1G	single	single	Off	None	On 1 - 3
1DG		double	On 2 - 3	None	On 1 - 2
1EG		triple	On 2 - 3	Off	On 1 - 2
2DG	double	double	On 2 - 3 5 - 6	None	On 1 - 2 4 - 5
2EG		triple	On 2 - 3 5 - 6	Off	On 1 - 2 4 - 5

Off mechanical position, no electrical connection
 None no mechanical position

Product key	Seal	No of poles	No of throws	Terminal	Packaging	Material	Part Number
S1DGPC04	unsealed	single pole	double throw	THT vertical	tray	RoHS compliant	5-1571005-1
S1DGRA04				THT right angle			5-1571006-1
S1EGPC04				triple throw			THT vertical
S1EGRA04		THT right angle	5-1571006-2				
S2DGPC04		double pole	double throw	THT vertical		5-1571005-3	
S2DGRA04				THT right angle	5-1571006-3		
S2EGPC04	sealed	single pole	double throw	triple throw	tray		5-1571005-4
S2EGRA04				THT vertical			5-1571006-4
SE1DGPC04				THT right angle			1825032-1
SE1DGRA04		THT vertical	1825031-1				
SE1DGSMT04		THT right angle	5-1571004-3				
SE1DGSMTTR04		SMT	5-1571004-6				
SE1EGPC04			triple throw	THT vertical	tray		1825032-2
SE1EGRA04				THT right angle			1825031-2
SE1EGSMT04				SMT			5-1571004-2
SE1EGSMTTR04			tape&reel	5-1571004-5			
SE1GSMT04			single throw	tray	5-1571004-1		
SE1GSMTTR04				tape&reel	5-1571004-4		
SE2DGPC04		double pole	double throw	THT vertical	tray		1825032-3
SE2DGRA04				THT right angle			1825031-3
SE2EGPC04		triple throw	THT vertical	1825032-4			
SE2EGRA04			THT right angle	1825031-4			

Preferred parts in bold print