

Tous droits strictement réservés. Reproduction ou communication a des tiers interdite sous quelque forme que ce soit sans autorisation écrite du propriétaire. Property of FCI. Droits de reproduction FCI.

**FCI**

ALL rights strictly reserved. Reproduction or issue to third parties in any form whatever is not permitted without written authority from the proprietor. Property of FCI. Copyright FCI.

REFERENCE SPECIFICATIONS

-NFC 93425 (in compliance with HE 507)

PHYSICAL CHARACTERISTICS

- INSULATOR MATERIAL: THERMOPLASTIC / STANDARD MATERIAL
- CONTACT MATERIAL: PHOSPHOR BRONZE (FEMALE SIGNAL CONTACT )  
BRASS (PIN SIGNAL CONTACT )  
BRASS (POWERS CONTACT)
- ACCESSORIES: BRASS TIN LEAD OVER NICKEL
- SHELLS: STEEL BRIGHT TIN LEAD

ELECTRICAL CHARACTERISTICS

- NOMINAL CURRENT: 7.5A (STANDARD CONDITIONS)
- CONTACT RESISTANCE: <7.3mΩ
- CONTACT/CONTACT : >=1000 V
- CONTACT/GROUND : >=1200 V
- INSULATION RESISTANCE: >=5000 MΩ

ENVIRONMENTAL CHARACTERISTICS

- CLIMATIC CATEGORY: 55/125/21  
TEMPERATURE RANGE -55°C TO +125°C  
DAMP HEAT STEADY STATE 21 DAYS  
SALT SPRAY 24 HOURS

MECHANICAL CHARACTERISTICS

- RETENTION AGAINST TORQUE: - Threaded insert: 0.7 N.m minimum  
- Female screw lock: 0.5 N.m minimum

CONTACT PLATING FOR TIN LEAD VERSION

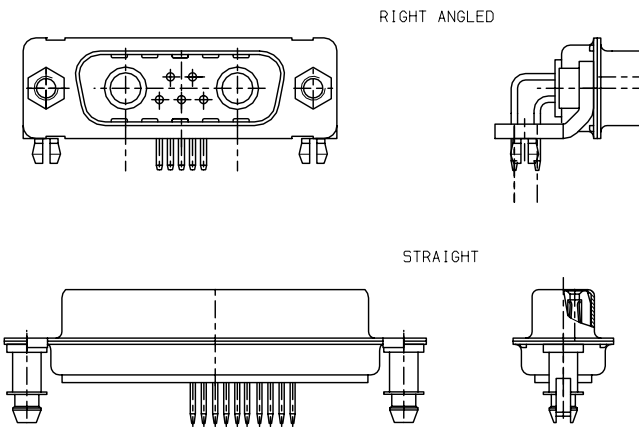
- SIGNAL CONTACT:  
- GOLD OVER NICKEL ON MATING AREA
- TIN LEAD OVER NICKEL ON TERMINATION PARTS

CONTACT PLATING FOR LEAD FREE VERSION

NOTE RoHS INFORMATION

- The "LF" products meet european union Directives and other country regulations as described in 65-22-008.
- The housing will withstand exposure to 260°C peak temperature for 3.5 seconds in a wave solder application with a 1.6mm minimum thick circuit board. See application notes/procedures if they are available.
- Termination plating spec:  
- Signal contacts: Ni + Gold  
- Shell plating : 2 to 4µmCu + 3 to 10µm Sn (pure bright)  
- Accessories: Sn pure bright
- Packaging spec: See 65-14-920

		ACCESSORIES
500 Mating/unmating - gold contact area	D*****43***	∅3.10
200 Mating/unmating - gold contact area	D*****00***	
500 Mating/unmating - gold contact area	D*****43***	PCB HOLE tin lead
200 Mating/unmating - gold contact area	D*****00***	
PROTECTION	PART NUMBER	



ltr	ecn no	dr	date
A	L505-0039	LG0	02/05/05
-	-	-	-
-	-	-	-
-	-	-	-
-	-	-	-
-	-	-	-
-	-	-	-

<b>FCI</b> www.fciconnect.com		ISO 1302	tolerance ISO 406 ISO 1101	projection 	mm 
Dr	GOISNARD	02/05/05	Product family	D-SUB	size
Eng	PESSON	02/05/05	Spec ref	-	Scale
Chr	LEGARE	02/05/05	Material	-	ECN
Appr	LEGARE	02/05/05			L505-0039
title			SUB RA & STRAIGHT		dwg no
title			GENERAL CHARACTERISTICS		
catalog no			- CUSTOMER COPY		sheet 1 of 1
			C01-8639-0003		Rev. A