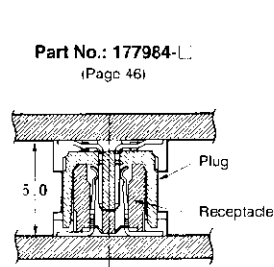


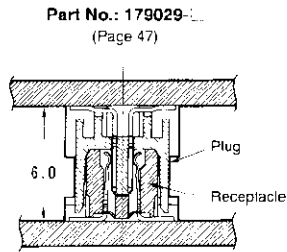


0.8mm Free Height (FH) Connectors (Continued)

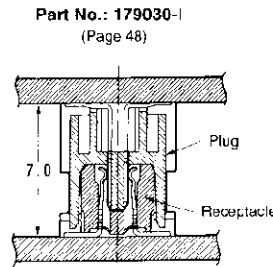
Board-to-Board Stacking Heights (By Plug/Receptacle Combinations)



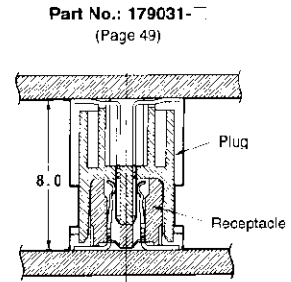
Part No.: 177984-L
(Page 46)
5 [.197] Stacking Height



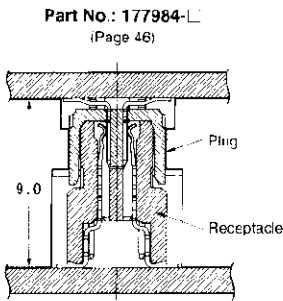
Part No.: 179029-L
(Page 47)
6 [.236] Stacking Height



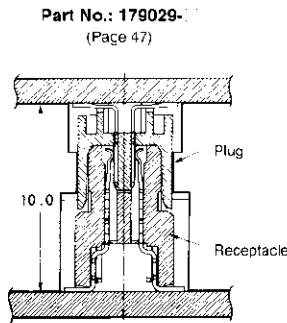
Part No.: 179030-L
(Page 48)
7 [.276] Stacking Height



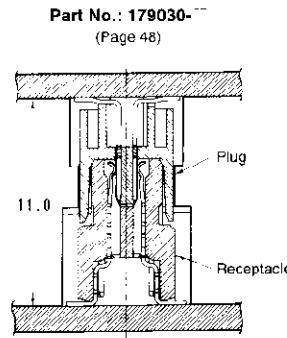
Part No.: 179031-L
(Page 49)
8 [.315] Stacking Height



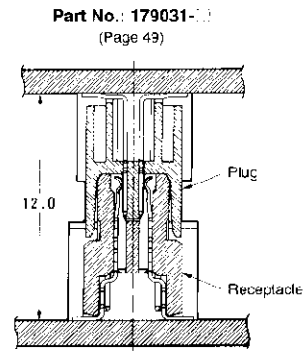
Part No.: 177984-L
(Page 46)
9 [.354] Stacking Height



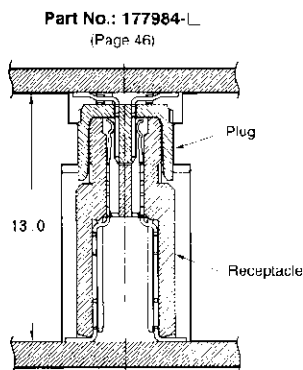
Part No.: 179029-L
(Page 47)
10 [.394] Stacking Height



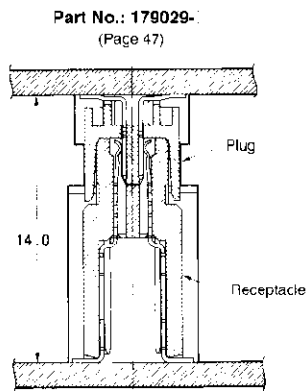
Part No.: 179030-L
(Page 48)
11 [.433] Stacking Height



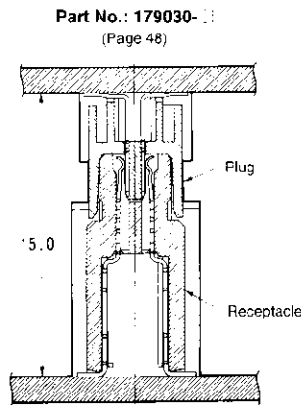
Part No.: 179031-L
(Page 49)
12 [.472] Stacking Height



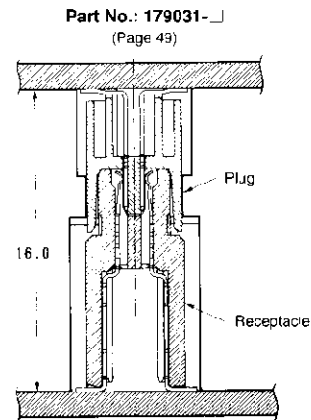
Part No.: 177984-L
(Page 46)
13 [.512] Stacking Height



Part No.: 179029-L
(Page 47)
14 [.551] Stacking Height



Part No.: 179030-L
(Page 48)
15 [.591] Stacking Height



Part No.: 179031-L
(Page 49)
16 [.630] Stacking Height

Note: For specific dash nos. of sizes 40 to 200 positions (in 20-position increments), see pages 46 thru 52.

0.8mm FH Connectors