



# ASSEMBLY INSTRUCTION

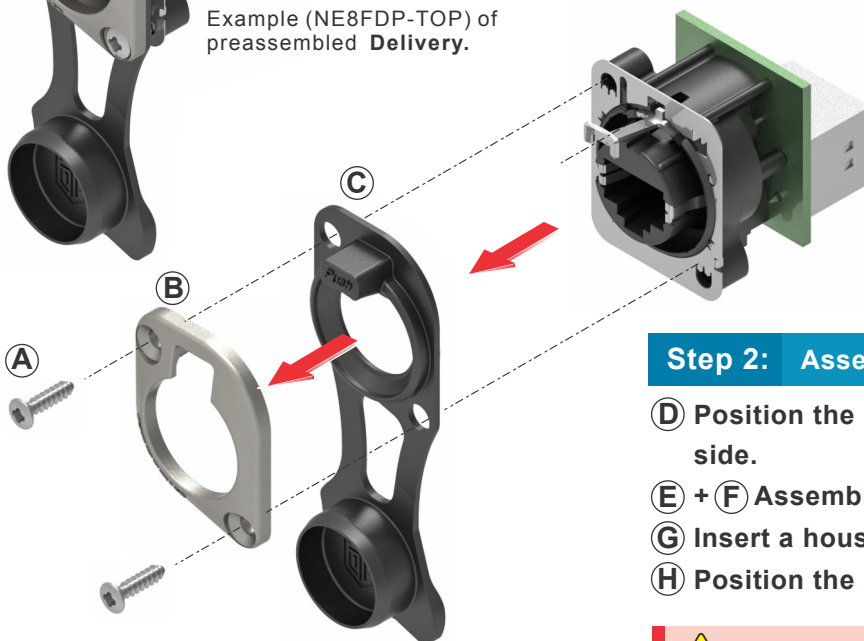
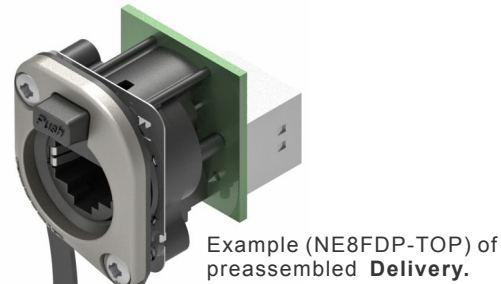
## etherCON® TOP | NE8FDV-TOP, NE8FDP-TOP NE8FDH-C5E-TOP

IP65 RATED AND UL50E APPROVED.

Panel thickness:  
2.0 - 4.0 mm [0.079 - 0.157"]

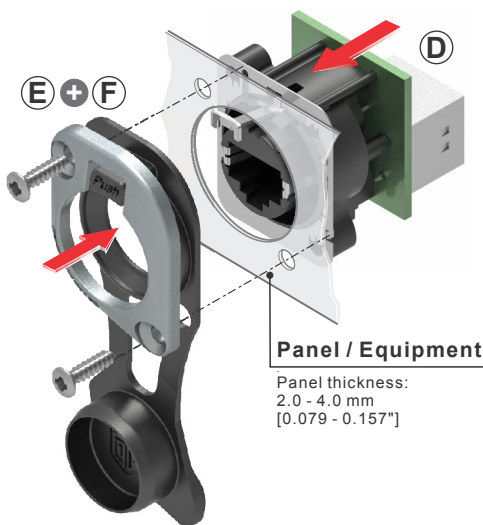
### Step 1: Separate the connector

- (A) Untighten the screw.
- (B) Remove flange
- (C) and gasket.



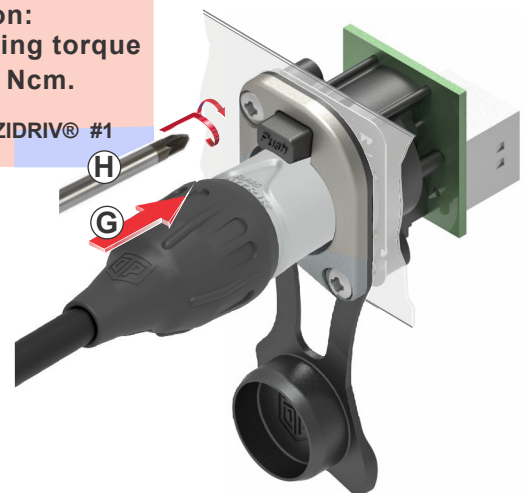
### Step 2: Assembly

- (D) Position the receptacle onto the panel from rear side.
- (E) + (F) Assemble flange and rubber gasket together.
- (G) Insert a housing for CENTERING the kit.
- (H) Position the screw and fasten it.



**⚠ Attention:**  
Tightening torque  
 $M_A = 40 \text{ Ncm}$ .

POZIDRIV® #1



**NOTE:** Lubricate sealing lip with silicon from time to time.

|                        |             |                       |                     |                         |     |                      |                     |
|------------------------|-------------|-----------------------|---------------------|-------------------------|-----|----------------------|---------------------|
| NEUTRIK AG             | LI          | T: +423/237 24 24     | F: +423/232 53 93   | NEUTRIK France          | FR  | T: +33 1/4131 6750   | F: +33 1/4131 0511  |
| NEUTRIK USA Inc.       | USA         | T: +1 704 / 972 3050  | F: +1 704/438 9202  | NEUTRIK Tokyo Ltd.      | JP  | T: +81 3/3663 4733   | F: +81 3/3663 4796  |
| NEUTRIK (UK) Ltd.      | UK          | T: +44 1983 / 811 441 | F: +44 1983/811 439 | NEUTRIK Hong Kong Ltd.  | HK  | T: +852/2687 6055    | F: +852/2687 6052   |
| NEUTRIK Vertriebs GmbH | DE/NL/AT/DK | T: +49 8131 / 280 890 | F: +49 8131/280 830 | NEUTRIK India Pvt. Ltd. | IND | T: +91/982 05 43 424 | F: +91/22 26163 540 |

Draft. Nr.: BDA 551 | Update: 25.07.2018 | Data subject to change without prior notice. ©2018 NEUTRIK®. ALL RIGHTS RESERVED. NEUTRIK® is a registered trademark.