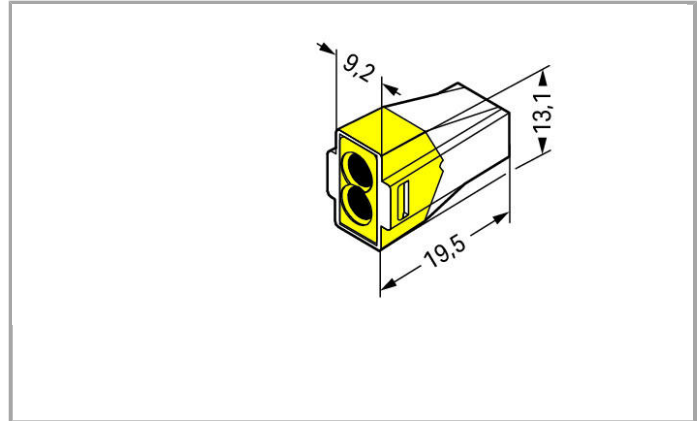


**Data sheet | Item number: 773-102**

PUSH WIRE® connector for junction boxes; 2-conductor; bulk packaging;  
transparent housing; yellow face



[www.wago.com/773-102](http://www.wago.com/773-102)



**Data**

**Electrical data**

**Ratings per IEC/EN 60664-1**

Rated voltage (II / 2)	400 V
Rated impulse voltage (II / 2)	4 kV
Rated current	24 A

**Connection data**

Connection technology	PUSH WIRE®
Actuation type	Push-in
Connectable conductor materials	Copper Aluminum
Solid conductor	0.75 ... 2.5 mm <sup>2</sup> / 18 ... 12 AWG

Stranded conductor	1.5 ... 2.5 mm <sup>2</sup> / 16 ... 12 AWG
Strip length	12 mm / 0.47 inch
Total number of connection points	2
Total number of potentials	1
Type of wiring	Side-entry wiring
Leiterquerschnitte eindrätig	0.75 mm <sup>2</sup>

### Geometrical Data

Width	9.2 mm / 0.362 inch
Height	13.1 mm / 0.516 inch
Depth	19.5 mm / 0.768 inch
Plug width	9.2 mm / 0.362 inch

### Material Data

Color	yellow
Cover color	yellow
Flammability class per UL94	V2
Fire load	0.035 MJ
Weight	1.56 g

### Commercial data

Product Group	7 (Push Wire Conn.)
Country of origin	CN
GTIN	4044918397537

### Approvals / Certificates

#### Country specific Approvals

Logo	Approval	Certificate name
	CSA DEKRA Certification B.V.	1053495
	ÖVE Österreichischer Verband für Elektrotechnik	1193-031-09

#### Ship Approvals

Logo	Approval	Certificate name
	ABS American Bureau of Shipping	18-HG1755093-PDA

	<b>BV</b> Bureau Veritas S.A.	11914/C0 BV
	<b>LR</b> Lloyds Register	04/20013 (E4)
<b>UL-Approvals</b>		
Logo	Approval	Certificate name
	<b>UL</b> UL International Germany GmbH	E69654
	<b>UL</b> UL International Germany GmbH	D-03479-A1

### Compatible products

#### General accessories

<b>Item no.: 249-130</b> Syringe; Contents: 20 ml Alu-Plus contact paste	<a href="http://www.wago.com/249-130">www.wago.com/249-130</a>
-----------------------------------------------------------------------------	----------------------------------------------------------------

#### Mounting adapter

<b>Item no.: 773-332</b> Mounting carrier; 773 series PUSH WIRE® connectors for junction boxes; orange	<a href="http://www.wago.com/773-332">www.wago.com/773-332</a>
-----------------------------------------------------------------------------------------------------------	----------------------------------------------------------------

Subject to changes.