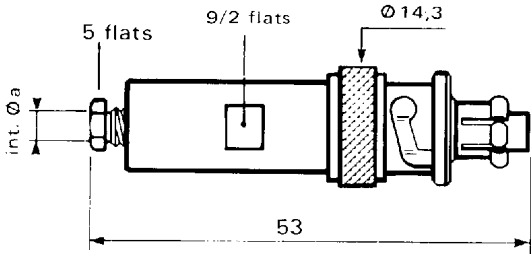


SHV series

CODE No.	STYLE	Cable group Ω	max. \varnothing_a	Assembly code	Panel piercing	Weight (g)
----------	-------	----------------------	----------------------	---------------	----------------	------------

STRAIGHT PLUGS



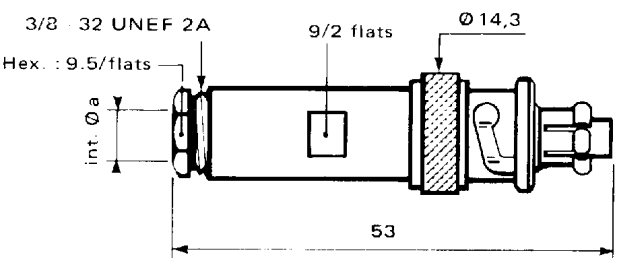
R 317 003*

Cable clamp - captive contact

2,6/50 + 75

3

26



R 317 005

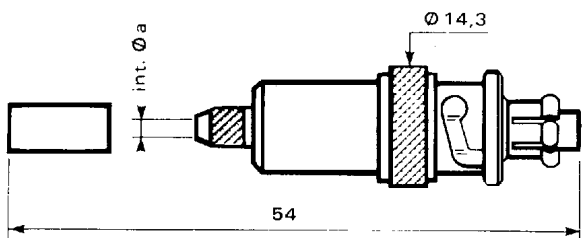
Cable clamp - captive contact

5/50

5,6

K13-68

25



R 317 071*

Crimp - Nuclear radiation resistant

5/50 S.SCR.

5,5

K43-75A

R 317 072

Crimp

5/50 S.SCR

5,5

K43-75A

21

R 317 074

Crimp

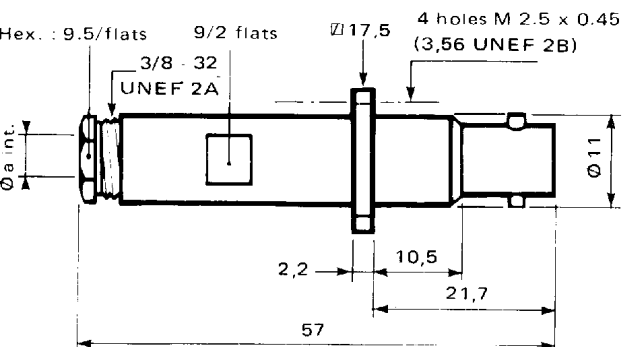
6/75

6,6

K43-75A

21

STRAIGHT JACKS



R 317 255

Square flange - cable clamp captive contact

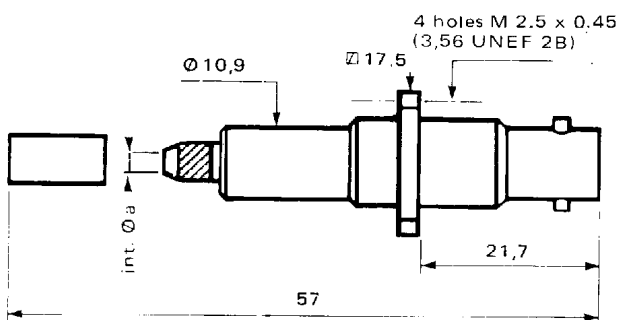
5/50

5,6

K13-68

a14

25



R 317 270

Square flange - crimp

5/50 S.SCR

5,5

K43-75A

a14

22