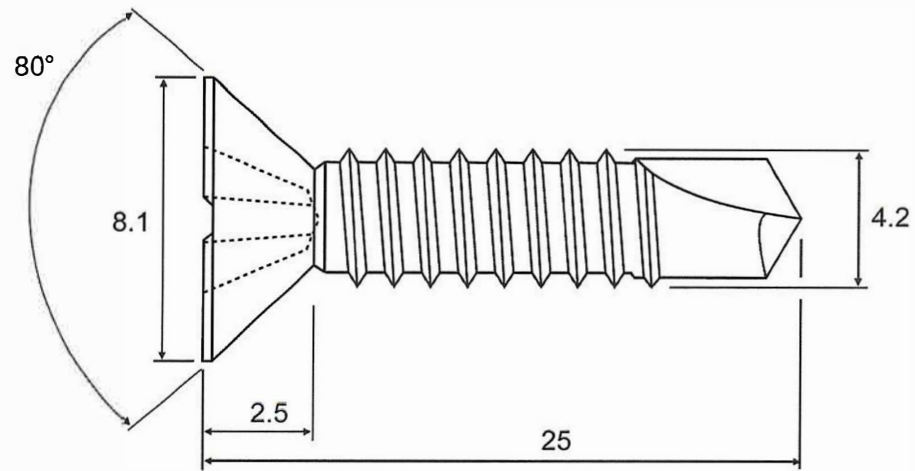
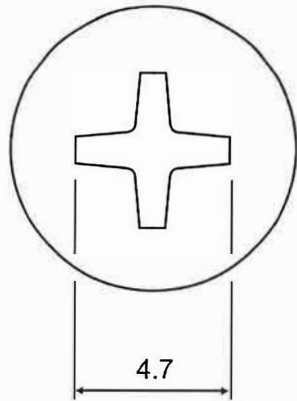


⊕ PH2



4.2mm x 25mm Countersunk Head Cross Recess H Drive Self Drilling Screw

DIN 7504P ~ISO 15482

Material	Steel	Customer Part No.	FN04008
Finish	Zinc & Clear Cr3 De-embrittled	Web Ref No	FN04008

UNCONTROLLED COPY FOR REFERENCE ONLY DO NOT SCALE  
UNLESS OTHERWISE SPECIFIED : DIMENSIONS ARE IN MILLIMETERS