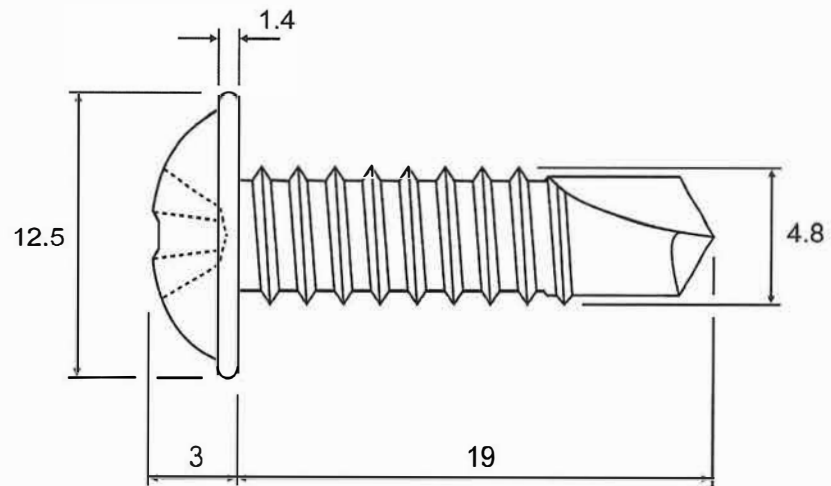
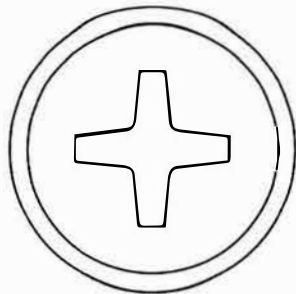


PH2



4.8mm x 19mm Flange Head Cross Recess H Drive Self Drilling Screw

~DIN 7504

Material

Steel

Customer Part No.

FN04017

Finish

Zinc & Clear Cr3 De-embrittled

Web Ref No

FN04017

UNCONTROLLED COPY

FOR REFERENCE ONLY

DO NOT SCALE

UNLESS OTHERWISE SPECIFIED : DIMENSIONS ARE IN MILLIMETERS