

PLEASE CHECK WWW.MOLEX.COM FOR LATEST PART INFORMATION

Part Number: **5017833009**
Status: **Active**
Description: 0.50mm Pitch FFC-to-Board Connector Plug Jacket, 30 Circuits

Documents:

3D Model	Application Specification 5017832000-A00 (PDF)
Drawing (PDF)	Packaging Specification SPK-501783-001-001 (PDF)
Product Specification PS-501786-004-001 (PDF)	RoHS Certificate of Compliance (PDF)
Product Specification PS-501864-004-001 (PDF)	

Agency Certification

UL E29179

General

Product Family	Accessories
Series	501783
Comments	Requires a custom FFC with notches, Requires a custom FFC with notches
Component Type	Jacket
Product Name	Easy-On
UPC	822350663328

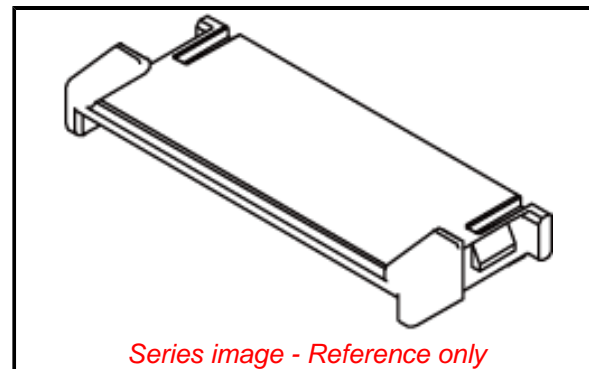
Physical

Circuits (Loaded)	30
Circuits (maximum)	30
Color - Resin	Black
Flammability	94V-0
Gender	Plug
Material - Resin	Polyester
Net Weight	237.400/mg
Packaging Type	Bag
Polarized to Mating Part	Yes
Temperature Range - Operating	-40° to +105°C

Material Info

Reference - Drawing Numbers

Application Specification	5017832000-A00
Packaging Specification	SPK-501783-001-001
Product Specification	PS-501786-004-001, PS-501864-004-001
Sales Drawing	SD-501783-004



EU ELV

Not Relevant

EU RoHS

Compliant

REACH SVHC

Not Contained Per
-ED/88/2018 (15
January 2019)

Halogen-Free

Status

Not Low-Halogen

For more information, please visit [Contact US](#)

China ROHS

ELV

RoHS Phthalates

China RoHS

Green Image

Not Relevant

Not Contained

Search Parts in this Series

[501783 Series](#)

Use With

[501786](#) FFC-to-Board Connector, [501864](#)
FFC-to-Board Connector, [501784](#) Plug
Jacket Cover