

PLEASE CHECK WWW.MOLEX.COM FOR LATEST PART INFORMATION

Part Number: [1045216001](#)
Status: **Active**
Overview: [IllumiMate Connector System](#)
Description: IllumiMate 1.25mm Wire-to-Board Connector, Receptacle Terminal, Pre-plated, Tin (Sn)

Documents:

[Drawing \(PDF\)](#) [Packaging Specification PK-104521-001-001 \(PDF\)](#)
[Product Specification PS-104091-001-001 \(PDF\)](#) [RoHS Certificate of Compliance \(PDF\)](#)

General

Product Family Crimp Terminals
Series [104521](#)
Application Signal, Wire-to-Board
Crimp Quality Equipment Yes
Overview [IllumiMate Connector System](#)
Product Name IllumiMate
UPC 884982508835

Physical

Durability (mating cycles max) 30
Gender Female
Material - Metal Phosphor Bronze
Material - Plating Mating Tin
Material - Plating Termination Tin
Net Weight 0.028/g
Packaging Type Reel
Termination Interface: Style Crimp or Compression
Wire Insulation Diameter 0.95mm max.
Wire Size AWG 26, 32
Wire Size mm² N/A

Electrical

Current - Maximum per Contact 1.5A
Voltage - Maximum 250V

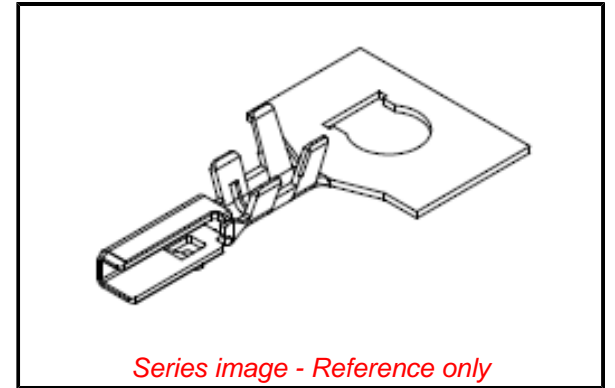
Solder Process Data

Lead-freeProcess Capability N/A

Material Info

Reference - Drawing Numbers

Crimp Specification CS-104521-001-001
Packaging Specification PK-104521-001-001
Product Specification PS-104091-001-001
Sales Drawing SD-104521-001



EU ELV

Not Relevant

EU RoHS

Compliant

REACH SVHC

Not Contained Per
-ED/88/2018 (15
January 2019)

Halogen-Free

Status

Low-Halogen

For more information, please visit [Contact US](#)

China ROHS

ELV

RoHS Phthalates

China RoHS

Green Image

Not Relevant

Not Contained

Search Parts in this Series

[104521](#) Series

Use With

IllumiMate Housings [104092](#) , [104105](#)

Application Tooling | [FAQ](#)

Tooling specifications and manuals are found by selecting the products below. Crimp Height Specifications are then contained in the Application Tooling Specification document.

Global

Description

Product #

Hand Crimp Tool for [638272300](#)

IllumiMate 1.25mm

Wire-to-Board Crimp

Terminals