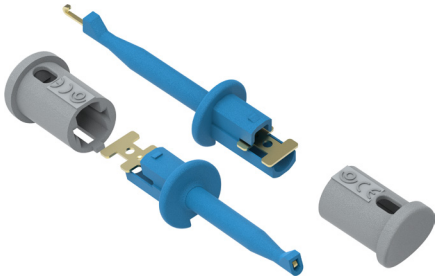


Professional Mini Hook Clip with Solder Wire Attachment



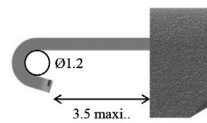
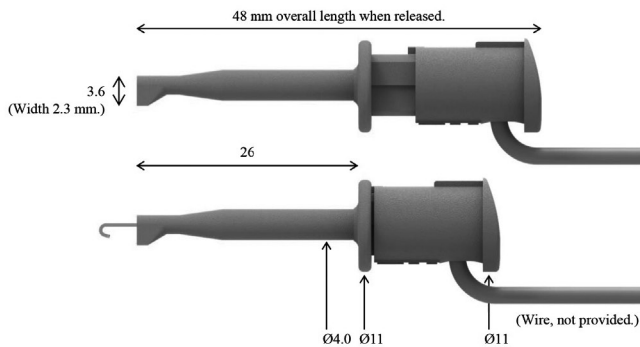
RoHS
Compliant



Specification

Voltage Rating	: 30V AC / 60V DC, 6A (at +40°C)
Operating Temperature Range	: -20°C to +80°C
Materials	: Gold-coated brass for conductors
Colour	: Black, Red, Yellow, Green, Blue, White, Brown, Purple, Grey and Orange (The colour of the button is always grey.)
Weight	: 0.002kg

Diagram



The hook fits to 1.2mm diameter round pins and 0.9mm × 0.9mm square pins. The gold plating prevents oxidation and keeps good electrical conductance.

Dimensions : Millimetres

Part Number Table

Description	Insulator Colour	Part Number	Description	Insulator Colour	Part Number
Professional Mini Hook Clip, 30V AC/60V DC, 6A	White	72-14324	Professional Mini Hook Clip, 30V AC/60V DC, 6A	Black	72-14334
	Blue	72-14326		Orange	72-14336
	Brown	72-14328		Red	72-14338
	Grey	72-14330		Green	72-14340
	Yellow	72-14332		Purple	72-14342

Important Notice : This data sheet and its contents (the "Information") belong to the members of the AVNET group of companies (the "Group") or are licensed to it. No licence is granted for the use of it other than for information purposes in connection with the products to which it relates. No licence of any intellectual property rights is granted. The Information is subject to change without notice and replaces all data sheets previously supplied. The Information supplied is believed to be accurate but the Group assumes no responsibility for its accuracy or completeness, any error in or omission from it or for any use made of it. Users of this data sheet should check for themselves the Information and the suitability of the products for their purpose and not make any assumptions based on information included or omitted. Liability for loss or damage resulting from any reliance on the Information or use of it (including liability resulting from negligence or where the Group was aware of the possibility of such loss or damage arising) is excluded. This will not operate to limit or restrict the Group's liability for death or personal injury resulting from its negligence. TENMA is the registered trademark of Premier Farnell Limited 2019.

Newark.com/exclusive-brands
Farnell.com/exclusive-brands
Element14.com/exclusive-brands

