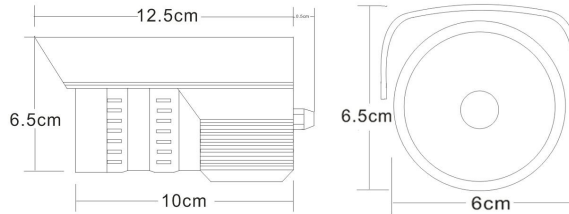


Weatherproof IR Bullet Camera Model: 82-20190



- Φ 5:36pcs IR Led.
- IP66 Weatherproof Standard.
- Effective Viewing Distance: 30M.
- Built-in 3.6mm Fix Lens.
- Minimum illumination of 0.00 Lux (led on).
- Auto Tracking White Balance.
- OSD Cable With Menu To Adjust.
- Double Glass + Hoop Unique Design.
- With Metallic IR CUT.
- With Metal Bracket.

Physical Dimension

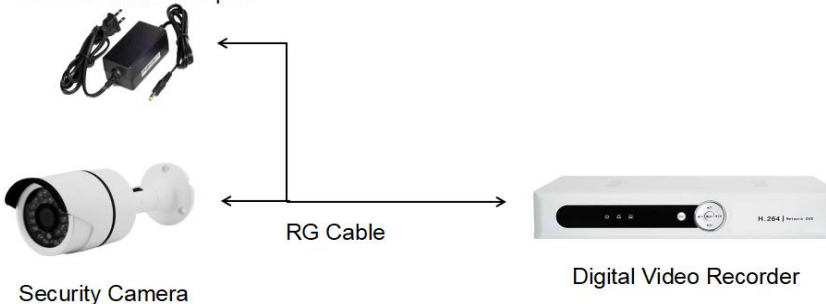


4 in 1 Series

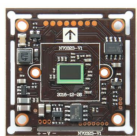
Model No.	82-20190
System	PAL / NTSC(Compatible With Both,Switch By OSD)
Image Sensor	1/4" CMOS
Chipset	7030+850
Resolution	700TVL
Pixel	P: 967(H)*494 , N: 960(H)*582(V)
Illumination	0.01 Lux/F1.2
LENS	Built-in 3.6mm Fix Lens
IR LED	Φ 5:36pcs IR Led,IR Distance 30 Meters
S/N Ratio	\geq 52dB
DNR	2D
Electronic Shutter	AUTO(1/53(63)~1/100,000);MANUAL:1/53(63),FL1/120(100),1/250,1/500,1/1,000,1/2,000,1/4,000,1/10,000 Seconds
White Balance	ATW/MANUAL
Gamma Ratio	\geq 0.45
Video output	1.0Vp-p, 75 Ω Composite, BNC x 1(Support AHD/TVI/CVI/CVBS)
AGC	AUTO(4 STEP)
Working Temp.	Outdoor: -10C to +50C
Humidity	0 to 95% RH (non-condensing)
Sync System	2:1 interlace internal Sync.
Voltage Input	12V DC 2A
Package Size	19.5CM*10.5CM*10CM
Weight	Appro x 0.70kgs(With Bracket)

Working Guide

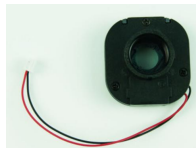
12V DC Power Adapter



Parts of Camera



PCB



IR CUT



LENS



Cable



Housing



IR LED

Installation Note:

- (1) Do not use this product falls on the ground or the strong tapping;
- (2) Unless the instructions, otherwise do not disassemble the machine itself;
- (3) Before use, please determine whether the power supply is 12V;
- (4) Aim to avoid strong light (such as sunlight, lighting, etc), otherwise easy to cause a bright or light phenomenon (this is not a fault), will also affect the Sensor life;
- (5) Avoid in damp, dusty, hot, cold, strong electromagnetic radiation, etc;
- (6) If found abnormal situation, please unplug the power and contact the supplier.
- (7) Lightning protection earth wire should be grounded to the nearest.