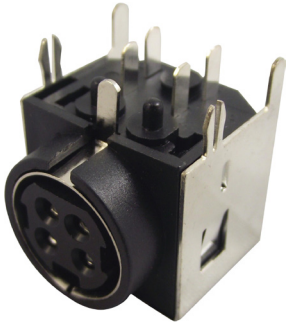


4 Pole DC Power R/A Jack - Shielded



Specifications

Connector Type : DC Power
 Gender : Jack
 No. of Pole : 4 Pole
 Termination Type : R/A - Through Hole

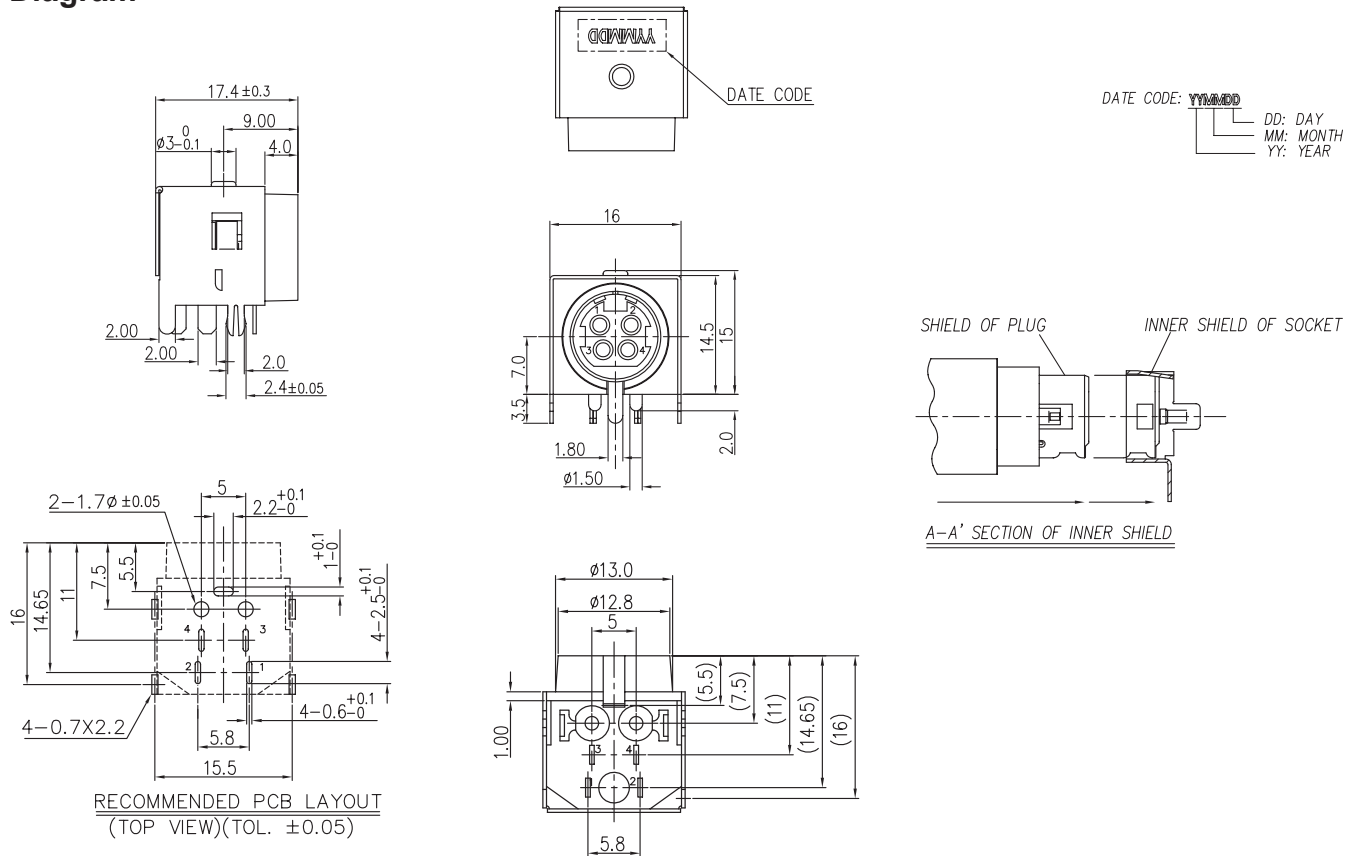
Electrical Specifications

Current Carrying Capacity : Pin 1 & 2, 20V DC @ 7.5A Max.
 Pin 3 & 4, 20V DC @ 7.5A Max.
 Operating Temperature : -40°C to 85°C
 Insertion Force : 4kg Max.
 Withdrawal Force : 0.5 ~ 3kg

Material Specifications

Body : Thermoplastic UL94V-0, Black
 Cover : Thermoplastic UL94V-0, Black
 Inner Shield : Brass, 0.4T Nickel Plating
 Outer Shield : Brass, 0.4T Tin Alloy Plating
 Contact Terminal : Phosphor Bronze, 0.3T Silver Plating

Diagram



Dimensions : Millimetres

4 Pole DC Power R/A Jack - Shielded

Part Number Table

Description	Part Number
4 Pole DC Power Jack, Shielded, R/A, TH	2MJ-0402A120

Important Notice : This data sheet and its contents (the "Information") belong to the members of the Premier Farnell group of companies (the "Group") or are licensed to it. No licence is granted for the use of it other than for information purposes in connection with the products to which it relates. No licence of any intellectual property rights is granted. The Information is subject to change without notice and replaces all data sheets previously supplied. The Information supplied is believed to be accurate but the Group assumes no responsibility for its accuracy or completeness, any error in or omission from it or for any use made of it. Users of this data sheet should check for themselves the Information and the suitability of the products for their purpose and not make any assumptions based on information included or omitted. Liability for loss or damage resulting from any reliance on the Information or use of it (including liability resulting from negligence or where the Group was aware of the possibility of such loss or damage arising) is excluded. This will not operate to limit or restrict the Group's liability for death or personal injury resulting from its negligence. Multicomp is the registered trademark of the Group. © Premier Farnell Limited 2016.

www.element14.com
www.farnell.com
www.newark.com

