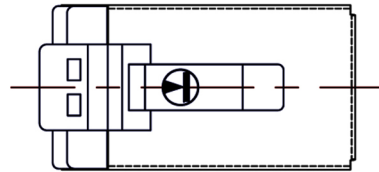
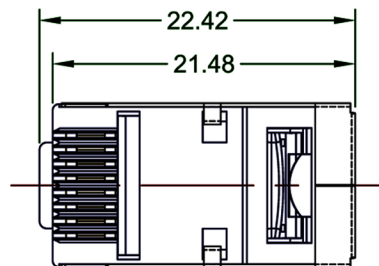
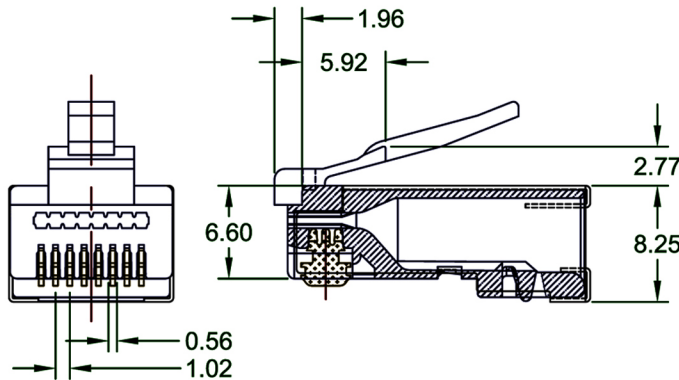
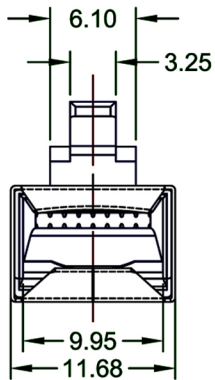


ROHS Compliant

Code: PXSPDY5S



1. Housing material: Polycarbonate
Flammability rating: UL 94V-0, RoHS Compliant
2. Contacts type: Three prong pin fits solid or stranded wires from 0.51 - 0.40mm (24 - 26 AWG)
3. Gold plating: 50 μ m/1.27 μ m
4. Packaging quantity: #500 = 500 pcs
#100 = 100 pcs
#10 = 10 pcs
5. Shielding: nickel-plated brass
6. Operating temperature: -10°C to 60°C
7. Suitable for cable O.D. 4.50 - 5.50mm



Three prongs pin
(not to scale)

