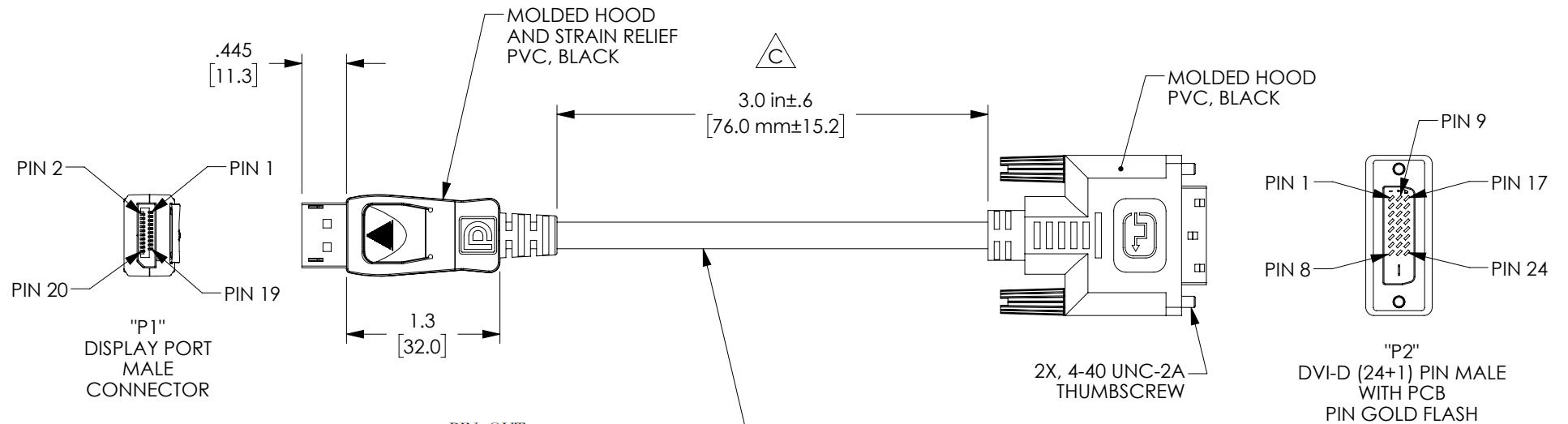
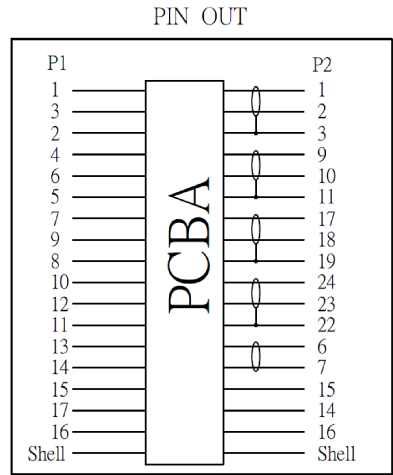


THE INFORMATION CONTAINED IN THIS DRAWING IS THE SOLE PROPERTY OF L-COM, INC. ANY REPRODUCTION IN PART OR WHOLE WITHOUT THE WRITTEN PERMISSION OF L-COM, INC. IS PROHIBITED.

REVISIONS			
REV	DESCRIPTION	DATE	APPROVED
A	INITIAL RELEASE	06/02/2017	BGATES
B	ECN 8970: REVISED DESCRIPTION FROM DVI TO DISPLAYPORT	11/15/2017	BGATES
C	ECN 9831: REVISE DIM 76.0 +/- 15.0 to 3.0 in +/- .6 in [76.0mm +/- 15.0mm]	04/29/2019	BGATES



UL 20276:  
 (5) INDIVIDUALLY SHIELDED TWISTED PAIR, 30AWG, WITH ALUM/POLY FOIL SHIELD WITH DRAIN WIRE.  
 (1) UNSHIELDED TWISTED PAIR, 30AWG.  
 (3) CONDUCTORS, 30AWG  
 OVERALL ALUM/POLY FOIL SHIELD AND COPPER BRAID SHIELD.  
 JACKET: BLACK



- NOTES:**
1. CABLE ASSEMBLY SHALL BE TESTED FOR CONTINUITY.
  2. VOLTAGE TEST: DC 300V 10ms  
 INSULATION RESISTANCE: 10.0 M ohm/MIN.  
 CONDUCTANCE RESISTANCE: 2.0 ohm/MAX.
  3. CABLE ASSEMBLY SHALL BE INDIVIDUALLY PACKAGED IN ACCORDANCE WITH L-COM SPECIFICATION PS-0031.

UNLESS OTHERWISE SPECIFIED, DIMENSIONS ARE IN INCHES [mm] OVERALL CABLE LENGTH TOLERANCE: ≤12 [305] = +1 [25] / -0 >12 [305] ≤60 [1524] = +2 [51] / -0 >60 [1524] ≤120 [3048] = +4 [102] / -0 >120 [3048] ≤300 [7620] = +6 [152] / -0 >300 [7620] = +5% / -0%	APPROVALS	DATE		50 HIGH STREET NORTH ANDOVER, MA 01845
	DRAWN BY RCLARK	06/02/2017		CATEGORY
ALL OTHER DIMENSIONAL TOLERANCES: .X = ± .2 [5.08] .XX = ± .02 [5.1] .XXX = ±.005 [1.3]	CHECKED BY BGATES	06/02/2017	PRODUCT DESCRIPTION	
PROJECTION	APPROVED BY BGATES	06/02/2017	DP M TO DVI M DONGLE	
	CONFIGURATION DETAILS OF UNDIMENSIONED FEATURES MAY VARY	COLOR VARIATIONS MAY OCCUR	SIZE <b>A</b>	FSCM NO. <b>43321</b>
			DWG. NO. DPC00003	REV. <b>C</b>
			SCALE: NONE	CAD FILE: DPC00003.SLDDRW
				SHEET 1 OF 1