



### General Specifications

#### Motor Protection:

Auto Restart/Polarity Protection

#### Insulation Resistance:

min 10M Ω by DC500V Megger

#### Dielectric Withstand Voltage: AC 700V 1s

#### Allowable Ambient Temperature Range:

-10°C ~ +60°C (Operating)

-40°C ~ +70°C (Storage)

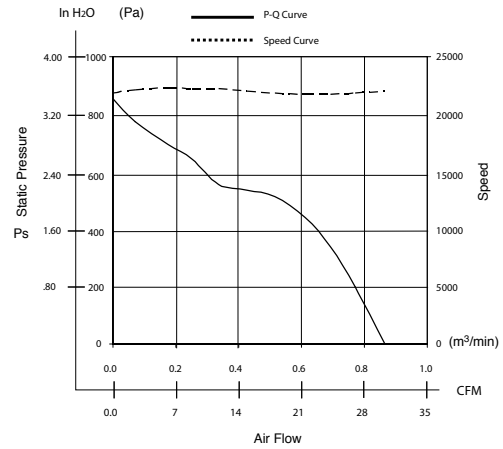
(non-condensing environment)

### Expected Life

#### Failure Rate: 10%

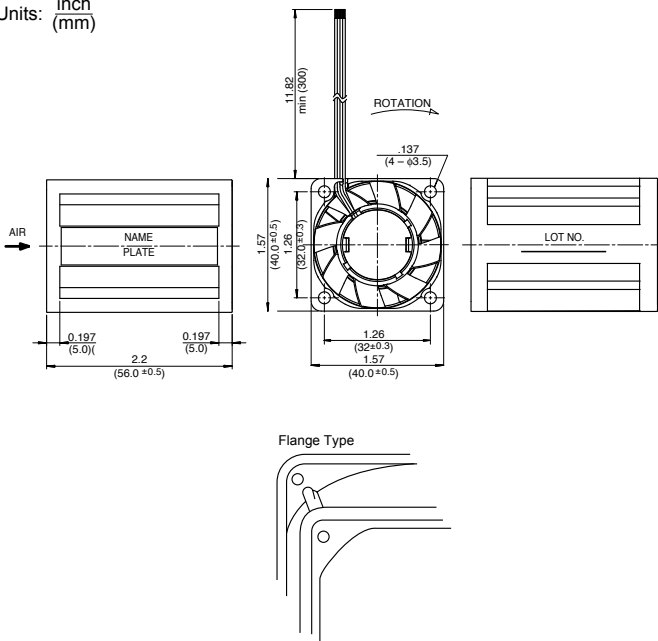
40°C 70,000 Hours

### Characteristic Curves



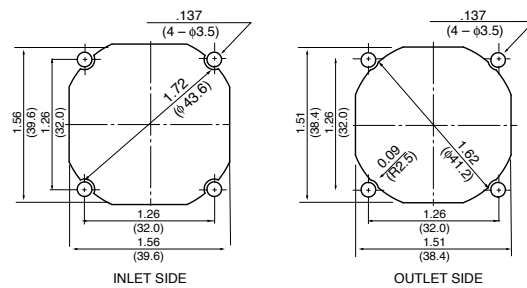
### Outline

Units: inch (mm)



### Panel Cut-outs

PATENT PENDING



### Material

Casing : Plastic (Black) 94V-0

Impeller : Plastic (Black) 94V-0

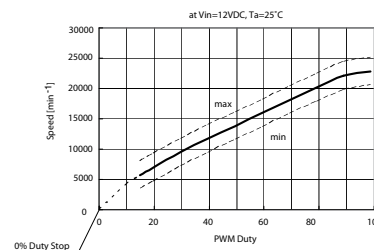
Bearing : Ball Bearing

Lead Wire : UL10368, AWG24, +Red, -Black

Tach Sig. : White

PWM Control : Brown

### Reference PWM Duty vs Speed Curve



### PWM Control Voltage

Vst = 0V ~ 0.5V Stop (On Duty 0%)  
 Vst = 3.0V ~ 5.0V Full Speed (On Duty 100%)  
 Vst = Open Full Speed  
 (At Ta = 25°C, rated voltage 12VDC)

### Specifications

MODEL	Product No.	Rated Voltage	Operating Voltage	Current	Input Power	Speed	Max. Air Flow		Max. Static Pressure		Noise	Mass
		(V)	(V)	(A) <sup>*1</sup>	(W) <sup>*1</sup>	(min <sup>-1</sup> ) <sup>*1</sup>	CFM <sup>*1</sup>	(m <sup>3</sup> /min) <sup>*1</sup>	in H <sub>2</sub> O	(Pa) <sup>*1</sup>	(dB) <sup>*1</sup>	(g)
1622FT-04W-B86-	EXX	12	10.2 ~ 13.2	1.05	12.60	23,000	30.0	0.85	3.54	885.0	60.0	68

Rotation: Clockwise

Airflow Outlet: Air Out Over Struts

\*1: Average Values in Free Air