

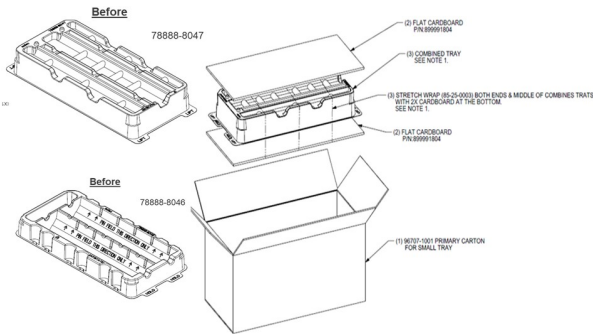


Product Change Notification (PCN)

PCN Number	506782	Date Issued	February 26, 2019
Reason for Change	Packaging Method/Quantity Changing		
Change Type Description	This letter is to inform you that the part(s) referenced in this notice will undergo packaging specification changes that may include new container sizes, quantities or changes to the label. No changes will be made to the product as a result of this change.		
Reason for Short Notice	Corrective Actions		
Assessment of Change	Drop test approved		
Internal Molex Qualification Date	March 01, 2019		
Sample Availability Date (Changed Part)	March 01, 2019		
Planned Implementation Date	April 01, 2019		

RELEASED

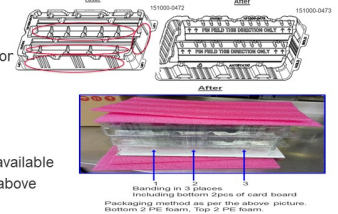
Before Change



After Change

Overview

- As a valued customer, we wanted to notify you that Molex will be improving the tray design and packing method for 171400 & 171760 series :
 - no. of ribs increased at top and bottom side of the tray to strengthen tray structure
 - banding in 3 places including bottom 2pcs of card board
- Product Impact
 - No impact to Form, Fit, Function
- Part Number Impact
 - Refer to attached Part No List
- Qualification Reports and samples available upon request after the date shown above





Product Change Notification (PCN)

You may address any technical inquiries regarding this PCN by sending E-mail to pcn_coordinator@molex.com or your Local Sales Engineer.

Note: While responding, please retain "**PCN Notification:506782**" in the e-mail Subject line for faster response.

RELEASED

Molex, LLC
2222 Wellington Court
Lisle, IL 60532
TEL: 630-969-4747
www.molex.com