

Plug / BNC



Specification:

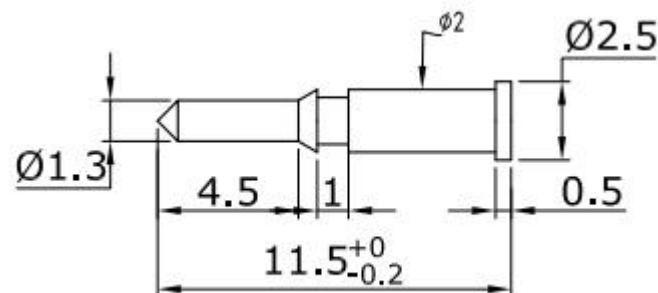
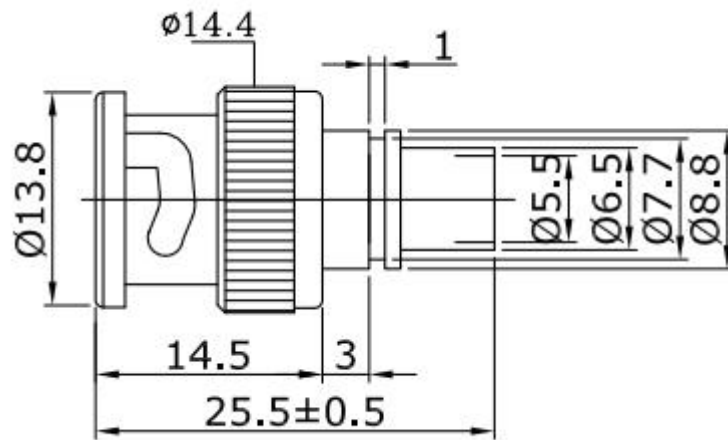
Part Number:	PSG08507
Description:	BNC Plug, Crimp Type
Connector Type:	BNC
Gender:	Plug
Body Material:	Zinc Alloy
Plating:	Nickle Plated

Characteristics:

Impedance:	50 Ω
------------	-------------

Standards:

RoHS compliant



Dimensions may differ from those shown