

VW3A46103

passive filter - 15 A - 400 V - 50 Hz - for variable speed drive



Main

| | |
|------------------------------|--------------------------------|
| Product or component type | Passive filter |
| Product specific application | Reduction of current harmonics |

Complementary

| | |
|-----------------------------|--|
| Range compatibility | Altivar 61 Altivar 71 Altivar Process ATV600 Altivar Process ATV900 |
| [Us] rated supply voltage | 400 V (+/- 10 %) |
| Supply frequency | 50 Hz (tolerance: +/- 2 %) |
| Quantity per drive | 1 filter per drive for variable speed drive ATV61W motor: 7.5 kW / 10 hp 1 filter per drive for variable speed drive ATV61H motor: 7.5 kW / 10 hp 1 filter per drive for variable speed drive ATV71H motor: 7.5 kW / 10 hp 1 filter per drive for variable speed drive ATV71P motor: 7.5 kW / 10 hp 1 filter per drive for variable speed drive ATV71W motor: 7.5 kW / 10 hp 1 filter per drive for variable speed drive ATV630 wall mount, motor: 7.5 kW / 10 hp 1 filter per drive for variable speed drive ATV650 wall mount, motor: 7.5 kW / 10 hp 1 filter per drive for variable speed drive ATV930 wall mount, motor: 7.5 kW / 10 hp 1 filter per drive for variable speed drive ATV950 wall mount, motor: 7.5 kW / 10 hp |
| [In] rated current | 14 A for input 15 A for output |
| Network number of phases | 3 phases |
| THDI | 10 % for variable speed drive ATV61W motor: 7.5 kW / 10 hp 16 % for variable speed drive ATV61H motor: 7.5 kW / 10 hp 16 % for variable speed drive ATV71H motor: 7.5 kW / 10 hp 16 % for variable speed drive ATV71P motor: 7.5 kW / 10 hp 16 % for variable speed drive ATV71W motor: 7.5 kW / 10 hp 10 % for variable speed drive ATV630 motor: 7.5 kW / 10 hp 10 % for variable speed drive ATV650 motor: 7.5 kW / 10 hp 10 % for variable speed drive ATV930 motor: 7.5 kW / 10 hp 10 % for variable speed drive ATV950 motor: 7.5 kW / 10 hp |
| Max current | 1.5 x nominal current (duration = 60 s) |
| Efficiency | <= 98 % |
| Thermal losses | 118 W |
| Cos phi | 1 at 150 % of line current 0.85 at 75 % of line current 0.99 at 100 % of line current |
| Electrical connection | X1-1...X2-3 terminal, connection capacity: 0.5...10 mm ² A, B terminal, connection capacity: 2.5 mm ² |
| Electrical insulation class | Class F |
| Product weight | 16.3 kg |

Environment

| | |
|-------------------------|---|
| IP degree of protection | IP20 IP55 (enclosure mounting) |
| vibration resistance | 2 mm peak to peak (f = 5...13.2 Hz) conforming to EN 60068-2-6 0.7 gn (f = 13.2...150 Hz) conforming to EN 60068-2-6 |
| relative humidity | 5...85 % without condensation |

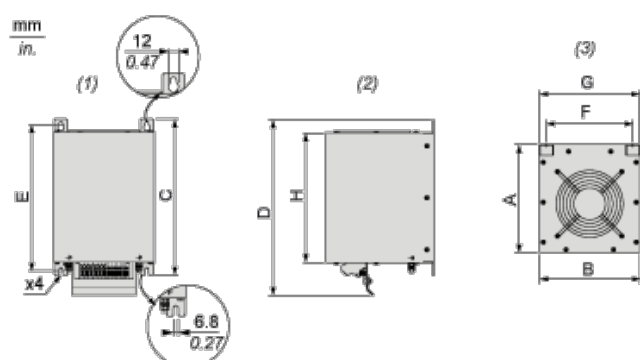
The information provided in this documentation contains general descriptions and/or technical characteristics of the products contained herein. This documentation is not intended as a substitute for and is not to be used for determining suitability or reliability of these products for specific user applications. It is the duty of any such user or integrator to perform the appropriate and complete risk analysis, evaluation and testing of the products with respect to the relevant specific application or use thereof. Neither Schneider Electric Industries SAS nor any of its affiliates or subsidiaries shall be responsible or liable for misuse of the information contained herein.

| | |
|---------------------------------------|--|
| ambient air temperature for operation | > 45...60 °C with current derating 3 % per °C > 5...45 °C without current derating |
| ambient air temperature for storage | > -25...55 °C storage in original packaging > -25...65 °C during transport |
| operating altitude | <= 1000 m without current derating > 1000...4000 m with current derating 5 % per 1000 m |
| standards | EN/IEC 61000-3-2 EN/IEC 61000-3-12 EN/IEC 61000-3-4 EN/IEC 61000-2-2 EN/IEC 61000-2-4 G5/4 engineering recommendation |

Offer Sustainability

| | |
|--------------------------|---|
| Sustainable offer status | Not Green Premium product |
| RoHS (date code: YYWW) | Compliant - since 1329 - Schneider Electric declaration of conformity |

Dimensions



- (1) Front view
- (2) Right side view
- (3) Top view

Dimensions in mm

| A | B | C | D | E | F | G | H |
|-------|-----|-----|--------|-----|-----|-----|-----|
| 205.5 | 190 | 295 | 332.11 | 276 | 163 | 188 | 246 |

Dimensions in in.

| A | B | C | D | E | F | G | H |
|------|------|-------|-------|-------|------|------|------|
| 8.09 | 7.48 | 11.61 | 13.07 | 10.87 | 6.42 | 7.40 | 9.69 |

Mounting Recommendations

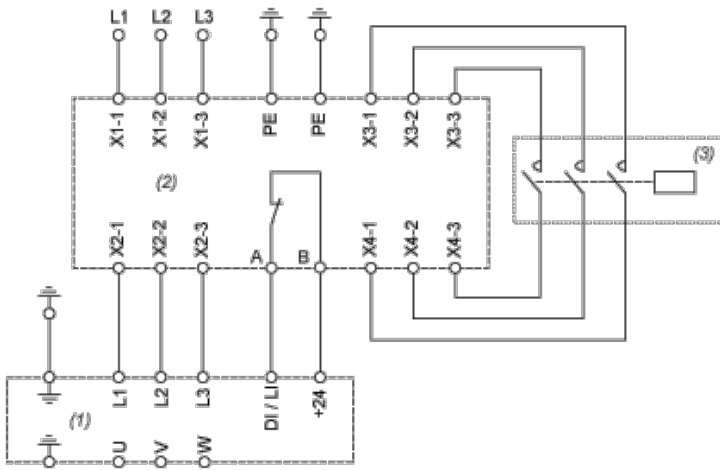
Vertical Mounting Only

mm
in.



(1) Filter

Recommended Schema



- (1) Drive
- (2) Filter
- (3) Optional