

# ABL8FEQ24040

rectified and filtered power supply - 1 or 2-phase -  
400 V AC - 24 V - 4 A



## Main

Range of product	Phaseo Rectified
Product or component type	Power supply
Power supply type	Rectified and filtered
Rated power in W	96 W
Input voltage	230 V AC single phase, terminal(s): N-L1 400 V AC phase to phase, terminal(s): L1-L2
Output voltage	24 V DC
Power supply output current	4 A
Operating position	Horizontal at 40 °C Vertical at 60 °C

## Complementary

Input voltage limits	207...253 V 360...440 V
Network frequency limits	47...63 Hz
Input voltage tolerance	+/- 15 V
Inrush current	9 A at 230 V 5.2 A at 400 V
Cos phi	0.689 at 230 V 0.867 at 400 V
Efficiency	75 %
Power dissipation in W	24 W
Residual ripple	<= 1200 mV
Holding time	14 ms
Output protection type	Against overload and short-circuits, protection technology: internal fuse, 4 A, 5 x 20 mm, T curve Against overvoltage, protection technology: 2 J peak limiter
Connections - terminals	Screw type terminals for input connection, connection capacity: 5 x 2.5...5 x 4 mm <sup>2</sup> AWG 14...AWG 11 Screw type terminals for input ground connection, connection capacity: 1 x 2.5...1 x 4 mm <sup>2</sup> AWG 14...AWG 11 Screw type terminals for output connection, connection capacity: 4 x 2.5...4 x 4 mm <sup>2</sup> AWG 14...AWG 11
Marking	CE
Fixing mode	By 4 screws By clips on 35 mm symmetrical DIN rail
Output coupling	Parallel Series
Operating altitude	3000 m
Name of test	Conducted/radiated emissions conforming to EN 55011 class B Electrostatic discharges conforming to EN/IEC 61000-4-2 Emission conforming to EN 50081-1 Emission conforming to EN 61000-6-3 Rapid transient conforming to IEC 61000-4-4 Surge conforming to EN/IEC 61000-4-5
Status LED	1 LED green for output voltage 1 LED orange for input voltage
Depth	165 mm
Height	108 mm
Width	87 mm
Product weight	2.9 kg

## Environment

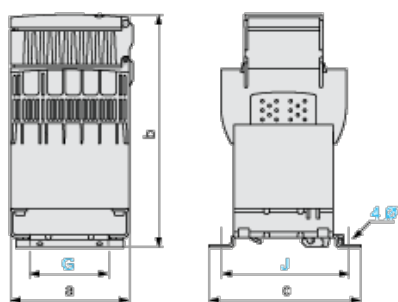
The information provided in this documentation contains general descriptions and/or technical characteristics of the products contained herein. This documentation is not intended as a substitute for and is not to be used for determining suitability or reliability of these products for specific user applications. It is the duty of any such user or integrator to perform the appropriate and complete risk analysis, evaluation and testing of the products with respect to the relevant specific application or use thereof. Neither Schneider Electric Industries SAS nor any of its affiliates or subsidiaries shall be responsible or liable for misuse of the information contained herein.

product certifications	CULus UL 508 EAC KC
environmental characteristic	EMC conforming to IEC 62041 Safety conforming to EN/IEC 61558-2-6 Safety conforming to UL 508 Safety conforming to UL 60950-1 EMC conforming to EN/IEC 61000-3-2
IP degree of protection	IP20 conforming to EN/IEC 60529
ambient air temperature for operation	-20...60 °C
ambient air temperature for storage	-40...80 °C
relative humidity	0...95 % without condensation or dripping water
electrical shock protection class	Class I conforming to VDE 0106-1
vibration resistance	0.05 mm (f = 47...57 Hz) conforming to IEC 60068-1 0.7 gn (f = 13.9...47 Hz) conforming to IEC 60068-1 1 gn (f = 57...150 Hz) conforming to IEC 60068-1 1 mm (f = 3...13.9 Hz) conforming to IEC 60068-1
dielectric strength	2000 V between input and ground 4600 V between input and output 500 V between output and ground

### Contractual warranty

Warranty period	18 months
-----------------	-----------

### Dimensions



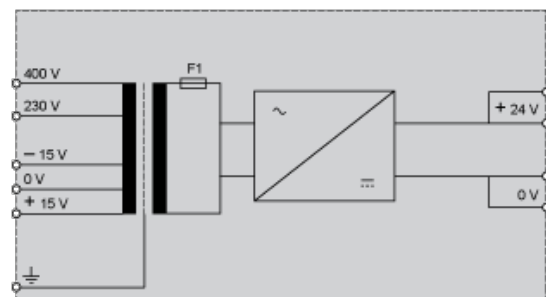
Dimensions in mm

a	b	c	G	J	Ø
87	165	108	60	96	5.5

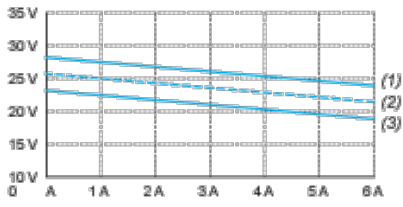
Dimensions in in.

a	b	c	G	J	Ø
3.42	6.50	4.25	2.36	3.78	0.22

### Internal Wiring Diagram



### Load Limits Curve



- (1) Nominal line supply + 10%
- (2) Nominal line supply
- (3) Nominal line supply - 10%