



Main

| | |
|---------------------------|---|
| Range of product | Preventa XY2 |
| Product or component type | Latching emergency stop rope pull switch |
| Device short name | XY2CH |
| Housing colour | Red RAL 3000 |
| Overvoltage category | Class I conforming to EN/IEC 61140 Class I conforming to NF C 20-030 |

Complementary

| | |
|--|---|
| Local signalling | Without pilot light |
| Number of cables | 1 |
| Trigger cable maximum length | 30 m |
| Body material | Zamak |
| Cover material | Stainless steel |
| Reset | By flush push-button |
| Contacts type and composition | 2 NC |
| Contact operation | Slow-break |
| Trigger cable anchor point | RH or LH side |
| Connections - terminals | Screw clamp terminal 1 x 0.5...2 x 1.5 mm ² |
| Tightening torque | 0.8...1.2 N.m |
| Cable entry number | 3 tapped entry for ISO M20 cable gland |
| Safety level | Can reach category 4 with the appropriate monitoring system and correctly wired conforming to EN/ISO 13849-1 Can reach PL = e with the appropriate monitoring system and correctly wired conforming to EN/ISO 13849-1 Can reach SIL 3 with the appropriate monitoring system and correctly wired conforming to EN/IEC 61508 |
| Safety reliability data | B10d = 4000000 with value given for a life time of 20 years limited by mechanical or contact wear conforming to IEC 60947-5-5 |
| Marking | CE |
| Mechanical durability | 800000 cycles |
| Distance between cable supports | 5 m |
| [Ie] rated operational current | 3 A at 240 V AC-15, A300 conforming to EN/IEC 60947-5-1 appendix A 0.27 A at 250 V DC-13, Q300 conforming to EN/IEC 60947-5-1 appendix A |
| [Ithe] conventional enclosed thermal current | 10 A |
| [Ui] rated insulation voltage | 500 V (degree of pollution: 3) conforming to EN/IEC 60947-1 300 V (degree of pollution: conforming to UL 508 |
| [Uimp] rated impulse withstand voltage | 6 kV conforming to EN/IEC 60947-1 |
| Positive opening | With conforming to EN/IEC 60947-5-1 |
| Resistance across terminals | <= 25 MOhm conforming to NF C 93-050 method A <= 25 MOhm conforming to EN/IEC 60255-7 category 3 |
| Short-circuit protection | 10 A by gG cartridge fuse conforming to EN/IEC 60269 |
| Terminals description ISO n°1 | (21-22)NC (11-22)NC |
| Product weight | 0.865 kg |

Environment

| | |
|---------------------------------------|--|
| standards | EN/IEC 60204-1 EN/IEC 60947-5-1 EN/IEC 60947-5-5 EN/ISO 13850 Machinery directive 2006/42/EC Work equipment directive 2009/104/EC |
| product certifications | UL for category NISD emergency stop devices CCC |
| protective treatment | TC |
| ambient air temperature for operation | -25...70 °C |
| ambient air temperature for storage | -40...70 °C |
| vibration resistance | 10 gn (f = 10...150 Hz) conforming to EN/IEC 60068-2-6 |
| shock resistance | 50 gn for 11 ms conforming to EN/IEC 60068-2-27 |
| IP degree of protection | IP65 for conforming to IEC 60529 |

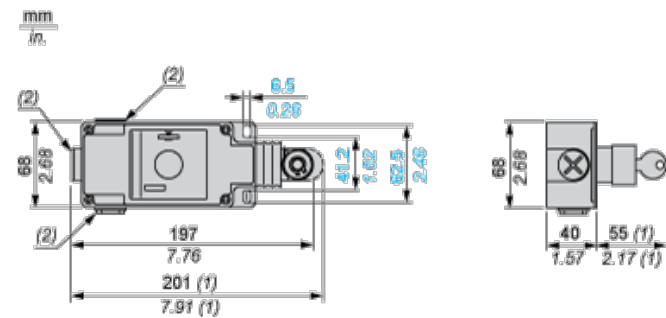
Offer Sustainability

| | |
|----------------------------------|---|
| Sustainable offer status | Green Premium product |
| RoHS (date code: YYWW) | Compliant - since 1618 - Schneider Electric declaration of conformity |
| REACH | Reference not containing SVHC above the threshold |
| Product environmental profile | Available |
| Product end of life instructions | Need no specific recycling operations |

Contractual warranty

| | |
|-----------------|---------------------|
| Warranty period | 18 months 18 months |
|-----------------|---------------------|

Dimensions



- (1) Maximum extension.
- (2) Tapped entry for ISO M20

Electrical Curves

AC Supply 50/60 Hz Inductive Circuit

2-pole Contact Block



Y Millions of operating cycles

X Current in A

DC Supply Power Broken in for 1 Million Operating Cycles Inductive Circuit

| | | | | |
|-----------|---|----|----|-----|
| Voltage | V | 24 | 48 | 120 |
| mm | W | 13 | 9 | 7 |