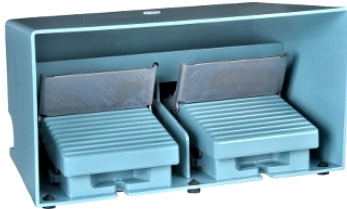


XPEM5110D

double foot switch - IP66 - with cover - metallic - blue
- 4 NC + 4 NO



Main

| | |
|-------------------------------|------------------------|
| Range of product | Harmony XPE |
| Product or component type | Foot switch |
| Material | Metal |
| Foot switch type | Double foot switch |
| Device short name | XPEM |
| Provided equipment | Cover |
| Trigger mechanism | With trigger mechanism |
| Contact operation | 1 step |
| Contacts type and composition | 2 x 2 NC + 1 NO |
| Colour | Blue |

Complementary

| | |
|--|--|
| Positive opening | With conforming to EN/IEC 60947-5-1 appendix K |
| Connections - terminals | Screw clamp terminal : $\leq 1 \times 2.5 \text{ mm}^2$ with or without cable end Screw clamp terminal : $\leq 2 \times 1.5 \text{ mm}^2$ with or without cable end |
| Cable entry | 2 entries tapped for Pg 16 cable gland |
| Mechanical durability | 15000000 cycles |
| [Ie] rated operational current | 3 A, 240 V, AC-15, A300 0.27 A, 250 V, DC-13, Q300 conforming to EN/IEC 60947-5-1 appendix A |
| [Ui] rated insulation voltage | 500 V, degree of pollution: 3 conforming to EN/IEC 60947-1 500 V, degree of pollution: 3 conforming to NF C 20-040 group C 500 V, degree of pollution: 3 conforming to VDE 0110 group C 300 V conforming to UL 508 300 V conforming to CSA C22.2 No 14 |
| [Uimp] rated impulse withstand voltage | 6 kV conforming to EN/IEC 60947-1 |
| Resistance across terminals | $\leq 25 \text{ MOhm}$ conforming to IEC 60255-7 category 3 $\leq 25 \text{ MOhm}$ conforming to NF C 93-050 method A |
| Short-circuit protection | 10 A by cartridge fuse type gG conforming to EN/IEC 60947-5-1 10 A by cartridge fuse type gG conforming to VDE 0660-200 |
| Rated operational power in W | 10 W DC-13, operating rate: 60 cyc/mn, 5000000 cycles, 24 V, load factor: 0.5 conforming to EN/IEC 60947-5-1 appendix C 4 W DC-13, operating rate: 60 cyc/mn, 5000000 cycles, 120 V, load factor: 0.5 conforming to EN/IEC 60947-5-1 appendix C 7 W DC-13, operating rate: 60 cyc/mn, 5000000 cycles, 48 V, load factor: 0.5 conforming to EN/IEC 60947-5-1 appendix C |
| Terminals description ISO n°2 | (11-12)NC (13-14)NO (21-22)NC (23-24)NO B |
| Product weight | 6.09 kg |

Environment

| | |
|---------------------------------------|--|
| standards | NF E 09-031 |
| product certifications | CSA FIMKO |
| protective treatment | TC |
| ambient air temperature for operation | -25...70 °C |
| ambient air temperature for storage | -40...70 °C |
| vibration resistance | 15 gn (f = 10...500 Hz) conforming to IEC 60068-2-6 |
| shock resistance | 150 gn conforming to NF E 09-031 20 gn conforming to IEC 60068-2-27 |

The information provided in this documentation contains general descriptions and/or technical characteristics of the products contained herein. This documentation is not intended as a substitute for and is not to be used for determining suitability or reliability of these products for specific user applications. It is the duty of any such user or integrator to perform the appropriate and complete risk analysis, evaluation and testing of the products with respect to the relevant specific application or use thereof. Neither Schneider Electric Industries SAS nor any of its affiliates or subsidiaries shall be responsible or liable for misuse of the information contained herein.

overvoltage category

Class I conforming to EN/IEC 61140
Class I conforming to NF C 20-030

IP degree of protection

IP669 conforming to NF C 20-010
IP66 conforming to IEC 60529

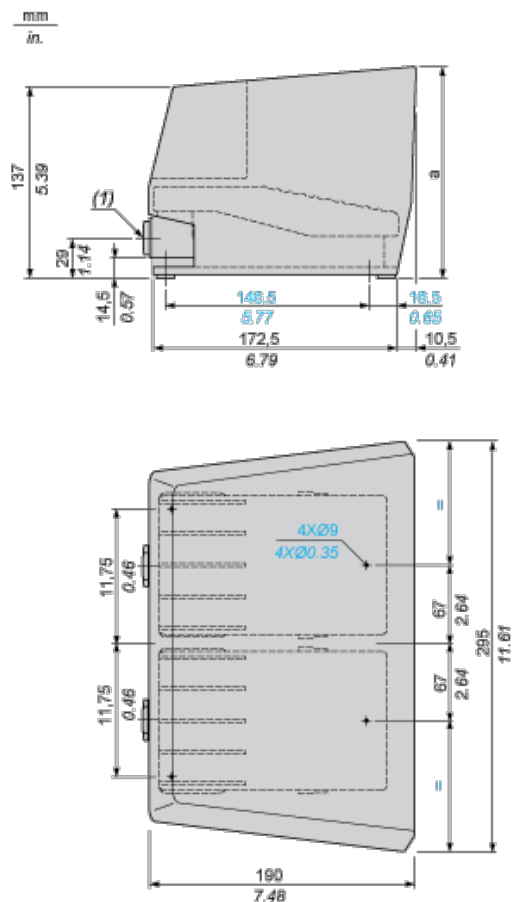
Contractual warranty

Warranty period

18 months

Double Pedal Metal Foot Switch with Protective Cover

Dimensions



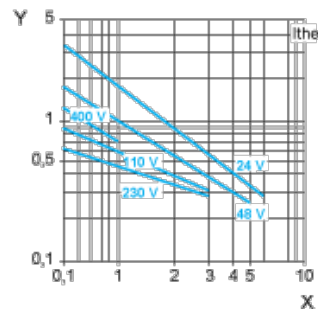
(1) 2 tapped entries for n° 16 (Pg 16) cable gland. For ISO M20, use adaptor DE9RA620.

Electrical Durability of Contacts

AC-15 Utilization Category

Operating rate: 3600 operating cycles/hour. Load factor: 0.5.

Inductive circuit:



X Current in A

Y Millions of operating cycles

DC-13 Utilization Category

Refer to the product characteristic "Operational power in W".