

# XACD24P2231

pendant station XAC-D - 1 rocker lever 1 Emergency stop



## Main

Range of product	Harmony XAC
Product or component type	Pendant control station
Device short name	XACD

## Complementary

Control station type	Double insulated
Enclosure material	Polypropylene
Control type	Intuitive
Electrical circuit type	Power circuit
Enclosure type	Complete ready for use
Control station application	Control of 2-speed hoist motor
Motor starter type	Reversing
Control station composition	1 2-directional button + 1 emergency stop
Control button type	Emergency stop push-button Ø 30 mm 3 NC trigger action First direction button 2-pole raise, slow-fast Second direction button 2-pole lower, slow-fast
Product compatibility	XEDS2231 for reversing operation XENT1991 for emergency stop
Mechanical interlocking	With mechanical interlocking
Control station colour	Yellow
Connections - terminals	Screw clamp terminals 1 x 2.5 mm <sup>2</sup> with or without cable end Screw clamp terminals 2 x 1.5 mm <sup>2</sup> with or without cable end
Standards	EN/IEC 60204-32 EN/IEC 60947-5-1 EN/IEC 60947-5-5 EN/ISO 13850: 2006 UL 508 CSA C22.2 No 14
Protective treatment	TH
Ambient air temperature for operation	-25...70 °C
Ambient air temperature for storage	-40...70 °C
Vibration resistance	15 gn 10...500 Hz IEC 60068-2-6
Shock resistance	70 gn IEC 60068-2-27
Overvoltage category	Class II IEC 61140
IP degree of protection	IP65 IEC 60529
IK degree of protection	IK08 EN 50102
Mechanical durability	3000000 cycles
Cable entry	Rubber sleeve with stepped entry 7...18 mm
[I <sub>th</sub> ] conventional enclosed thermal current	10 A XENT.... 16 A XEDS....
[U <sub>i</sub> ] rated insulation voltage	500 V 3 IEC 60947-1 400 V 3 emergency stop contact
[U <sub>imp</sub> ] rated impulse withstand voltage	6 kV IEC 60947-1 4 kV emergency stop contact
Contact operation	Snap action

The information provided in this documentation contains general descriptions and/or technical characteristics of the products contained herein. This documentation is not intended as a substitute for and is not to be used for determining suitability or reliability of these products for specific user applications. It is the duty of any such user or integrator to perform the appropriate and complete risk analysis, evaluation and testing of the products with respect to the relevant specific application or use thereof. Neither Schneider Electric Industries SAS nor any of its affiliates or subsidiaries shall be responsible or liable for misuse of the information contained herein.

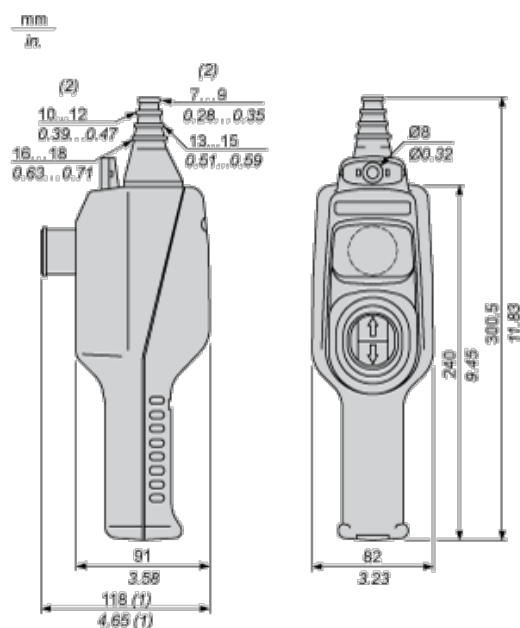
Operating force	31 N
Short-circuit protection	<= 6 A fuse protection cartridge aM
Rated operational power in W	1100 W AC-3 400 V IEC 60947-3 appendix A 1100 W AC-4 400 V IEC 60947-3 appendix A 3000 W AC-23B 400 V
Electrical durability	1000000 cycles AC-3 1100 W 400 V 10 cyc/mn 0.4 IEC 60947-3 appendix A 1000000 cycles AC-4 1100 W 400 V 10 cyc/mn 0.4 IEC 60947-3 appendix A
Terminals description ISO n°1	(11-12)P (1-2)P (3-4)P (5-6)P (7-8)P (9-10)P (R1-R2)RP (R3-R4)RP
Terminals description ISO n°2	(11-12)NC (21-22)NC (31-32)NC
Terminal identifier	(11-12)NC (13-14)NO
Product weight	0.42 kg

## Environment

## Contractual warranty

Warranty period	18 months
-----------------	-----------

## Dimensions



- (1) With trigger action latching Ø 30 mm / 1.18 in. Emergency stop.
- (2) Internal Ø