

## SSRAL2 (40 990 13)

copper terminal lug - for panel mounting solid state relay SSP1



### Main

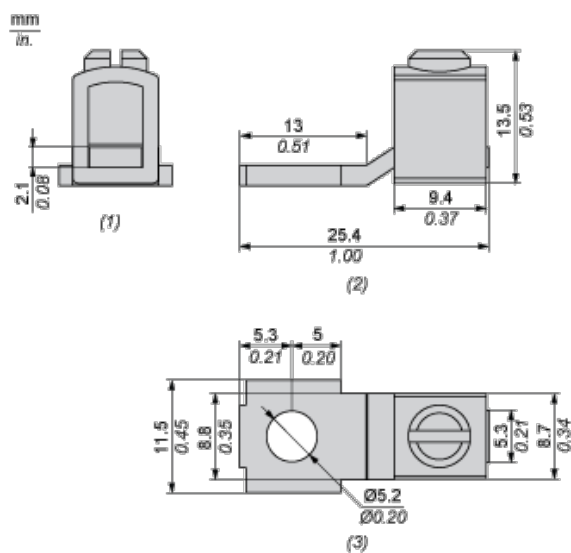
Product or component type	Terminal lug
Accessory / separate part category	Mounting accessory
Accessory / separate part destination	Solid state relay SSP1

### Complementary

Material	Copper
AWG gauge	AWG 14...AWG 6
Tightening torque	1.3...1.7 N.m
Torque value	2.3 N.m
Product weight	8.87 g
Sale per indivisible quantity	10

### Environment

### Dimensions



- (1) Side view
- (2) Front view
- (3) Top view