



Main

Range of product	Harmony XB4R
Product or component type	Wireless and batteryless package
Device short name	XB4R
Head material	Metal
Kit composition	1 metal push-button, 1 receiver and 1 set of caps
Frequency	2405 MHz for transmitter 2405 MHz for receiver
Emission class	5M00G7W
Antenna type	Omnidirectional
Device composition	ZB4BZ009 ZB4RZA0 ZBA79 ZBRT1 Paired receiver

Complementary

Control type	Wireless and batteryless push-button Ø 22 mm assembled on fixing collar
Type of receiver	Non-programmable receiver (1 relay)
[Us] rated supply voltage	24 V DC
Communication port protocol	Zigbee conforming to IEEE 802.15.4
Max power consumption in W	1 mW
Number of channels	1
Modulation technique	O-QPSK
Bandwidth	5 MHz
Antenna gain	0 dBi

Environment

Product certifications	CCC CSA C-Tick GOST UL
Marking	CE
Standards	EN/IEC 60947-1

EN/IEC 60947-5-1
UL 508
CSA C22.2 No 14

Radio agreement

ANATEL
SRRC
FCC
RSS
ICASA
ARIB T66

Offer Sustainability

RoHS (date code: YYWW)

Compliant - since 1113 - Schneider Electric declaration of conformity

 [Schneider Electric declaration of conformity](#)

Product end of life instructions

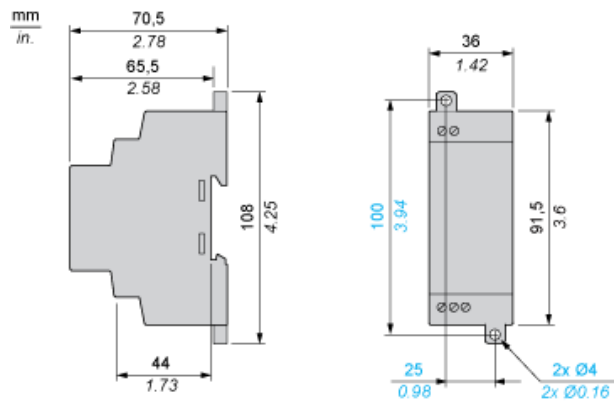
Need no specific recycling operations

Contractual warranty

Warranty period

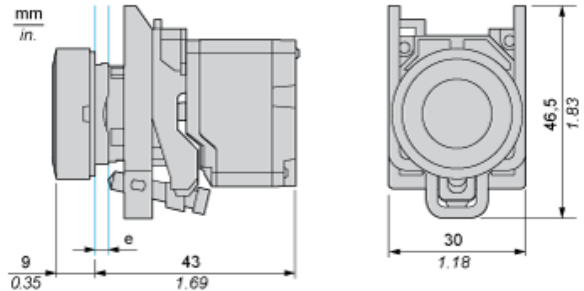
18 months

Non-Programmable Receiver



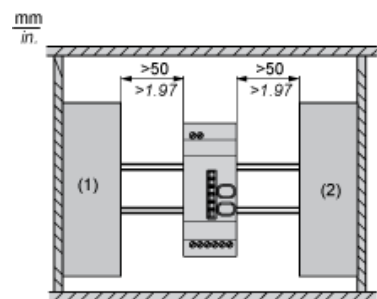
Wireless and Batteryless Pushbutton - Transmitter

With Metal Pushbutton without Cap



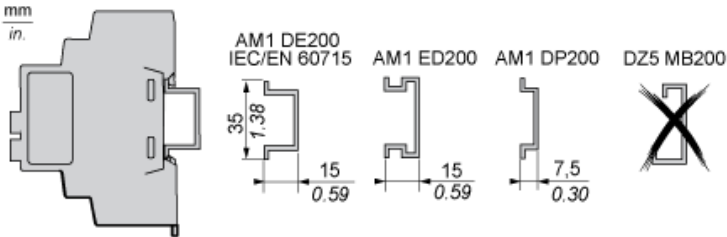
e: panel thickness 1 to 6 mm / 0.039 to 0.24 in.

Receiver Clearance



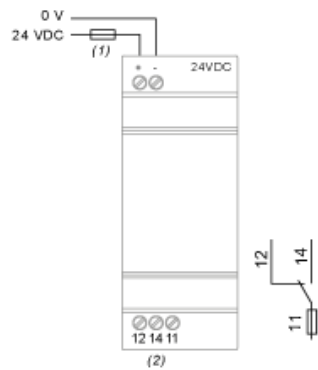
- (1) Drive
- (2) Power Supply or PLC

Receiver Mounting



Non-Programmable Receiver

Wiring Diagram



- (1) 125 mA fast-blow fuse
- (2) $I_{max} = 3 \text{ A}$