



## Main

Range of product	OsiSense XC
Series name	Standard format
Product or component type	Wireless limit switch
Device short name	XCKW
Body type	Fixed
Head type	Rotary head

## Complementary

Body material	Plastic
Head material	Plastic
Lever material	Metal
Fixing mode	By 4 screws
Type of operator	Elastomer spring return roller lever with roller diameter 50 mm
Switch actuation	By 30° cam
Type of approach	1 or 2 programmable direction lateral approach
Communication network type	ZigBee green power 2.4 GHz conforming to IEEE 802.15.4
Electrical composition code	PW1
Emission power	3 mW
Response time	<= 2 ms
Maximum sensing distance	100 m in free field 25 m in industrial environment 300 m with external antenna
Contact operation	Snap action
Number of steps	1
Maximum torque for tripping	0.5 N.m
Maximum actuation speed	1 m/s
Operating rate	<= 60 cyc/mn
Mechanical durability	400000 cycles
Switching operation per hour	3600
Width	50 mm
Height	151 mm
Depth	68 mm

Product weight	0.22 kg
----------------	---------

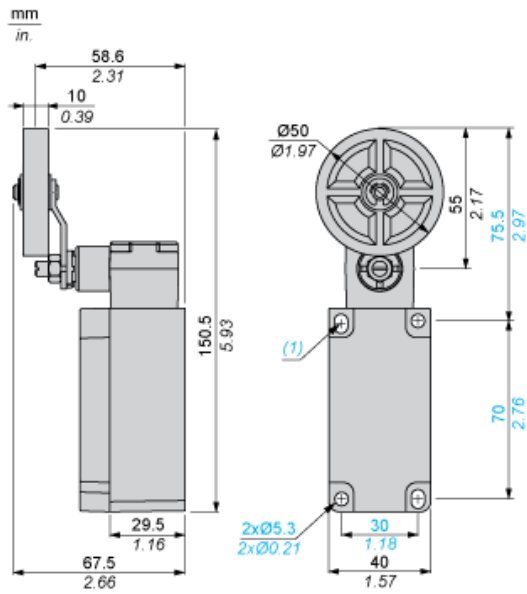
## Environment

Electromagnetic compatibility	Immunity for industrial environments Radiated emission Susceptibility to electromagnetic fields : 3 V/m, 80...2700 MHz, distance = 20 m Susceptibility to electromagnetic fields : 10 V/m, 80...2000 MHz Electrostatic discharge immunity test : 6 kV, on contact (on metal parts) Electrostatic discharge immunity test : 8 kV, in free air (in insulating parts)
Shock resistance	50 gn (duration = 11 ms) conforming to IEC 60068-2-27
Vibration resistance	+/- 10 mm (vibration frequency: 2...11 Hz) conforming to IEC 60068-2-6 25 gn (vibration frequency: 10...500 Hz) conforming to IEC 60068-2-6
IP degree of protection	IP66 conforming to IEC 60529 IP67 conforming to IEC 60529
IK degree of protection	IK05 conforming to EN 50102
Ambient air temperature for operation	-25...55 °C
Ambient air temperature for storage	-40...70 °C
Directives	2004/108/EC - electromagnetic compatibility 1999/5/EC - R&TTE directive
Standards	EN/IEC 60947-1 EN/IEC 60947-5-1
Radio agreement	IC RSS FCC RCM

## Offer Sustainability

RoHS (date code: YYWW)	Compliant - since 1545 - Schneider Electric declaration of conformity <a href="#">Schneider Electric declaration of conformity</a>
REACH	Reference not containing SVHC above the threshold <a href="#">Reference not containing SVHC above the threshold</a>

Dimensions



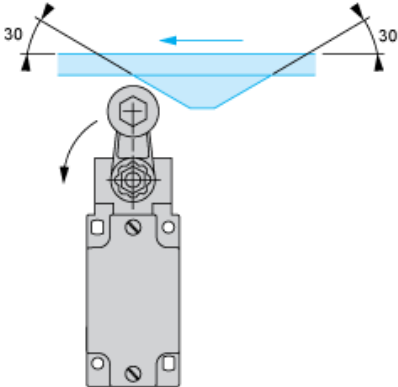
(1) 2 elongated holes 5.3 x 7.3 mm / 0.21 x 0.29 in.

---

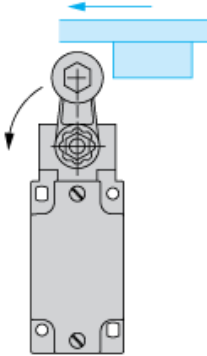
Mounting with Rotary Head and Roller Lever

---

Recommended Mounting



Mounting to be Avoided

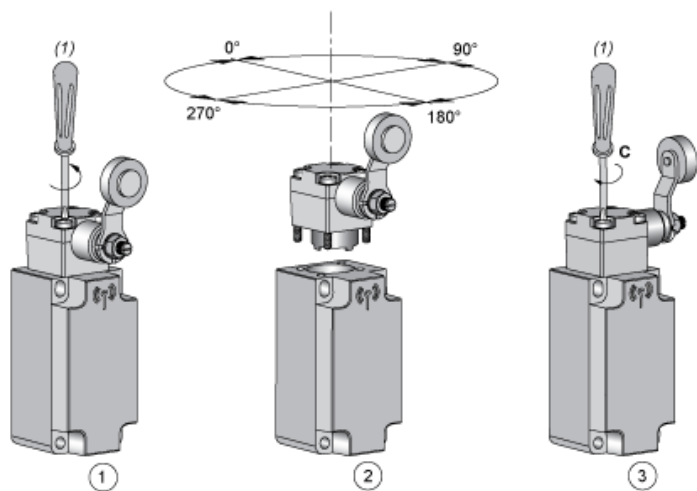


---

Mounting

---

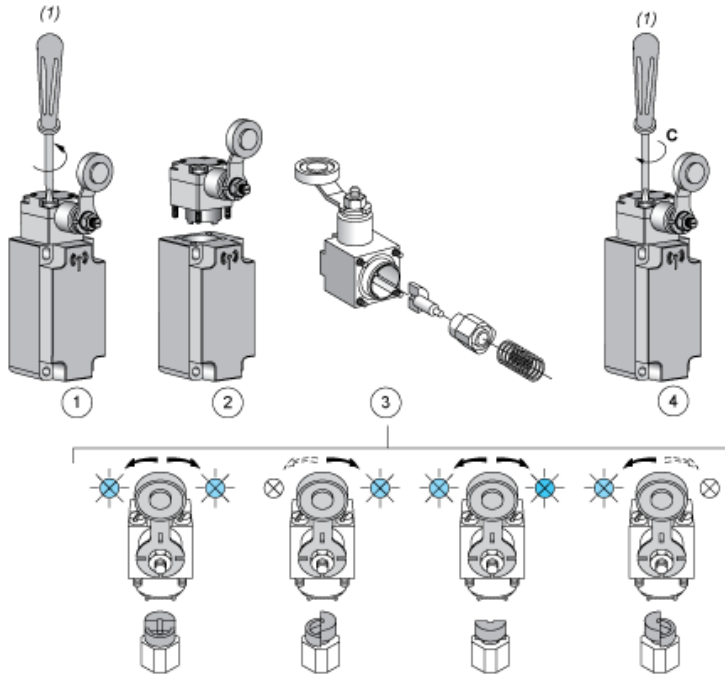
Head Orientation



- (1) PZ1, pozidriv screwdriver, size 1  
C : 1 Nm (± 20 %) / 8.85 lb-in (± 20 %)

Mounting

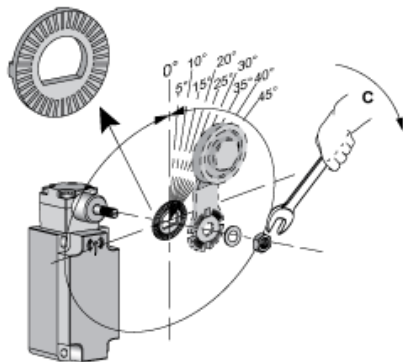
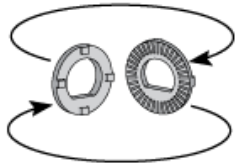
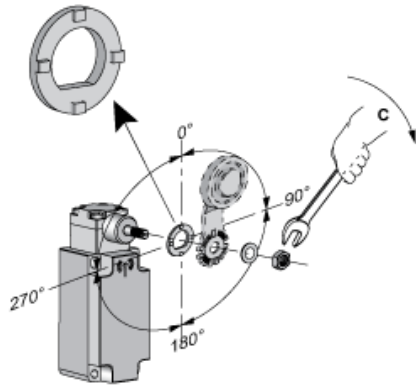
Actuator Direction Setting



- (1) PZ1, pozidriv screwdriver, size 1
- C : 1 Nm (± 20 %) / 8.85 lb-in (± 20 %)

Mounting

Actuator Angle Setting



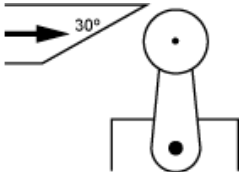
C : 1 Nm (± 20 %) / 8.85 lb-in (± 20 %)

---

Mounting

---

Characteristics of Actuation





---

Technical Description

---

Functionnal Diagram, Travel Distance



- (1) Reset
- (2) Set