



## PLASTIC RIVETS & SCREWS

**TR Fastenings** is recognised throughout the industry for world class products & services

We manufacture, stock & distribute a vast range of industrial fasteners & components

[www.trfastenings.com](http://www.trfastenings.com)

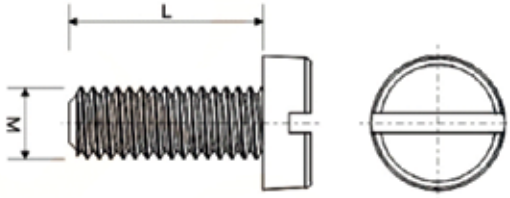
[sales@trfastenings.com](mailto:sales@trfastenings.com)

Edition 4

## Contents

	<b>Nylon Screws</b>	3 - 6		Snap Rivet - TRRH	9
	Cheese Slotted - CSNYMC DIN 84 - ISO 1207	3		Snap Rivet - TRRT	10
	Countersunk Slotted - KSNYMC DIN 963 - ISO 2009	3		Drive Rivet - TRPPR	11
	Raised Countersunk Slotted ISNYMC - DIN 964 - ISO2010	4		Push Rivet - TRPR	12
	Pan Slotted - PSNYMC DIN 85 - ISO 1580	4		Pawl Lock Rivet	12
	Pan Recessed Type Z - PRNYMC	5		Clinch Rivet - TRCR	13
	Pan Recessed Type H - PPNYMC	5		Drive Fastener - TRDF	14
	Countersunk Recess Type H KPNYMC	6		Mounting Button - TRMB	14
	Raised Countersunk Recess Type H IPNYMC	6		Mounting Button - TRMB	15
	<b>Rivets</b>	7 - 15		Snap Lock Pin - TRSLP	15
	Snap Rivet - TRSR	7		<b>Material Specification</b>	16
	Snap Rivet - TRSR Cross	8		<b>Technical Information</b>	17

## Cheese Slotted DIN 84 - ISO 1207



Screw Head Shapes	Cheese Head
Screw Drive Type	Slotted
Thread	M2/M2.5/M3/M4/M5/M6
Material	Nylon 6/6 V2 / TMS 001
Colour	Natural
Unit	mm
Standard Pack	1,000 per bag

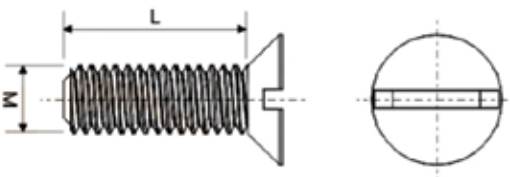
Black available upon request - please add B to part number

### Preferred Range

Length mm (L)	04	05	06	08	10	12	16	20	25	30	40	50	
Thread (M)	M2	04	05	06	08	10	12	16	20	25			
	M2.5			06	08	10	12	16	20	25			
	M3	04	05	06	08	10	12	16	20	25	30	40	
	M4			06	08	10	12	16	20	25	30	40	
	M5			06	08	10	12	16	20	25	30	40	50
	M6		05	06	08	10	12	16	20	25	30	40	50

Part number example - M6-50-CSNYMC-SF

## Countersunk Slotted DIN 963 - ISO 2009



Screw Head Shapes	Countersunk Head
Screw Drive Type	Slotted
Thread	M3/M4/M5/M6
Material	Nylon 6/6 V2 / TMS 001
Colour	Natural
Unit	mm
Standard Pack	1,000 per bag

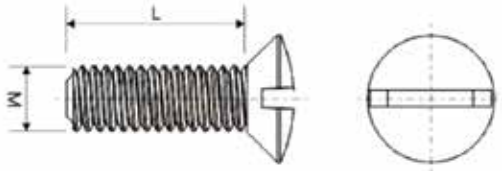
Black available upon request - please add B to part number

### Preferred Range

Length mm (L)	05	06	07	08	10	12	15	16	20	25	30	35	40	
Thread (M)	M3	05	06		08			16	20	25	30			
	M4		06		08	10	12	15	16	20	25	30	35	
	M5			07	08	10	12	15	16	20	25	30	35	40
	M6				08	10	12	15		20	25	30		40

Part number example - M6-40-KSNYMC-SF

## Raised Countersunk Slotted DIN 964 - ISO2010



Screw Head Shapes	Raised Countersunk Head
Screw Drive Type	Slotted
Thread	M3/M4/M5/M6
Material	Nylon 6/6 V2 / TMS 001
Colour	Natural
Unit	mm
Standard Pack	1,000 per bag

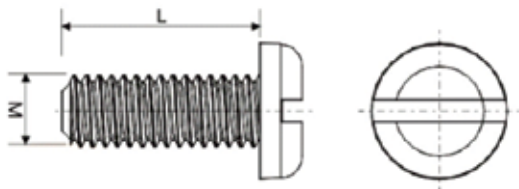
Black available upon request - please add B to part number

### Preferred Range

Length mm (L)	05	06	08	10	12	15	16	20	25	30	40
Thread (M)	M3	05	06	08	10	12		16	20	25	
	M4		06	08	10	12	15		20	25	30
	M5				10	12	15	16	20	25	30
	M6			08	10	12	15		20	25	30

Part number example - M6-40-ISNYMC-SF

## Pan Slotted DIN 85 - ISO 1580



Screw Head Shapes	Pan Head
Screw Drive Type	Slotted
Thread	M2/M2.5/M3/M4/M5/M6
Material	Nylon 6/6 V2 / TMS 001
Colour	Natural
Unit	mm
Standard Pack	1,000 per bag

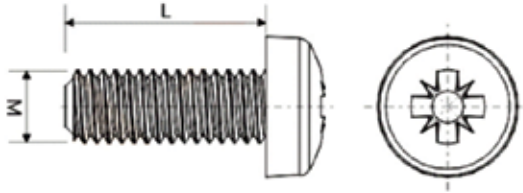
Black available upon request - please add B to part number

### Preferred Range

Length mm (L)	04	05	06	08	10	12	16	20	25	30	35	40	50	60
Thread (M)	M2	04	05	06	08	10	12	16	20	25				
	M2.5			06	08	10	12	16	20	25				
	M3	04	05	06	08	10	12	16	20	25	30	35	40	
	M4			06	08	10	12	16	20	25	30		40	
	M5			06	08	10	12	16	20	25	30		40	50
	M6		05	06	08	10	12	16	20	25	30		40	50

Part number example - M6-60-PSNYMC-SF

## Pan Recessed Type Z



Screw Head Shapes	Pan Head
Screw Drive Type	Pozi Type Z
Thread	M3/M4/M5/M6
Material	Nylon 6/6 V2 / TMS 001
Colour	Natural
Unit	mm
Standard Pack	1,000 per bag

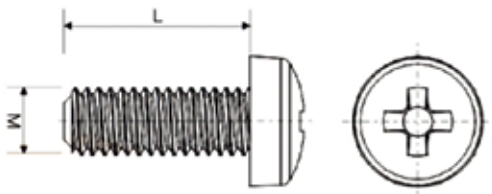
Black available upon request - please add B to part number

### Preferred Range

Length mm (L)	04	05	06	08	10	12	16	20	25	30	35	40	50	60
Thread (M)	M3	04	05	06	08	10	12	16	20	25	30	35	40	
	M4			06	08	10	12	16	20	25	30		40	
	M5			06	08	10	12	16	20	25	30		40	50
	M6		05	06	08	10	12	16	20	25	30		40	50

Part number example - M6-60-PRNYMC-SF

## Pan Recessed Type H



Screw Head Shapes	Pan Head
Screw Drive Type	Recessed Type H
Thread	M3/M4/M5/M6/M8/M10
Material	Nylon 6/6 V2 / TMS 001
Colour	Natural
Unit	mm
Standard Pack	1,000 per bag

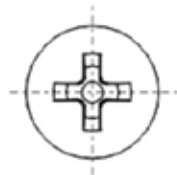
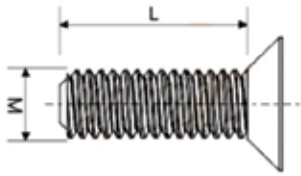
Black available upon request - please add B to part number

### Preferred Range

Length mm (L)	04	05	06	08	10	12	16	20	25	30	35	40	45	50	60	
Thread (M)	M2	04	05	06	08	10	12	16	20	25						
	M2.5			06	08	10	12	16	20	25						
	M3	04	05	06	08	10	12	16	20	25	30	35	40			
	M4			06	08	10	12	16	20	25	30		40			
	M5			06	08	10	12	16	20	25	30		40		50	
	M6		05	06	08	10	12	16	20	25	30		40		50	60
	M8					10	12	16	20	25	30	35	40	45	50	
	M10							16	20	25	30					

Part number example - M10-60-PPNYMC-SF

## Countersunk Recess Type H



Screw Head Shapes	Countersunk Head
Screw Drive Type	Recess Type H
Thread	M3/M4/M5/M6
Material	Nylon 6/6 V2 / TMS 001
Colour	Natural
Unit	mm
Standard Pack	1,000 per bag

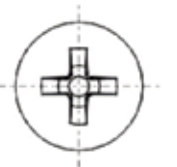
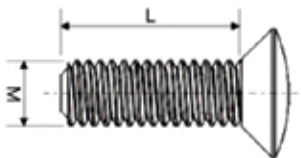
Black available upon request - please add B to part number

### Preferred Range

Length mm (L)		05	06	08	10	12	15	16	20	25	30	35	40
Thread (M)	M3	05	06	08	10	12		16	20	25	30		
	M4		06	08	10	12	15	16	20	25	30	35	
	M5			08	10	12	15	16	20	25	30	35	40
	M6			08	10	12	15	16	20	25	30		40

Part number example - M6-40-KPNYMC-SF

## Raised Countersunk Recess Type H



Screw Head Shapes	Raised Countersunk Head
Screw Drive Type	Cross Recess Type H
Thread	M3/M4/M5/M6
Material	Nylon 6/6 V2 / TMS 001
Colour	Natural
Unit	mm
Standard Pack	1,000 per bag

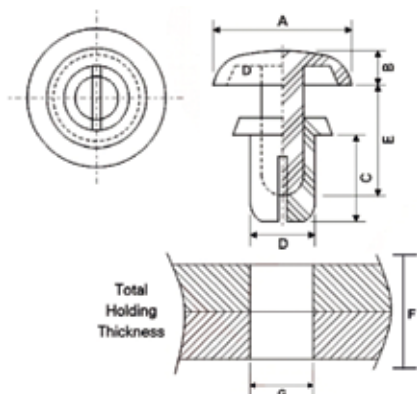
Black available upon request - please add B to part number

### Preferred Range

Length mm (L)		05	06	08	10	12	15	16	20	25	30	35	40
Thread (M)	M3	05	06	08	10	12		16	20	25	30		
	M4		06	08	10	12	15	16	20	25	30	35	
	M5			08	10	12	15	16	20	25	30	35	40
	M6			08	10	12	15	16	20	25	30		40

Part number example - M6-40-IPNYMC-SF

## Snap Rivet - TRSR



Rivet Series  
Type  
Material  
Colour  
Unit  
Standard Pack

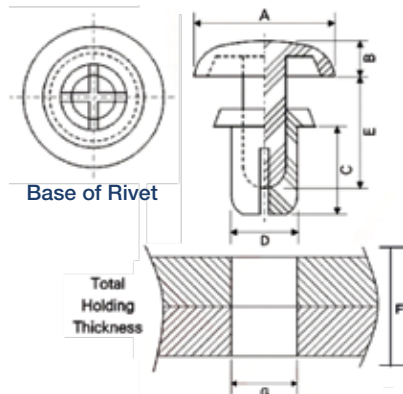
Snap Rivet TRSR  
Nylon 6 UL94V2 / TMS 052  
Nylon 46 (Heat Stabilised)  
Black/White  
mm  
1,000 per bag

Please add B for black, W for white colour.  
Flame retardant - please add V0 at the end of the part number.  
Heat resistant - add HR to part number, heat resistant to 150°C

		Insertion Force		≤ 2.5 kgf		Extraction Force		≤ 3.0 kgf	
Part Number	Colour	G	F	A	B	C	D	E	
TRSR2024	B W	2.1	0.6 ~ 1.2	4.2	1.2	2.4	2.0	2.8	
TRSR2032	B W		1.3 ~ 2.0			3.2		3.8	
TRSR2040	B W		2.1 ~ 2.8			4.0		5.5	
TRSR2048	B W		2.9 ~ 3.6			4.8		7.2	
TRSR2056	B W		3.7 ~ 4.4			5.6			
TRSR2064	B W		4.5 ~ 5.2			6.4			
		Insertion Force		≤ 3.0 kgf		Extraction Force		≤ 3.0 kgf	
Part Number	Colour	G	F	A	B	C	D	E	
TRSR2632	B W	2.7	1.0 ~ 2.0	5.0	1.4	3.2	2.6	4.6	
TRSR2642	B W		2.1 ~ 3.0			4.2		6.2	
TRSR2648	B W		2.7 ~ 3.6			4.8			
TRSR2655	B W		3.4 ~ 4.3			5.5			7.8
TRSR2664	B W		4.3 ~ 5.2			6.4			
TRSR2672	B W		5.1 ~ 6.0			7.2			
		Insertion Force		≤ 2.5 kgf		Extraction Force		≤ 3.0 kgf	
Part Number	Colour	G	F	A	B	C	D	E	
TRSR3035	B W	3.1	1.0 ~ 2.0	6.4	1.6	3.5	3.0	5.1	
TRSR3045	B W		2.0 ~ 3.0			4.5		6.1	
TRSR3050	B W		2.5 ~ 3.5			5.0			
TRSR3055	B W		3.0 ~ 4.0			5.5			7.1
TRSR3065	B W		4.0 ~ 5.0			6.5			
TRSR3075	B W		5.0 ~ 6.0			7.5		9.0	
TRSR3080	B W		5.5 ~ 6.5			8.0			
TRSR3090	B W		6.5 ~ 7.5			9.0			11.0
TRSR3100	B W		7.5 ~ 8.5			10.0			
TRSR3145	B W		11.5 ~ 13.0			14.5		15.5	
TRSR3230	B W		20.5 ~ 21.5			23.0			24.0

Part number example - TRSR3230B  
No installation tool required

## Snap Rivet - TRSR Cross



Rivet Series

Type

Material

Colour

Unit

Standard Pack

Snap Rivet TRSR Cross

Nylon 6 UL94V/2 / TMS 052

Nylon 46 (Heat Stabilised)

Black/White

mm

1,000 per bag

Please add B for black, W for white colour.

Flame retardant - please add V0 at the end of the part number.

Heat resistant - add HR to part number, heat resistant to 150°C

Part number example - TRSR6080B

Part Number	Colour		Insertion Force			Extraction Force			
			G	F	A	B	C	D	E
TRSR3535	B	W	3.6 ~ 3.7	1.1 ~ 2.1	6.4	1.6	3.5	3.5	2.8
TRSR3545	B	W		2.2 ~ 3.1			4.5		6.1
TRSR3550	B	W		2.7 ~ 3.6			5.0		7.1
TRSR3555	B	W		3.2 ~ 4.1			5.5		9.0
TRSR3560	B	W		3.7 ~ 4.6			6.0		
TRSR3570	B	W		4.7 ~ 5.6			7.0		
TRSR3580	B	W		5.7 ~ 6.6			8.0		

Part Number	Colour		Insertion Force			Extraction Force			
			G	F	A	B	C	D	E
TRSR4040	B	W	4.1 ~ 4.2	1.7 ~ 2.5	8.0	1.8	4.0	4.0	5.1
TRSR4050	B	W		2.5 ~ 3.5			5.0		7.1
TRSR4055	B	W		3.0 ~ 4.0			5.5		9.0
TRSR4060	B	W		3.5 ~ 4.5			6.0		11.0
TRSR4070	B	W		4.5 ~ 5.5			7.0		14.0
TRSR4080	B	W		5.5 ~ 6.5			8.0		16.6
TRSR4090	B	W		6.5 ~ 7.5			9.0		
TRSR4100	B	W		7.5 ~ 8.5			10.0		
TRSR4120	B	W		9.0 ~ 10.5			12.0		
TRSR4155	B	W		12.5 ~ 14.0			15.5		

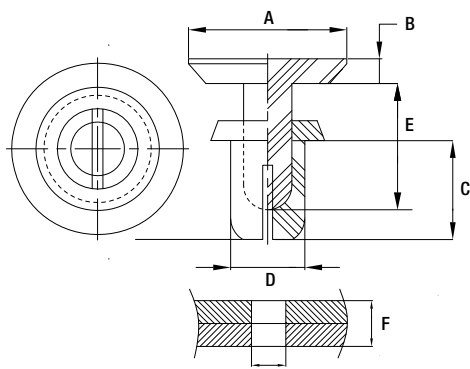
Part Number	Colour		Insertion Force			Extraction Force			
			G	F	A	B	C	D	E
TRSR5045	B	W	5.1 ~ 5.2	1.5 ~ 2.5	9.0	2.2	4.5	5.0	6.5
TRSR5055	B	W		2.5 ~ 3.5			5.5		8.5
TRSR5065	B	W		3.5 ~ 4.5			6.5		10.5
TRSR5075	B	W		4.5 ~ 5.5			7.5		12.0
TRSR5085	B	W		5.5 ~ 6.5			8.5		
TRSR5095	B	W		6.5 ~ 7.5			9.5		
TRSR5105	B	W		7.5 ~ 8.5			10.5		

Part Number	Colour		Insertion Force			Extraction Force			
			G	F	A	B	C	D	E
TRSR5865	B	W	5.9 ~ 6.0	1.0 ~ 2.0	12.0	2.7	6.5	5.8	9.0

Part Number	Colour		Insertion Force			Extraction Force			
			G	F	A	B	C	D	E
TRSR6060	B	W	6.0	2.5 ~ 4.0	12.0	2.5	6.0	30.0	9.0
TRSR6080	B	W		4.0 ~ 5.5		3.0	8.0		10.0



## Snap Rivet - TRRH



### Rivet Series

Type	Snap Rivet TRRH
Material	Nylon 6 UL94V2 / TMS 052
Colour	Black/White
Unit	mm
Standard Pack	1,000 per bag

Please add B for black, W for white colour.  
 Flame retardant - please add VO at the end of the part number.  
 Flat head eases disassembly

Part Number	Insertion Force		≤ 3.0 kgf			Extraction Force			≤ 8.0 kgf
	Colour	G	F	A	B	C	D	E	
TRRH2685	B   W	2.7	6.0 ~ 7.0	6.4	0.7	8.5	2.6	10.0	

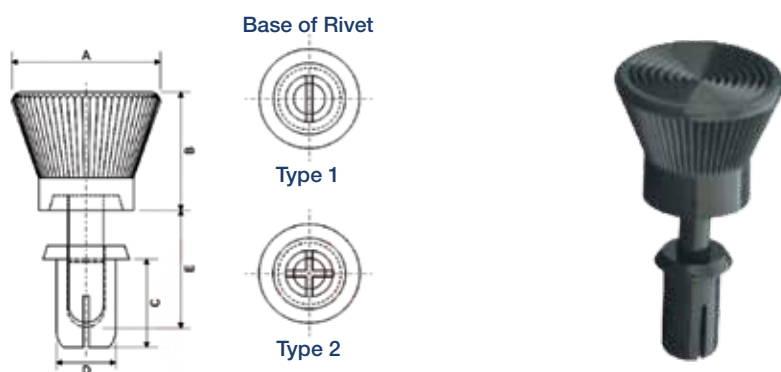
Part Number	Insertion Force		≤ 3.0 kgf			Extraction Force			≤ 8.0 kgf
	Colour	G	F	A	B	C	D	E	
TRRH3035	B   W	3.1	1.0 ~ 2.0	6.4	1.0	3.5	3.0	6.5	
TRRH3045	B   W		2.0 ~ 3.0			4.5			
TRRH3055	B   W		3.0 ~ 4.0			5.5			

Part Number	Insertion Force		≤ 3.0 kgf			Extraction Force			≤ 8.0 kgf
	Colour	G	F	A	B	C	D	E	
TRRH3065	B   W	3.1	4.0 ~ 5.0	6.0	1.0	6.5	3.0	10.0	
TRRH3075	B   W		5.0 ~ 6.0			7.5			
TRRH3080	B   W		5.5 ~ 6.5			8.0			
TRRH3090	B   W		6.5 ~ 7.5			9.0		12.0	
TRRH3100	B   W		7.5 ~ 8.5			10.0			

Part Number	Insertion Force		≤ 4.0 kgf			Extraction Force			≤ 12.0 kgf
	Colour	G	F	A	B	C	D	E	
TRRH3535	B   W	3.6	1.1 ~ 2.1	6.4	1.0	3.5	3.5	6.5	
TRRH3545	B   W		2.2 ~ 3.1			4.5			
TRRH3555	B   W		2.7 ~ 3.6	6.0		10.0			
TRRH3560	B   W		3.5 ~ 4.5	6.4					
TRRH3570	B   W		3.2 ~ 4.1	6.0				7.0	
TRRH3580	B   W		3.7 ~ 4.6					8.0	

Part number example - TRRH3580B  
 No installation tool required

## Snap Rivet - TRRT



Rivet Series  
 Type Snap Rivet T Type TRRT  
 Material Nylon 6 UL94V/2 / TMS 052  
 Colour Black/White  
 Unit mm  
 Standard Pack 1,000 per bag

Please add B for black, W for white colour.  
 Flame retardant - please add V0 at the end of the part number.

Type 1 - Suitable for 3.0 body (D)  
 Type 2 - Suitable for for 3.5 and 4.0 body (D)

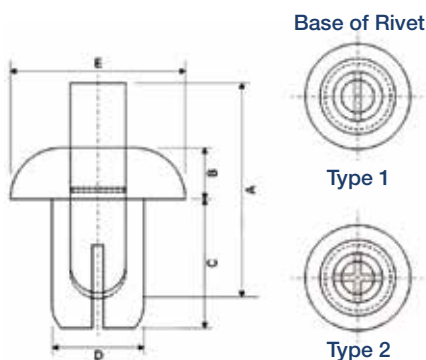
Part Number	Insertion Force		≤ 3.0 kgf		Extraction Force			≤ 8.0 kgf
	Colour	Hole DIA	Panel Thick	A	B	C	D	E
TRRT3035	B	W	1.0 ~ 2.0	10.0	8.0	3.5	3.0	6.6
TRRT3045	B	W	2.0 ~ 3.0			4.5		
TRRT3055	B	W	3.0 ~ 4.0			5.5		
TRRT3065	B	W	4.0 ~ 5.0			6.5		
TRRT3075	B	W	5.0 ~ 6.0			7.5		
TRRT3080	B	W	5.5 ~ 6.5			8.0		
TRRT3100	B	W	7.5 ~ 8.5			10.0		

Part Number	Insertion Force		≤ 4.0 kgf		Extraction Force			≤ 12.0 kgf
	Colour	Hole DIA	Panel Thick	A	B	C	D	E
TRRT3535	B	W	1.0 ~ 2.0	10.0	8.0	3.5	3.5	6.6
TRRT3545	B	W	2.0 ~ 3.0			4.5		
TRRT3555	B	W	3.0 ~ 4.0			5.5		
TRRT3560	B	W	3.5 ~ 4.5			6.0		
TRRT3570	B	W	4.5 ~ 5.5			7.0		
TRRT3580	B	W	5.5 ~ 6.5			8.0		

Part Number	Insertion Force		≤ 4.0 kgf		Extraction Force			≤ 20.0 kgf
	Colour	Hole DIA	Panel Thick	A	B	C	D	E
TRRT4050	B	W	2.5 ~ 3.5	12.0	8.0	5.0	4.0	7.6
TRRT4060	B	W	3.5 ~ 4.5			6.0		
TRRT4070	B	W	4.5 ~ 5.5			7.0		
TRRT4080	B	W	5.5 ~ 6.5			8.0		
TRRT4090	B	W	6.5 ~ 7.5			9.0		
TRRT4100	B	W	7.5 ~ 8.5			10.0		

Part number example - TRRT4100B  
 No installation tool required  
 Large head for fast assembly/disassembly

## Drive Rivet - TRPPR



Rivet Series  
 Type Drive Rivet TRPPR  
 Material Nylon 6 UL94V/2 / TMS 052  
 Colour Black/White  
 Unit mm  
 Standard Pack 1,000 per bag

Please add B for black, W for white colour.  
 Flame retardant - please add V0 at the end of the part number.

Type 1 - Suitable for 3.0 body

### Type 1

Part Number	Insertion Force		≤ 3.0 kgf		Extraction Force			≤ 8.0 kgf
	Colour	Hole DIA	Panel Thick	A	B	C	D	E
TRPPR-3045	B	W	3.1	2.0 ~ 3.0	8.9	2.0	3.0	5.8
TRPPR-3055	B	W		3.0 ~ 4.0				

### Type 2

Part Number	Insertion Force		≤ 4.0 kgf		Extraction Force			≤ 20.0 kgf	
	Colour	Hole DIA	Panel Thick	A	B	C	D	E	
TRPPR-4050	B	W	4.1	2.5 ~ 3.5	9.2	2.2	4.0	8.0	
TRPPR-4060	B	W		3.5 ~ 4.5					5.0
TRPPR-4850	B	W	4.8	1.2 ~ 3.0	10.4	3.3	5.1	4.8	9.9

Part Number	Insertion Force		≤ 5.0 kgf		Extraction Force			≤ 25.0 kgf		
	Colour	Hole DIA	Panel Thick	A	B	C	D	E		
TRPPR-5050	B	W	5.1	2.0 ~ 3.0	2.8	5.0	5.0	9.5		
TRPPR-5060	B	W		3.0 ~ 4.0					9.4	6.1
TRPPR-5070	B	W		4.0 ~ 5.0					11.4	7.1
TRPPR-5080	B	W		5.0 ~ 6.0					12.4	8.1
TRPPR-5090	B	W		6.0 ~ 7.0					13.6	8.9
TRPPR-5100	B	W		7.0 ~ 8.0					10.0	10.0

Part Number	Insertion Force		≤ 6.0 kgf		Extraction Force			≤ 30.0 kgf	
	Colour	Hole DIA	Panel Thick	A	B	C	D	E	
TRPPR-6060	B	W	6.1	2.5 ~ 4.0	9.4	1.5	6.1	6.0	10.9

Part Number	Insertion Force		≤ 8.0 kgf		Extraction Force			≤ 30.0 kgf		
	Colour	Hole Dia (G)	Panel F	A	B	C	D	E		
TRPPR8515	B	W	8.6	6.0 - 9.0	5.5	15.5	8.45	21.3		
TRPPR8515-2	B	W		11.5 - 14.5				17.0	27.4	
TRPPR8521	B	W		2.0 - 5.0				16.4	20.8	21.3
TRPPR8511	B	W							11.5	

Part number example - TRPPR-6060  
 No installation tool required

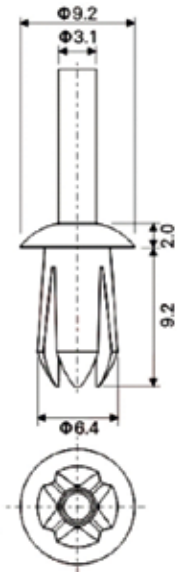
## Push Rivet - TRPR



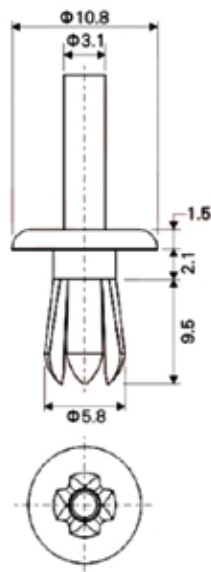
Rivet Series Nylon 6 UL HB  
 Type Push Rivets TRPR  
 Material Nylon 6 UL94V/2 / TMS 001  
 Color Black/White  
 Unit mm  
 Standard Pack 1,000 per bag

Please add B for black, W for white.  
 Flame retardant - please add V0 at the end of the part number.

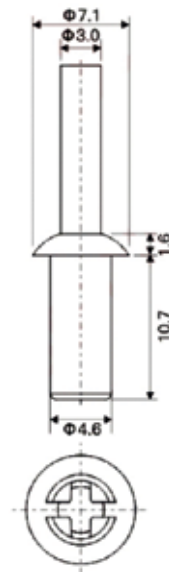
Type 1 = Hole 5.5 Range 2.5 - 6.4  
 Type 2 = Hole 4.8 Range 4 - 7.1  
 Type 3 = Hole 4.8 Range 1 - 9.5  
 Type 4 = Hole 6.4 Range 1.5 - 6.4



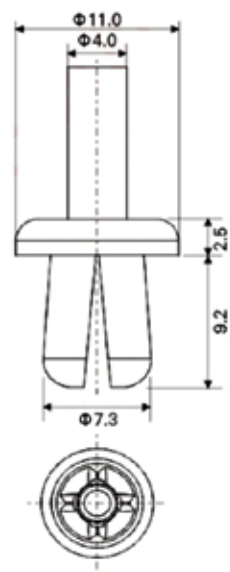
Type 1



Type 2



Type 3

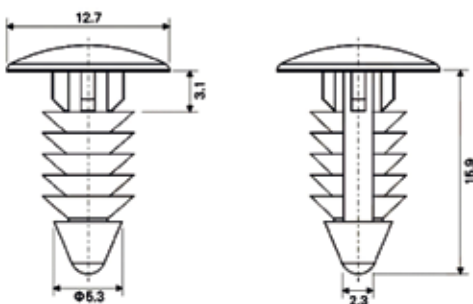


Type 4

Part Number	Colour		Type	Hole	Range
TRPR16492B	B	W	Type 1	5.5	2.5 - 6.4
TRPR25895B	B	W	Type 2	4.8	4.0 - 7.1
TRPR34610B	B	W	Type 3	4.8	1.0 - 9.5
TRPR47392B	B	W	Type 4	6.4	1.5 - 6.4

Part number example - TRPR47392Bw  
 No installation tool required

## Pawl Lock Rivet

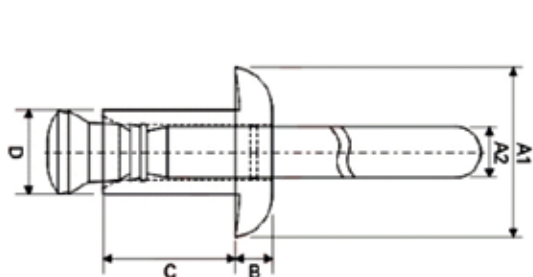


Special Products  
 Type Pawl Lock  
 Material Nylon 6/6 V2 / TMS 001  
 Colour Natural/Black  
 Hole Size 6.4 mm  
 Unit mm  
 Standard Pack 1,000 per bag

Pawl Lock  
 Nylon 6/6 V2 / TMS 001  
 Natural/Black  
 6.4 mm  
 mm  
 1,000 per bag

Part number -  
 Nylon 6/6 V2 Natural = TRPL-250-10-01-N  
 Nylon 6/6 V2 Black = TRPL-250-10-01-B

## Clinch Rivet - TRCR



Rivet Series  
 Type Clinch Rivet TRCR  
 Material (Rivet) Nylon 6 V2 / TMS 052  
 Material (Mandrel) Polycarbonate V2 / TMS 072  
 Colour (Rivet) Black/White  
 Colour (Mandrel) Clear Polycarbonate  
 Unit mm  
 Standard Pack 1,000 per bag

Part number example - TRCR56-31  
 Installation is achieved using a standard pop-rivet installation gun

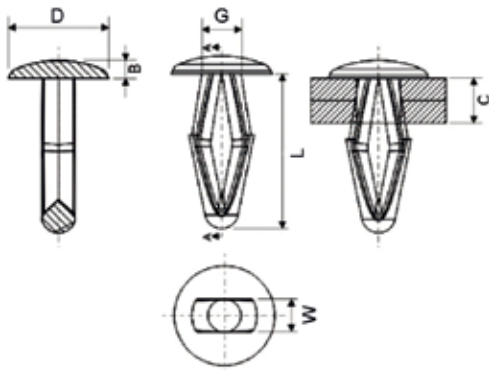
Part Number	Colour		Tensile Strength (yield) Type: 12kgf				Shear Strength Type: 12 kgf			
			Hole DIA	Panel Thick	A1	A2	B	C	D	
TRCR32-11	B	W	3.3	1.0 ~ 3.5	6.4	2.1	1.4	6.4	3.2	
TRCR32-21	B	W		3.5 ~ 6.5				9.6		
TRCR32-31	B	W		6.5 ~ 9.5				12.7		

Part Number	Colour		Tensile Strength (yield) Type: 18 kgf				Shear Strength Type: 25 kgf			
			Hole DIA	Panel Thick	A1	A2	B	C	D	
TRCR40-11	B	W	4.1	1.0 ~ 3.5	8.0	2.4	1.8	6.4	4.0	
TRCR40-21	B	W		3.5 ~ 6.5				9.6		
TRCR40-31	B	W		6.5 ~ 9.5				12.7		

Part Number	Colour		Tensile Strength (yield) Type: 18 kgf				Shear Strength Type: 25 kgf			
			Hole DIA	Panel Thick	A1	A2	B	C	D	
TRCR48-11	B	W	4.9	1.5 ~ 4.5	9.6	2.8	2.0	8.0	4.8	
TRCR48-21	B	W		4.5 ~ 7.5				11.2		
TRCR48-31	B	W		7.5 ~ 10.5				14.4		

Part Number	Colour		Tensile Strength (yield) Type: 18 kgf				Shear Strength Type: 25 kgf			
			Hole DIA	Panel Thick	A1	A2	B	C	D	
TRCR56-11	B	W	5.7	2.0 ~ 5.0	12.0	3.4	2.2	9.6	5.6	
TRCR56-21	B	W		5.0 ~ 8.0				12.7		
TRCR56-31	B	W		8.0 ~ 11.5				15.9		

## Drive Fastener - TRDF



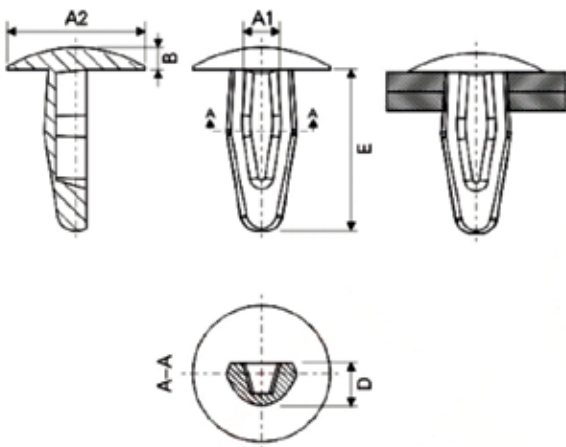
Rivet Series  
 Type Drive Fastener TRDF  
 Material POM / UL-94-HB TMS014  
 Colour Black/Natural  
 Unit mm  
 Standard Pack 1,000 per bag

Part number example - TRDF-137-010B  
 End part number with B for black or N for natural  
 No installation tool required

Other sizes available see website for details

Part Number	Colour		Hole Dia (G)	Panel C	L	D	B	W
TRDF-137-010	B	N	3.2	1.0 - 4.5	13.0	8.0	1.5	2.7
TRDF-137-020	B	N	3.9	1.0 - 5.0	14.0	9.0	1.6	2.9
TRDF-137-030	B	N	4.7	1.0 - 5.5	15.0	10.0	1.7	3.4
TRDF-137-031	B	N	4.7	1.0 - 5.5	15.0	11.0	2.9	3.4
TRDF-137-040	B	N	6.4	1.5 - 6.5	17.0	12.0	2.0	3.9
TRDF-137-050	B	N	7.8	1.5 - 7.0	19.0	14.0	2.2	4.2
TRDF-137-060	B	N	5.5	6.0 - 9.0	18.0	12.0	2.0	3.8

## Mounting Button - TRMB

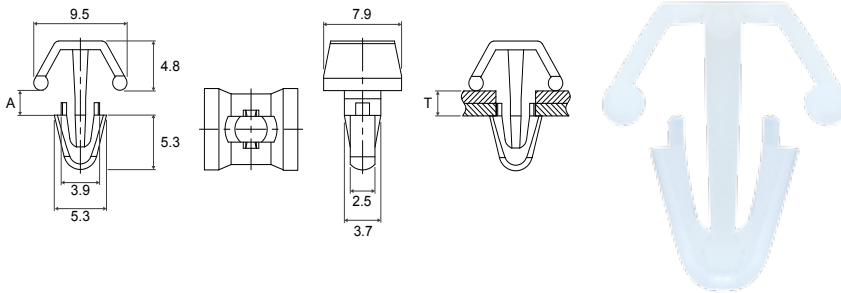


Rivet Series  
 Type Mounting Button TRMB  
 Material Nylon 6 V2 / TMS 052  
 Colour Black/Natural  
 Unit mm  
 Standard Pack 1,000 per bag

Part number example - TRMB-125-01B

Part Number	Colour		Hole DIA	Panel Thickness	A1	A2	B	D	E
TRMB-125-01	B	N	3.10 ~ 3.22	2.0 ~ 2.5	2.0	7.1	1.15	2.2	8.4
TRMB-136-01	B	N	3.22 ~ 3.58	2.9 ~ 4.0	2.4	10.3	1.70	3.2	11.1
TRMB-187-01	B	N	4.61 ~ 4.88	2.5 ~ 4.0	2.2	12.7	2.2	4.0	10.9

## Mounting Button- TRMB



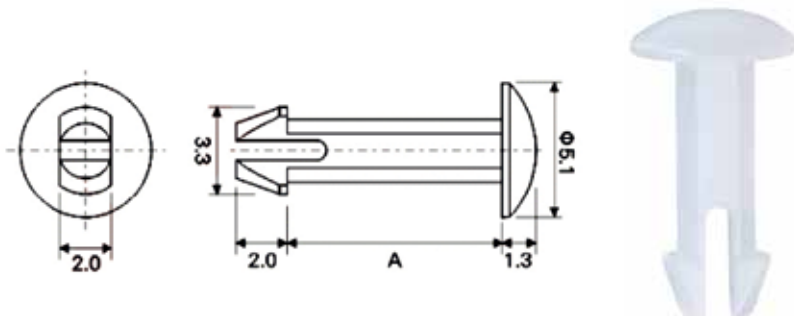
Rivet Series  
 Type Mounting Button TRMB  
 Material Nylon 66  
 Colour Black/Natural  
 Unit mm  
 Standard Pack 1,000 per bag

Part number example - TRMB-1-156B  
 No installation tool required

Other sizes available see website for details

Part Number	Colour		A	T
TRMB-1-156	B	N	0.8	0.8 - 2.4
TRMB-3-156	B	N	2.4	2.4 - 4.0
TRMB-5-156	B	N	4.8	4.8 - 5.6
TRMB-7-156	B	N	5.6	5.6 - 7.1
TRMB-9-156	B	N	7.9	7.9 - 9.5
TRMB-11-156	B	N	9.5	9.5 - 11.1
TRMB-13-156	B	N	11.1	11.1 - 12.7
TRMB-15-156	B	N	12.7	12.7 - 14.3
TRMB-17-156	B	N	14.3	14.3 - 15.9

## Snap Lock Pin - TRSLP (arrow type)



Rivet Series  
 Type Snap Lock Pin TRSLP  
 Style Open-Arrow Base  
 Material Nylon 6/6 V2 / TMS 001  
 Colour Natural  
 Unit mm  
 Standard Pack 1,000 per bag

Part number example - TRSLP-1-100-701-1  
 No installation tool required

Teardrop type also available see website for details

Part Number	Hole DIA	Panel Thickness	A
TRSLP-1-100-177-1	2.5	2.0	4.50
TRSLP-1-100-221-1			5.60
TRSLP-1-100-236-1			6.00
TRSLP-1-100-245-1			6.22
TRSLP-1-100-307-1			7.80
TRSLP-1-100-316-1			8.02
TRSLP-1-100-330-1			8.38
TRSLP-1-100-413-1			10.50
TRSLP-1-100-638-1			16.20
TRSLP-1-100-660-1			16.76
TRSLP-1-100-701-1			17.80

The following material specification is used for identification of manufacturers materials and their properties. All data is obtained from the suppliers of raw materials. It does not represent a binding guarantee. TR Fastenings reserve the right to change manufacturer without notice.

The test material according to UL (Underwriter's Laboratories Inc.R) allow classification of polymers according to their flame retardance.

With a horizontal and vertical test of fire behaviour under the influence of an open flame. Detailed information on UL ,can be downloaded at, [www.ul.com](http://www.ul.com). The ratings are: UL94 -HB/V2/V1/V0

The temperature ranges of the various materials are guidelines received from the respective raw material manufacturers. It does not represent a binding guarantee. TR Fastenings reserve the right to change manufacturer without notice.

TMS Nr.	Material	UL-File Nr.	UL Classification	RoHS Compliant	Material Temperature Range					
					°C			°F		
001	Nylon 6/6	E70062	V2	Yes	-20	-	85	-4	-	185
003	PC	E45587	HB	Yes	-40	-	115	-40	-	239
008	PP	E63499	HB	Yes	0	-	65	32	-	149
014	POM Acetal	E38860	HB	Yes	-50	-	90	-58	-	194
019	Nylon 6/6	E70062	V0	Yes	-40	-	105	-40	-	221
026	PVC	E54709	V0	Yes	0	-	105	32	-	221
039	POM Acetal	E66288	HB	Yes	-40	-	100	-40	-	212
042	TPR	E80017	HB	Yes	-60	-	135	-76	-	275
052	Nylon 6	E41871	V2	Yes	-40	-	65	-40	-	149
072	PC Polycarbonate	E123529	V2	Yes	-40	-	80	-40	-	176
103	Nylon 66/6	E41871	V0	Yes	-40	-	65	-40	-	149
120	Nylon 6	E119177	V2	Yes	-40	-	152	-40	-	306
158	TPV	E80017	HB	Yes	-50	-	90	-58	-	194
173	Nylon 6 Glass Filled	E76261	HB	Yes	-20	-	140	-4	-	284

## RoHS Directives

RoHS (Restriction on Hazardous Substances) refers to the Directive 2002/95/EC of the European Parliament of 27 January 2003 - This directive bans from 1 July 2006, the subsequent use of hazardous substances in electrical and electronic equipment. Lead, mercury, cadmium, hexavalent chromium, polybrominated Biphenyls (PBB), polybrominated biphenyl ethers (PBDEs).

The WEEE (Waste Electronic Equipment) refers to Directive 2002/95/EC of the European Parliament of 27 January 2003. This policy is primarily to avoid the waste of electrical and electronic equipment, as well as their recycling. Please contact us if you need information regarding the RoHS or WEEE.

*All data has been provided by the manufacturers of the raw materials available. It does not represent a binding guarantee TR Fastenings reserve right to change manufacturer without notice. TR Fastenings assumes no responsibility. All information (images, drawings, specifications) in this catalogue are not binding commitments and must be checked independently by the user to ensure product is fit for purpose. Technical changes are always reserved.*



## Material: Nylon (ROHS)

The material used for the moulded products is Nylon. Its many compositions have most of the properties that are required in the electrical/electronic industry such as:

- **Light Weight**
- **Strength** at low and high temperature
- **Resistance** to impact, abrasion, organic solvents and gasoline
- **Retention of shape** and stiffness at high temperature
- **Flammability rating**
- Colour: **natural and black**. All other RAL-Colours on request
- **ROHS** - Material suppliers to certify compliance with the Restriction of Hazardous Substances in electrical & electronic products.
- **Cost Reduction** where single application plastic part can replace multiple existing parts.
- **Moisture:** Nylon parts are **hygroscopic** (ability to hold water molecules drawn in from its surroundings). Therefore, when injection moulded, nylon parts **retain latent heat** from the manufacturing process and **continue to absorb moisture**.

All of our parts have **water added** before being packed in **sealed plastic bags** to ensure the integrity of the material and to prevent the parts from becoming brittle.

**We strongly recommend continued storage of plastic parts in sealed bags.**

- **Shelf Life:** All nylon products need be stored in the original, **unopened bag at 22°C to 35°C** and **50% relative humidity**. If these conditions are met the shelf life will be one year from the date of shipment.
- **UL Flame Rating:** UL94 classifications V0, V1, V2 and HB describe the flame retardancy levels for a given resin. V0 rated resins typically have the highest flame resistance followed by V1, V2 and HB.
- **Tolerances:** ,xx ± 0,25

## Acrylic Adhesive Tape (Release Tab)

- **Shelf Life:** The adhesive used has a shelf live of 12 months if stored correctly. Adhesive parts should be stored in the **original bags at room temperature of 22°C to 35°C**.
- **Surface:** The bonding surface must be **clean, uniform, dry** and **free of condensation**.
- Do not use on **fabric or rough, loose surfaces**.
- **Release Tab:** Remove the releaser liner being very careful not to touch the adhesive surface and then quickly and firmly rub the product into place. **Firm pressure** is needed to ensure full contact.
- **Tapes are not UI-rated**
- Material temperature range is: **-20°C to +60°C**.

## Quality

- All material is **ISO 14001/2004** compliant.



## Spacers and Pillars

Range: F/F Female/Female • M/F Male/Female • M/M Male/Male • Thru Hole

Materials: Steel • Stainless Steel • Brass • Aluminium • Black Nylon • White Nylon



## TR Branded Products

Our own range of fastener solutions for specific industries and applications, including:

Fasteners for sheet metal, fasteners for plastic, security fasteners, thread-locking nuts and micro-diameter fasteners from M0.6.



## Standard Fasteners

We stock and supply a vast range of standard fasteners to DIN, ISO & ANSI standards including:

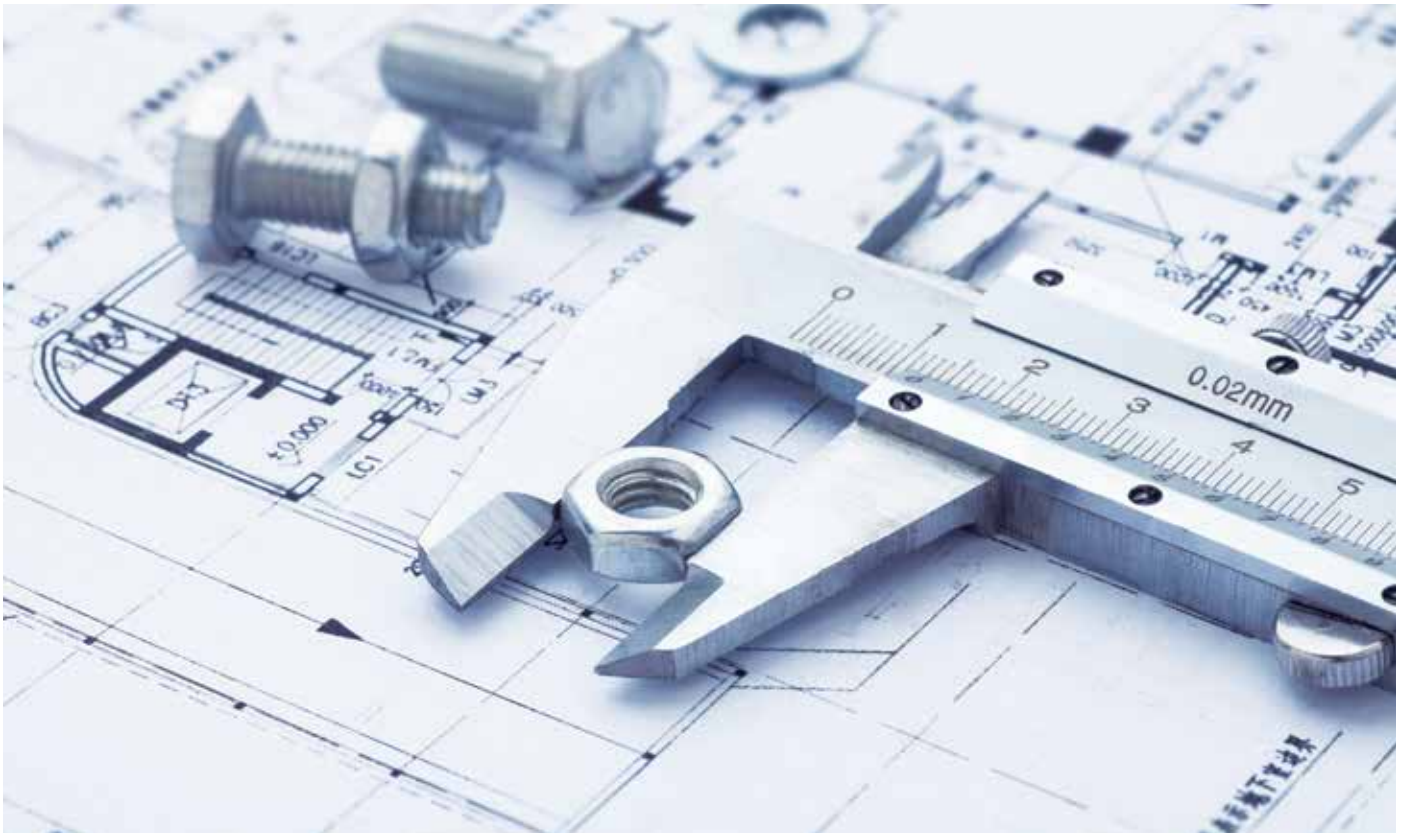
Machine screws, self-tapping screws, thread forming screws, socket products, nuts and washers.



## PCB Hardware and Cable Management

To supplement our Rivets and Screws range, TR offers a comprehensive tooled range of Circuit Board Hardware and Cable Management products.

This includes PCB Supports, Support Posts, Threaded and Non Threaded Spacers, Self Retaining Posts, Mini Supports, Dual Locking Supports, Adhesive base Supports, Cable Ties, standard, releasable, push mount, screw mount, hook and loop and marker, Tie Holders, Twist Ties, Standoff Harness and Twist Ties, Wire Saddles, Adhesive Cable Clips, P Clips and many more.



## 24 Hour Support

The TR Fastenings technical website has dimensional information on 1000's of products. This site also gives our customers access to the most comprehensive free fastener CAD library available. With over 20,000 configurations in the library, you can specify the exact size of fastener you require then download the correctly sized model in any one of 27 different 2D and 3D formats. These include: AutoCAD, Catia, Pro/Engineer, SolidWorks, DXF, IGES and STEP.

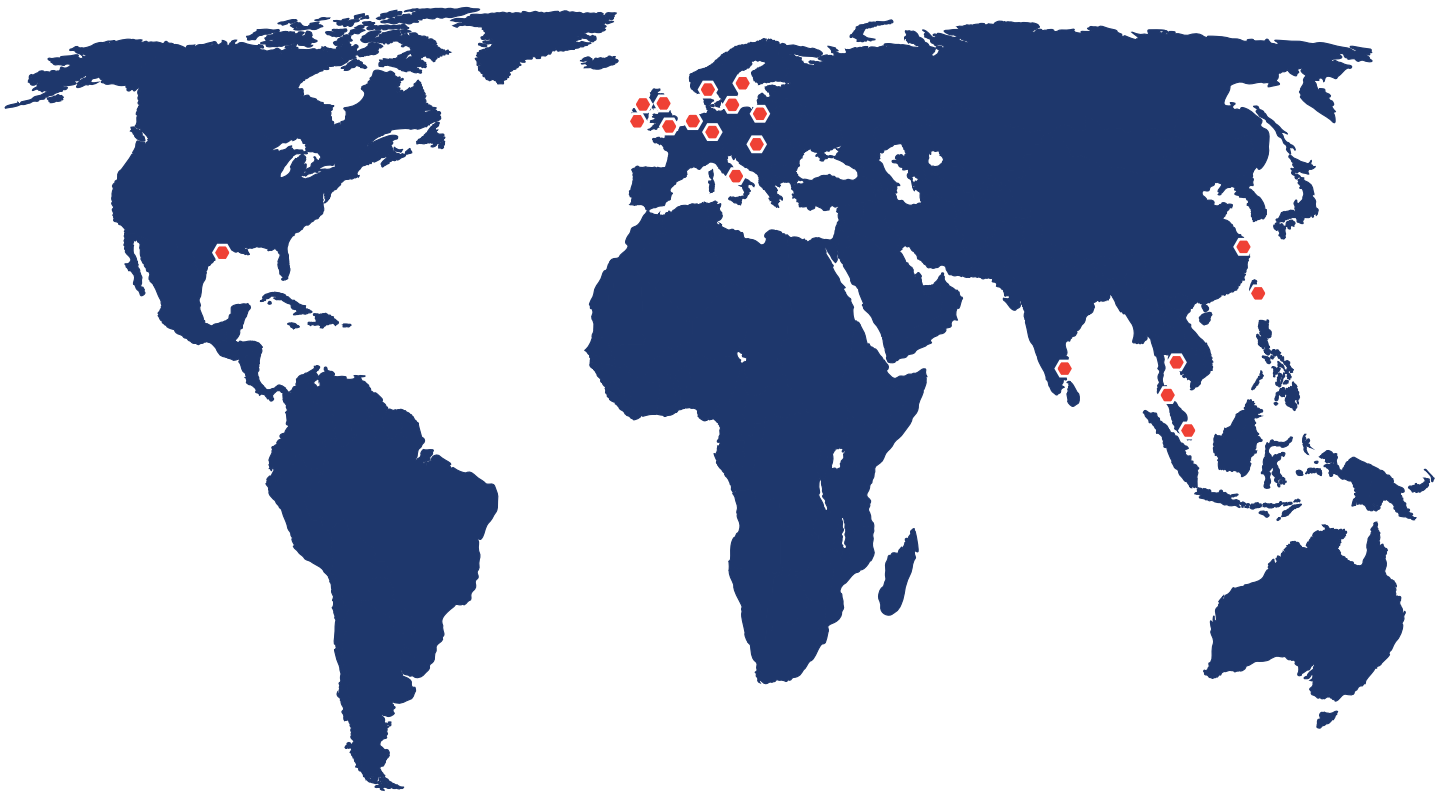
The enquiry basket has been designed to make specifying fasteners as easy as possible. We know most engineers work on many individual projects and that these projects often need fasteners. With the enquiry basket you can save fastener specifications from our site into individual projects making them much easier to find later. With our enquiry basket you can:

- Generate TR part numbers for any item on our site
- Save items into enquiries
- Create as many enquiries as you need
- Quickly send enquiries to TR

Our online product knowledge base articles have been designed to assist customer application design and assemblies.

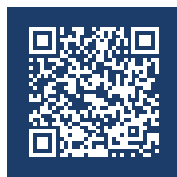
Other functions include the animation library showing a step by step guide of how our branded fasteners work, conversion calculator, and access to our engineering newsletter keeping you informed of all the latest news and developments.

[www.trfastenings.com](http://www.trfastenings.com)



## CONTACT US

[www.trfastenings.com](http://www.trfastenings.com)  
[sales@trfastenings.com](mailto:sales@trfastenings.com)  
[info@trfastenings.com](mailto:info@trfastenings.com)



Master Distributor Details

**UK**  
t: +44 (0)8454 811 800 f: +44 (0)870 458 7851  
e-mail: [uk@trfastenings.com](mailto:uk@trfastenings.com)

**Ireland**  
t: +353 (0)22 22301 f: +353 (0)22 22056  
e-mail: [ireland@trfastenings.com](mailto:ireland@trfastenings.com)

**Netherlands**  
t: +31 (0)541 511515 f: +31 (0)541 517134  
e-mail: [netherlands@trfastenings.com](mailto:netherlands@trfastenings.com)

**Norway**  
t: +47 67 06 70 00 f: +47 67 06 70 10  
e-mail: [norway@trfastenings.com](mailto:norway@trfastenings.com)

**Sweden**  
t: +46 (0)8 578 44 900 f: +46 (0)8 578 44 950  
e-mail: [sweden@trfastenings.com](mailto:sweden@trfastenings.com)

**Hungary**  
t: +36 (06)24 516 972 f: +36 (06)24 516 961  
e-mail: [hungary@trfastenings.com](mailto:hungary@trfastenings.com)

**Poland**  
t: +48 (22)402 36 14 f: +48 (22)402 36 24  
e-mail: [poland@trfastenings.com](mailto:poland@trfastenings.com)

**VIC Italy**  
t: +39 (0)75 914 9015 f: +39 (0)75 9190165  
e-mail: [info@vic.it](mailto:info@vic.it)

**TR Kuhlmann Germany**  
t: +49 (0)5246 / 50320-0 f: +49 (0)5246 / 50320-70  
e-mail: [info@trkuhlmann.com](mailto:info@trkuhlmann.com)

**Singapore**  
t: +65 6759 6033 f: +65 6759 6022  
e-mail: [singapore@trfastenings.com](mailto:singapore@trfastenings.com)

**China**  
t: +86 21 5032 5696 f: +86 21 5032 5775  
e-mail: [china@trfastenings.com](mailto:china@trfastenings.com)

**Taiwan**  
t: +866 7 552 5577 f: +886 7 552 7033  
e-mail: [taiwan@trfastenings.com](mailto:taiwan@trfastenings.com)

**Malaysia**  
t: +604 508 3931/2 f: +604 508 3942  
e-mail: [malaysia@trfastenings.com](mailto:malaysia@trfastenings.com)

**India**  
t: +91 967707 1807 m: +65 9684 1763  
e-mail: [india@trfastenings.com](mailto:india@trfastenings.com)

**Thailand**  
t: +662 041 3340 f: +662 041 3340  
e-mail: [thailand@trfastenings.com](mailto:thailand@trfastenings.com)

**USA**  
t: +1 800 280 2181 f: +1 281 807 0620  
e-mail: [usa@trfastenings.com](mailto:usa@trfastenings.com)