

# XUZAM02

accessory for sensor - XUM - protective vertical  
mounting bracket - metal



## Main

Range of product	OsiSense XU
Accessory / separate part category	Mounting and fixing accessory
Accessory / separate part type	Fixing bracket
Product or component type	Wrap around vertical mounting bracket
Accessory / separate part destination	Miniature sensor
Material	Plastic

## Complementary

Product compatibility	XUM miniature sensor
Product weight	0.062 kg

## Offer Sustainability

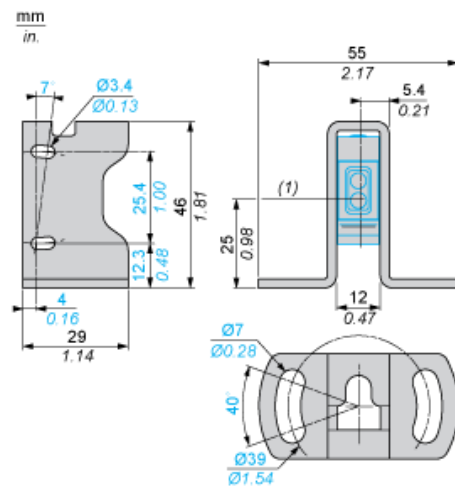
RoHS (date code: YYWW)	Compliant - since 1214 - Schneider Electric declaration of conformity <a href="#">Schneider Electric declaration of conformity</a>
------------------------	---

## Contractual warranty

Warranty period	18 months
-----------------	-----------

Disclaimer: This documentation is not intended as a substitute for and is not to be used for determining suitability or reliability of these products for specific user applications

Dimensions



(1) Optical axis