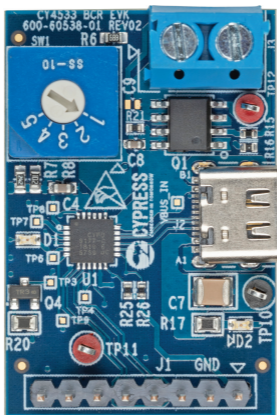




CY4533 EZ-PD™ BARREL CONNECTOR REPLACEMENT (BCR) EVALUATION KIT

The CY4533 EZ-PD™ Barrel Connector Replacement (BCR) EVK is an evaluation platform for customers who want to replace an existing barrel/power input connector with a USB-C connector.

Implementing this solution in an end-product allows the system to be powered by any USB-C compliant Power Adapter.



CY4533 EZ-PD™ BARREL CONNECTOR REPLACEMENT (BCR) EVALUATION KIT

Step 1:

Connect a USB-C Power Adapter (e.g. Apple 30W USB-C Power Adapter, not provided with the kit) to the USB-C connector of the CY4533 EZ-PD™ BCR EVK board. Observe Power LED “D2” (green color) turn ON.



Step 2:

Select the max VBUS voltage using the rotary switch SW1 which matches the voltage rating of the external load (see Step 4). The actual voltage is determined by what the Type-C power adapter can provide on the input side.

Warning: Do not sink > 5A through this EVK board.

Switch Position	Max VBUS Requested	DC_OUT Voltage*	Minimum Current Requested**
1	5V	5V	900mA
2	9V	9V	900mA
3	12V	12V*	900mA
4	15V	15V	900mA
5	20V	20V	900mA

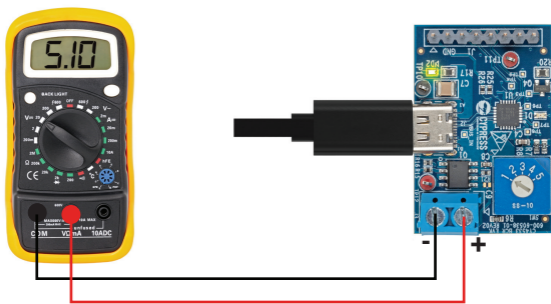
* If you use Type-C power adapters that do not support 12V PDOs, 9V will be observed. Refer to CY4533 Kit Guide for more details.

** Can be adjusted to up to 5A by changing resistors on the EVK board Refer to CY4533 Kit Guide for more details.

CY4533 EZ-PD™ BARREL CONNECTOR REPLACEMENT (BCR) EVALUATION KIT

Step 3:

Measure the DC_OUT voltage by connecting a multimeter to the Terminal Block J3 as shown.



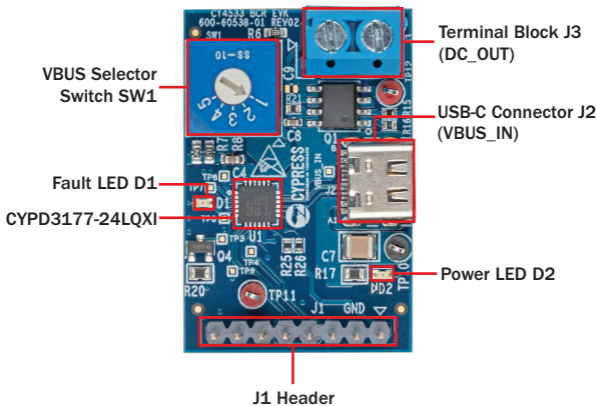
Step 4 (Optional):

As an optional step, steps 1 to 3 can be repeated with an external load connected to the DC_OUT Terminal Block J3. Refer to the CY4533 EZ-PD™ BCR EVK Kit Guide for additional details.

Warning:

- Ensure that the voltage setting on SW1 does not exceed the voltage rating of the external load connected to J3.
- Maximum current that can be consumed by an external load cannot exceed 5A.

CY4533 EZ-PD™ BARREL CONNECTOR REPLACEMENT (BCR) EVALUATION KIT



For more information about the CY4533 EZ-PD™ BCR Evaluation Kit:

Please visit www.cypress.com/CY4533

For technical support, visit www.cypress.com/support

