



### Features:

- 15W Single Output - Regulated
- Output Range: 5.1V - 24VDC
- Wide Input: 90 - 305VAC , 47 - 440Hz
- Low Standby Power <0.1W
- Height 23.5mm
- Fully Isolated Pri - Sec 4000Vrms
- EMC Compliant, No external components needed
- Materials: UL94-V0
- Safety: UL/IEC/EN62368-1, EN60335-1, CE,

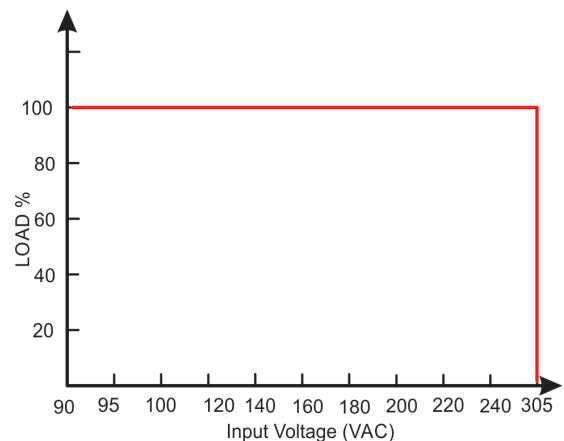
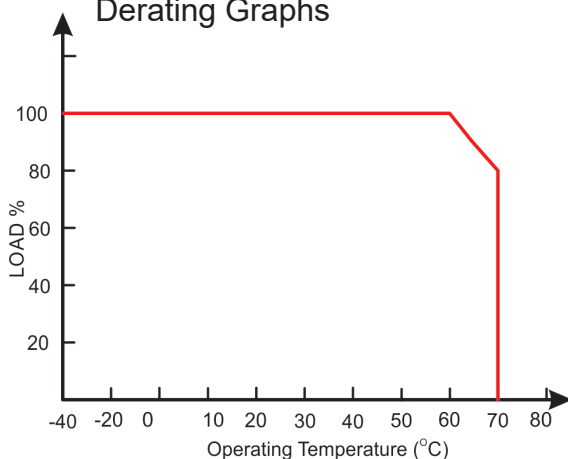
Part Number	Power Rating Watts	Output Voltage (Vdc)	Output Current (mA)	Ambient Temp. (°C)	Efficiency Typical	Input Range
VTX-214-015-205	15	5.1	3000	70	>84%	90 - 305VAC (120-430VDC)
VTX-214-015-207	15	7.5	2000			
VTX-214-015-209	15	9	1660			
VTX-214-015-212	15	12	1250			
VTX-214-015-215	15	15	1000			
VTX-214-015-224	15	24	625			

**Note: Other output voltages are available upon request.**

### Maximum Capacitive Load:

- 5V: 2000uF
- 12V: 680uF
- 15V: 220uF
- 24V: 220uF

### Derating Graphs



Please contact Vigortronix for any enquiries. Products can be altered to suit custom requirements. The information contained in this document is subject to change without notice.

Vigortronix, 16 De Havilland Way, Witney, Oxfordshire, OX29 0YG, UK

Tel. +44 (0)1993 777570 Fax. +44 (0)1993 777580 Web. www.vigortronix.com E-mail: sales@vigortronix.com

Vigortronix is a trading name of Vigortronix (UK) Limited

Vigortronix.com

Model: 15Watt		Specification
<b>INPUT</b>  <b>Pin 1: L</b> <b>Pin 2: N</b>	Voltage Range	90 - 305VAC / 47 - 440Hz (120 ~ 430VDC)
	Current	490mA Max (115VAC) / 320mA Max (230VAC)
	Inrush Current	30A Max (115VAC) / 60A Max (230VAC)
	No Load power	0.1W
	Leakage Current	0.25 mA
<b>OUTPUT</b>  <b>Pin 3: VDC+</b> <b>Pin 4: VDC-</b>	Voltage Accuracy	+/- 2%
	Ripple	<240mV Max (Vp-p)
	Noise	<3% Vout Max (Vp-p)
	Efficiency	>83%
	Load Regulation	+/-1.5% (+/-3% 5.0VDC)
	Hold Up Time	36mSec Min.
	Minimum Load	0
<b>Protection</b>	Over Power	Hiccup mode
	Over Voltage	Zener Diode clamp
	Short Circuit Protection	Hiccup mode
<b>Dielectric Isolation</b>	Input to Output	4000Vrms, 2Sec Min.
<b>Enviroment</b>	Operating Temperature	-40°C - +70°C (With Derating)
	Storage Temperature	-40°C - +85°C
	<b>MTBF</b>	>400,000Hrs @ 25°C (MIL-HDBK-217F)
	Weight	60g
	<b>Cooling Method</b>	Free Air convection
<b>Safety</b>	Compliant Standards	UL/IEC/EN62368-1, EN60335-1
<b>EMC</b>	EMI	Compliance with EN55032 Class B
	EMS	Compliance with EN55035

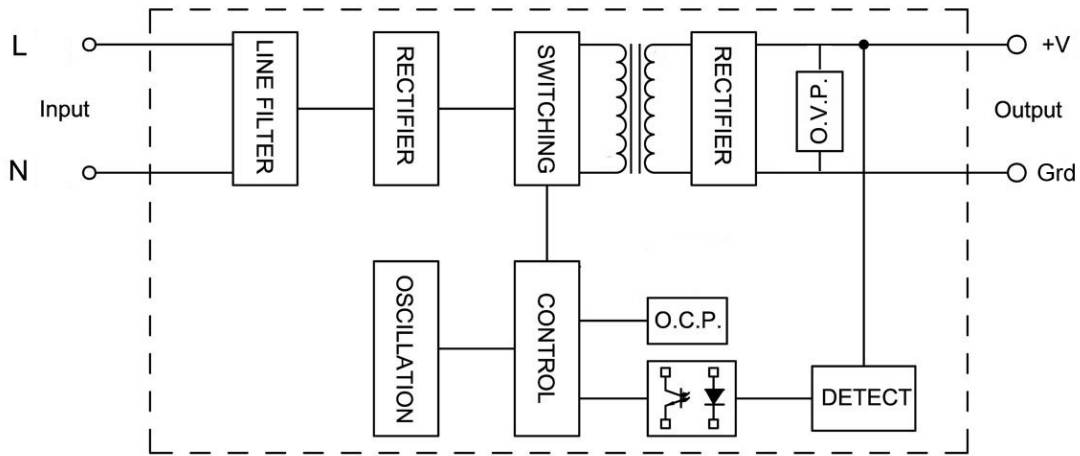
Please contact Vigortronix for any enquiries. Products can be altered to suit custom requirements.  
 The information contained in this document is subject to change without notice.

Vigortronix, 16 De Havilland Way, Witney, Oxfordshire, OX29 0YG, UK

Tel. +44 (0)1993 777570 Fax. +44 (0)1993 777580 Web. www.vigortronix.com E-mail: sales@vigortronix.com

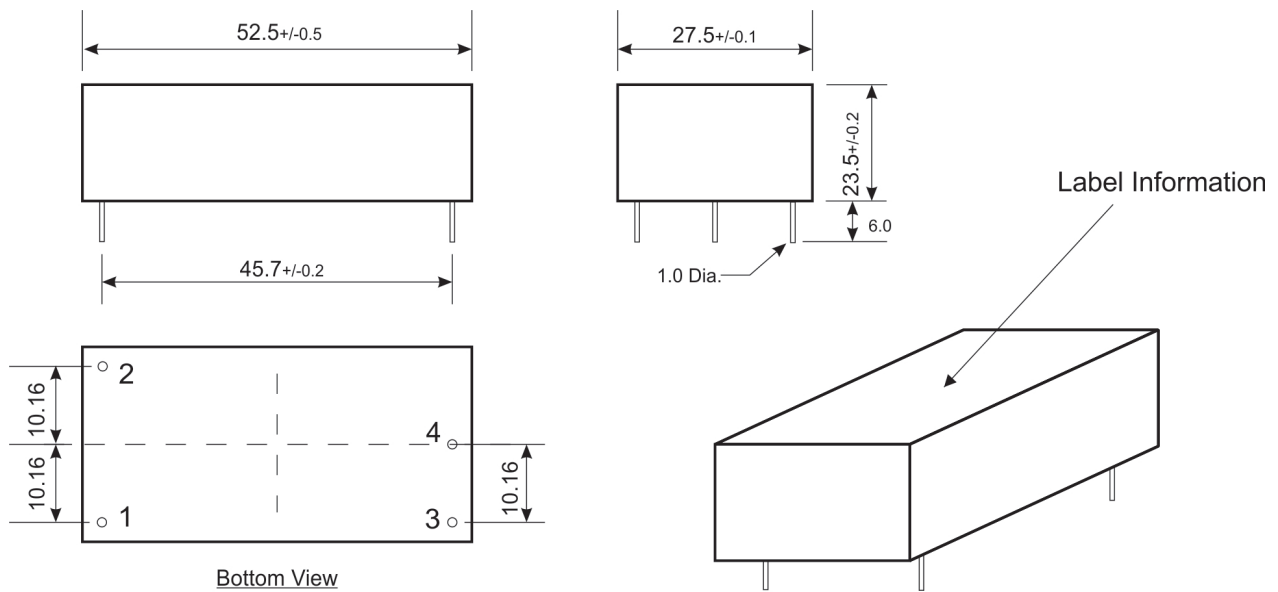
Vigortronix is a trading name of Vigortronix (UK) Limited

## Schematic Diagram



Notes:

## Mechanical Layout



No.	Pin	Function
1	L	AC Input Line
2	N	AC Input Neutral
3	+V	DC Output +
4	-V	DC Output -

Recommended PCB  
Hole size: 1.2mm Dia.

Unit weight: 60g

Please contact Vigortronix for any enquiries. Products can be altered to suit custom requirements.  
The information contained in this document is subject to change without notice.

Vigortronix, 16 De Havilland Way, Witney, Oxfordshire, OX29 0YG, UK

Tel. +44 (0)1993 777570 Fax. +44 (0)1993 777580 Web. www.vigortronix.com E-mail: sales@vigortronix.com

Vigortronix is a trading name of Vigortronix (UK) Limited

**Vigortronix.com**