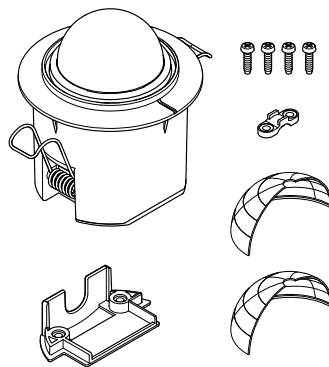


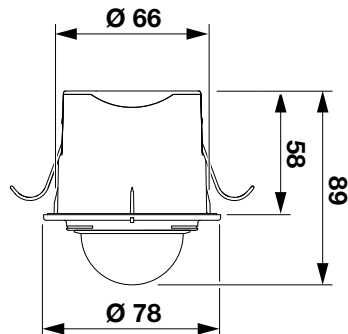


- DE16 Textteil beachten!
GB22 Follow written instructions!
FR27 Suivre les instructions ci-après !
NL33 Tekstpassage in acht nemen!
IT38 Osservare il testo!
ES43 ¡Obsérvese la información textual!
PT48 Siga as instruções escritas
SE53 Följ den skriftliga montageinstruktionen.
DK58 Følg de skriftlige instruktioner!
FI63 Huomioi tekstiosa!
NO68 Se tekstdelen!
GR73 Τηρείτε γραπτές οδηγίες!
TR78 Yazılı talimatlara uyunuz!
HU83 A szóveges utasításokat tartsa meg!
CZ88 Dodržujte písemné pokyny!
SK93 Dodržiavajte písomné informácie!
PL98 Postępować zgodnie z instrukcją!
RO103 Respectați instrucțiunile următoare!
SI108 Upoštečajte besedilo!
HR113 Pridržavajte se uputa!
EE118 Järgige tekstiosa!
LT123 Atsižvelgti į rašytines instrukcijas!
LV128 Pievērsiet uzmanību teksta daļai!
RU133 Соблюдать текстовую инструкцию!
BG138 Прочетете инструкциите!
CN143 遵守文字说明要求!

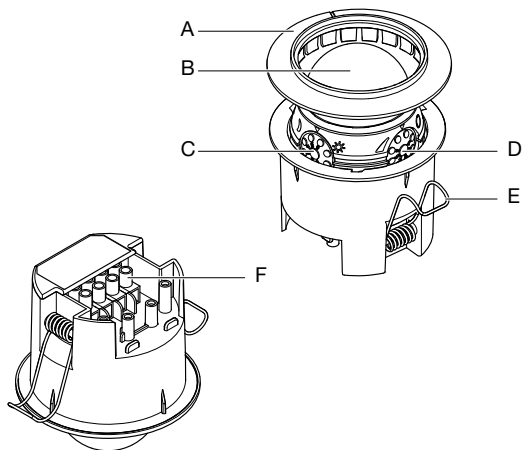
3.1



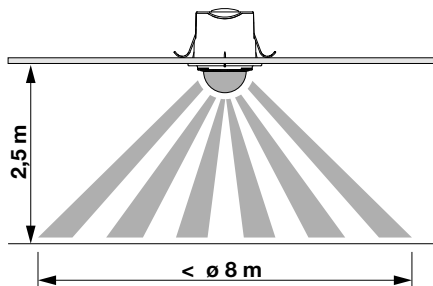
3.2



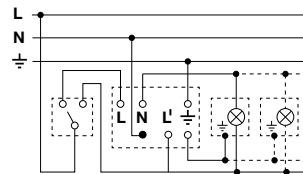
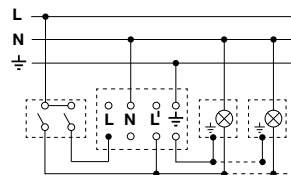
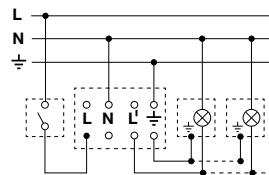
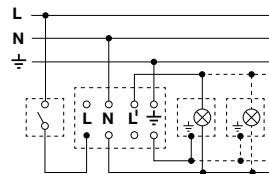
3.3

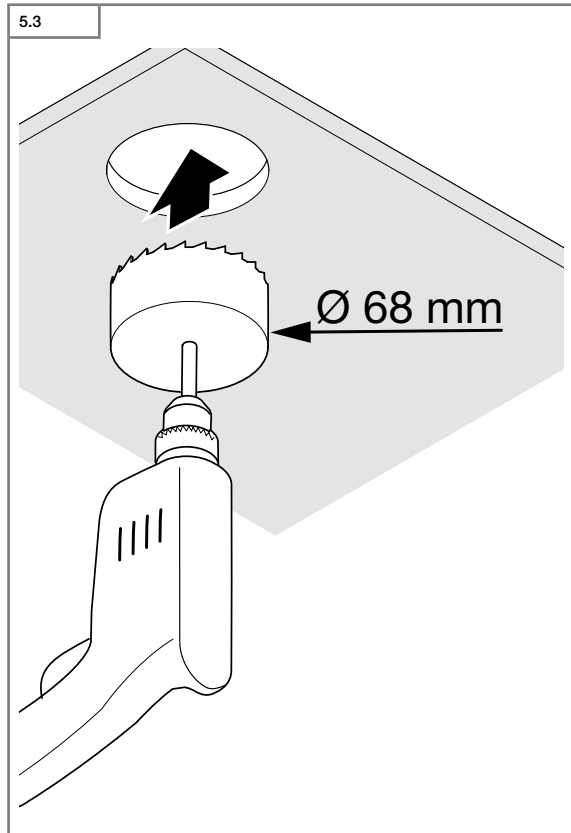
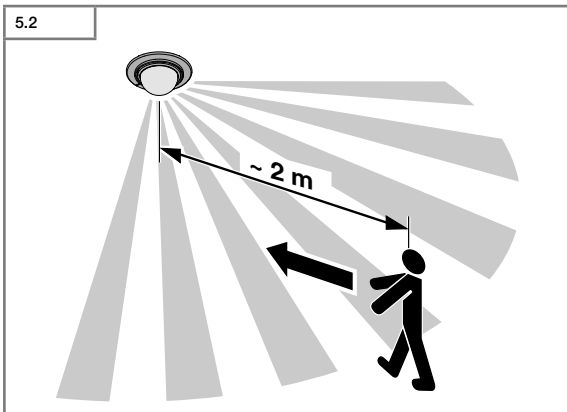
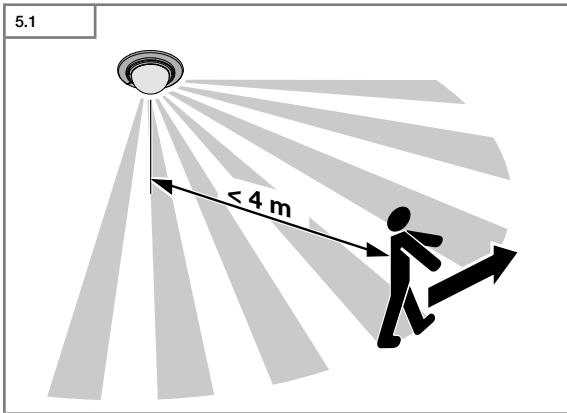


3.4

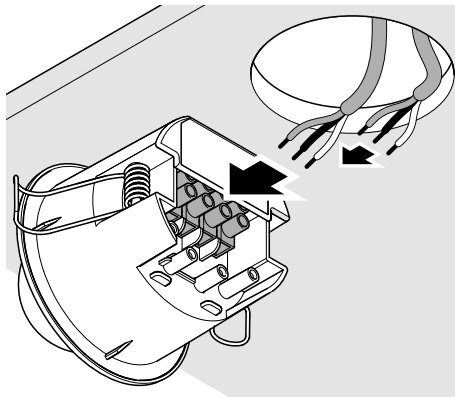


4.1

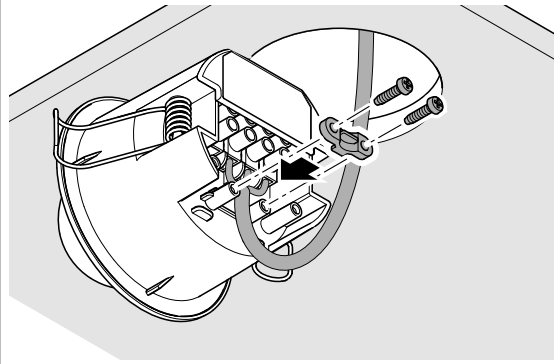




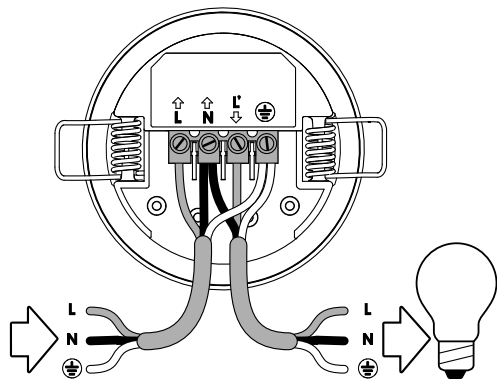
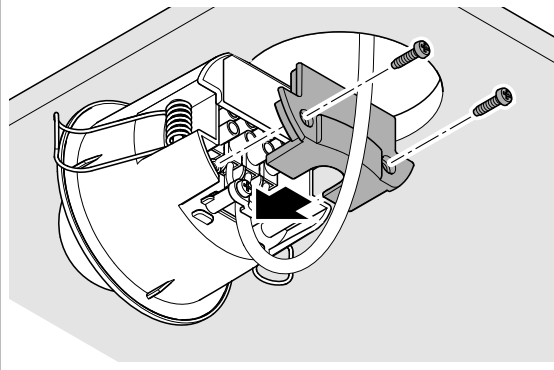
5.4

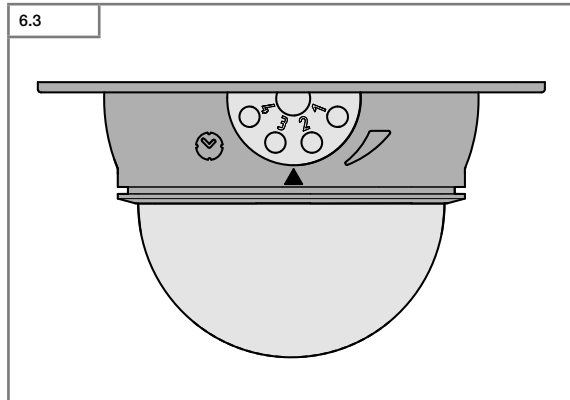
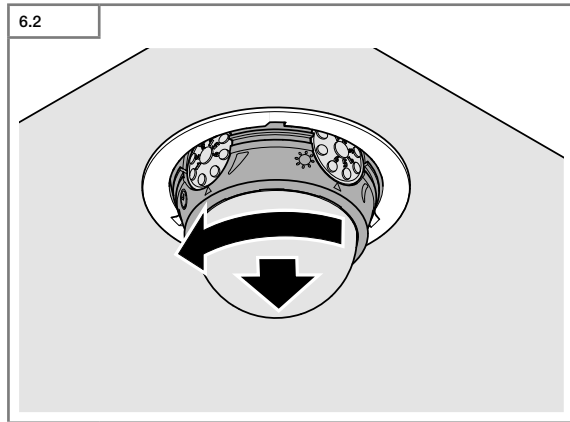
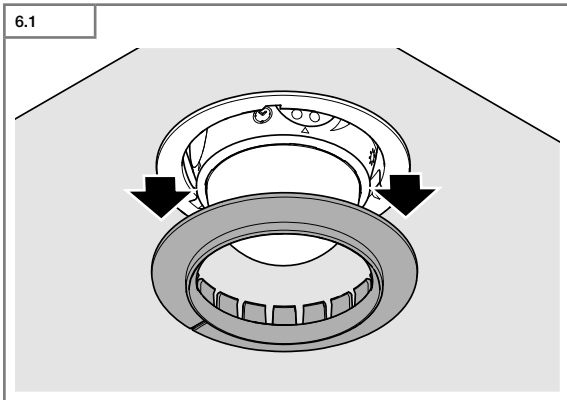
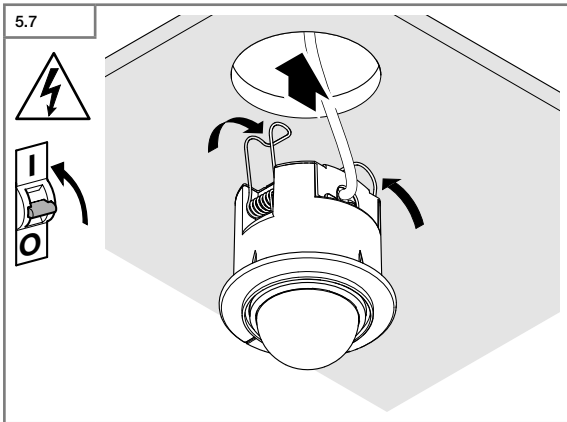


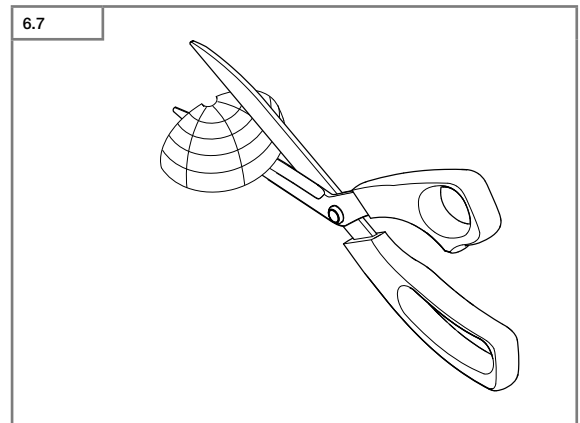
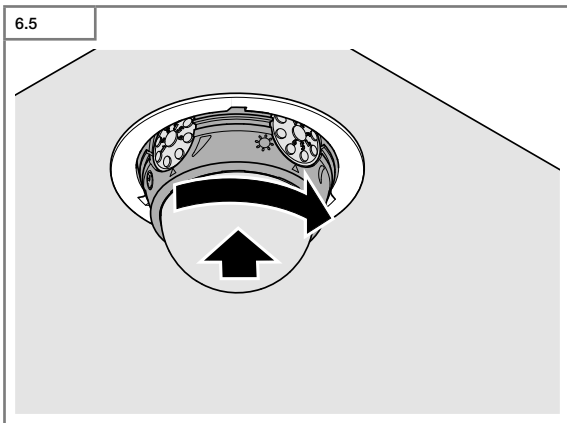
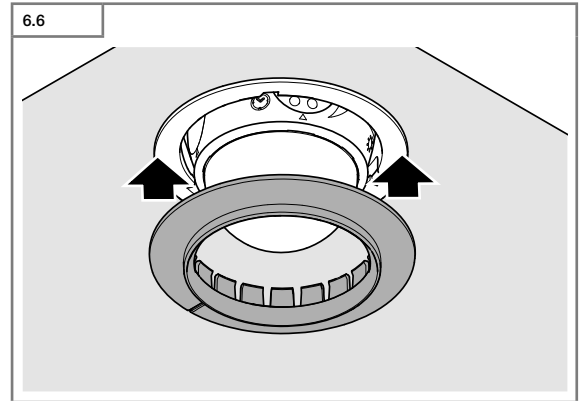
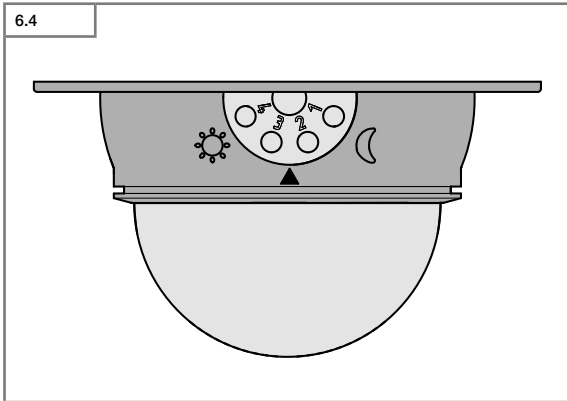
5.5

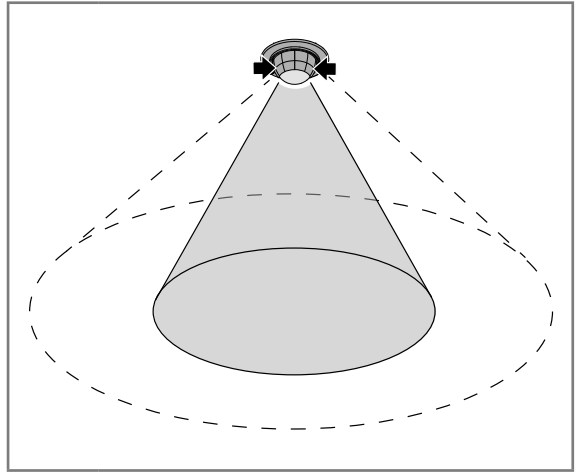
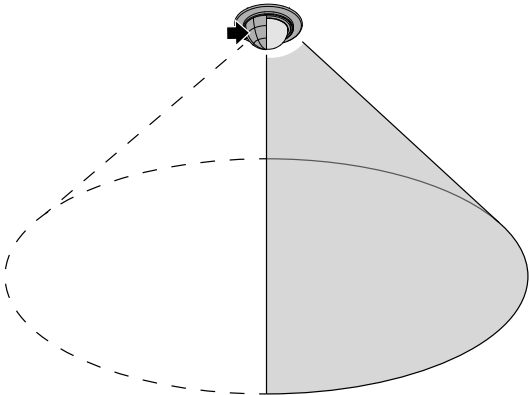
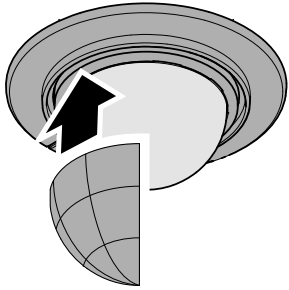


5.6









1. About this document

Please read carefully and keep in a safe place.

- Under copyright. Reproduction either in whole or in part only with our consent.
- Subject to change in the interest of technical progress.

Symbols



Hazard warning!



Reference to other information in the document.

2. General safety precautions



Disconnect the power supply before attempting any work on the unit.

- During installation, the electric power cable to be connected must not be live. Therefore, switch off the power first and use a voltage tester to make sure the wiring is off-circuit.
- Installing the sensor involves work on the mains power supply. This work must therefore be carried out professionally in accordance with national wiring regulations and electrical operating conditions.
- Only use genuine replacement parts.
- Repairs may only be made by specialist workshops.

3. IS 360-1 DE

Proper use

- Sensor for recessing in indoor and outdoor ceilings.

Movement triggers lights, alarms and many other devices. For your convenience, safety and peace of mind. The integrated pyroelectric infrared detector senses the invisible heat radiated from moving objects (people, animals, etc.). The heat detected in this way is converted electronically into a signal that switches ON the connected load. Heat is not detected through obstacles, such as walls or panes of glass, and will therefore not activate the light.

The infrared sensor can be used for switching light ON and OFF automatically. The unit is not suitable for burglar alarm systems as it is not tamperproof in the manner prescribed for such systems.

Package contents (Fig. 3.1)

Product dimensions (Fig. 3.2)

Product components (Fig. 3.3)

- A Designer ring
- B Lens / lens enclosure
- C Twilight setting control dial
- D Time setting control dial
- E Clamping spring
- F Terminal block compartment

Reach (Fig. 3.4)

4. Electrical installation

- Switch OFF power supply (Fig. 4.1)

The mains power supply lead is a 3-core cable:

- L = phase conductor (usually black, brown or grey)
- N = neutral conductor (usually blue)
- PE = protective-earth conductor (usually green/yellow)

Important: Incorrectly wired connections will produce a short circuit later on in the product or your fuse box. In this case, you must identify the individual cables and reconnect them. An appropriate power switch for switching ON and OFF can be installed in the supply lead.

Important: After connecting the power supply leads, always fit the cable clamp or cable clip to relieve strain on the cable. (Fig. 5.5)

The cable grip is suitable for cable diameters of 8.5 mm to 10 mm.

Connection diagram (Fig. 4.1)

Fig. 4.1/a

Light without neutral conductor

Fig. 4.1/b

Light with neutral conductor

Fig. 4.1/c

Connection via two-circuit single-interruption switch for manual and automatic operation

Fig. 4.1/d

Connection via two-way switch for manual override and automatic operation
Setting I: Automatic operation
Setting II: Manual operation, light permanently ON

Note: The system can only be switched OFF when installed as shown in Fig. 4.1/c.

5. Mounting

- Check all components for damage.
- Do not use the product if it is damaged.
- Select an appropriate mounting location, taking the reach and motion detection into consideration (Fig. 5.1 / 5.2). The most reliable way of detecting movement is to install the sensor aimed across the direction in which a person would walk and by ensuring that no obstacles (such as trees, walls etc.) obstruct the line of sensor vision.

Mounting procedure

- Switch OFF power supply.
- Drill ø 68 mm ceiling cut-out. (Fig. 5.3)
- Connect conductors. (Fig. 5.4)
- Fit cable clamp or cable clip to relieve strain on the cable. (Fig. 5.5)
- Screw cover onto the terminal block compartment. (Fig. 5.6)
- Set the clamping springs to the upright position and fit the unit into the ceiling cut-out. (Fig. 5.7)
- Switch ON power supply. (Fig. 5.7)
- Set functions → "6. Function".

6. Function

Factory settings

Twilight level: 2000 lux
Time setting: 8 s

- Detach designer ring from the enclosure. (Fig. 6.1)
- Unscrew the sensor (anticlockwise) to reach the control dial.

Time setting (Fig. 6.3)

The time you wish the connected light to stay ON for can be infinitely adjusted from approx. 8 s to a maximum of 35 min.

Control dial position 1 is the shortest time, approx. 8 s.

Control dial position 6 is the longest time, approx. 35 s.

Note: It is recommended that the shortest time be set when adjusting the sensor for the detection zone and performing a function test.

Twilight setting (Fig. 6.4)

The desired response threshold of the detector can be infinitely varied from approx. 2 - 2000 lux.

Position 1 is daylight operation, approx. 2000 lux.

Position 6 is night-time operation, approx. 2 lux.

- After making the function settings, screw the sensor back in (clockwise) to return it to the home position. (Fig. 6.5)
- Push the designer ring onto the enclosure (Fig. 6.6)

Reach setting (Fig. 6.7 / 6.8)

The detection zone can be optimised to suit requirements. The shrouds supplied with the sensor can be used to mask out as many lens segments as you wish or shorten reach to suit the particular situation. This prevents the light from being activated unintentionally, e.g. by cars, passers-by etc. and allows you to target danger spots. The shrouds can be separated along the pre-grooved divisions in the vertical and horizontal directions or cut with scissors.

7. Operation / maintenance

Weather conditions may affect the way the motion detector works. Strong gusts of wind, snow, rain or hail may cause the light to come ON when it is not wanted because the sensor is unable to distinguish between sudden changes of temperature and sources of heat. The detector lens may be cleaned with a damp cloth if it gets dirty (do not use cleaning agents).

8. Disposal

Electrical and electronic equipment, accessories and packaging must be recycled in an environmentally compatible manner.



Do not dispose of electrical and electronic equipment as domestic waste.

EU countries only:

Under the current European Directive on Waste Electrical and Electronic Equipment and its implementation in national law, electrical and electronic equipment no longer suitable for use must be collected separately and recycled in an environmentally compatible manner.

9. Manufacturer's warranty

This STEINEL product has been manufactured with utmost care, tested for proper operation and safety and then subjected to random sample inspection. Steinel guarantees that it is in perfect condition and proper working order. The warranty period is 36 months and starts

on the date of sale to the consumer. We will remedy defects caused by material flaws or manufacturing faults. The warranty will be met by repair or replacement of defective parts at our own discretion. The warranty shall not cover damage to wear parts, damage or defects caused by improper treatment or maintenance. Further consequential damage to other objects shall be excluded. Claims under the warranty will only be accepted if the unit is sent fully assembled and well-packed with a brief description of the fault, a receipt or invoice (date of purchase and dealer's stamp) to the appropriate Service Centre.

Service:

Our Customer Service Department will repair faults not covered by warranty or after the warranty period has expired. Please send the product well-packed to your nearest Service Centre.

3 YEAR
MANUFACTURER'S
WARRANTY

10. Technical specifications

Dimensions, Ø x H	78 x 89 mm
Minimum installation depth	54 mm less thickness of ceiling panel
Mains power supply	220-240 V, 50 / 60 Hz
Output	
Incandescent / halogen lamp load	1000 W
Fluorescent lamps, electronic ballast	430 W
Fluorescent lamps, uncorrected	500 VA
Fluorescent lamps, series-corrected	406 VA
Fluorescent lamps, parallel-corrected	406 VA
Low-voltage halogen lamps	1000 W
LED < 2 W	16 W
2 W < LED < 8 W	64 W
LED > 8 W	64 W
Capacitive load	132 µF
Sensor technology	Passive infrared
Angle of coverage	360°
Reach	max. 4 m
Time setting	8 s - 35 min
Twilight setting	2-2000 lux
IP rating	IP54
Temperature range	-20°C to +40°C

11. Troubleshooting

Malfunction	Cause	Remedy
Without power	<ul style="list-style-type: none">■ Fuse faulty, not switched ON■ Short circuit	<ul style="list-style-type: none">■ Replace fuse, turn ON mains switch, check lead with voltage tester■ Check connections
Does not switch ON	<ul style="list-style-type: none">■ Twilight setting in night-time mode during daytime operation■ Bulb faulty■ Mains power switch OFF■ Fuse faulty	<ul style="list-style-type: none">■ Adjust setting■ Replace light bulbs■ Switch ON■ Fit new fuse, check connection if necessary
Does not switch OFF	<ul style="list-style-type: none">■ Continuous movement in the detection zone■ Light being operated is located in detection zone and keeps switching ON as a result of temperature change■ Set to continuous operation via indoor two-circuit single interruption switch	<ul style="list-style-type: none">■ Check zone■ Check zone■ Set two-circuit single interruption switch to automatic operation
Keeps switching ON/OFF	<ul style="list-style-type: none">■ Light being operated is located in detection zone■ Animals moving in the detection zone	<ul style="list-style-type: none">■ Check zone■ Check zone
Switches ON when it should not	<ul style="list-style-type: none">■ Wind is moving trees and bushes in the detection zone■ Cars in the street are being detected■ Sudden temperature changes due to weather (wind, rain, snow) or air expelled from fans, open windows	<ul style="list-style-type: none">■ Check zone■ Check zone■ Change detection zone, change mounting location

FR

1. À propos de ce document

Veillez le lire attentivement et le conserver en lieu sûr !

- Il est protégé par la loi sur les droits d'auteur. Une réimpression même partielle n'est autorisée qu'après notre accord préalable.
- Sous réserve de modifications techniques.

Explication des symboles



Attention danger !



Renvoi à des passages dans le document.

2. Consignes de sécurité générales



Avant toute intervention sur l'appareil, couper l'alimentation électrique !

- Pendant le montage, les conducteurs à raccorder doivent être hors tension. Il faut donc d'abord couper le courant et s'assurer de l'absence d'alimentation à l'aide d'un testeur de tension.
- L'installation du détecteur implique une intervention sur le réseau électrique et doit donc être effectuée correctement et conformément à la norme NF C-15100.
- Utiliser uniquement des pièces de rechange d'origine.
- Les réparations ne doivent être effectuées que par des ateliers spécialisés.

3. IS 360-1 DE

Utilisation conforme aux prescriptions

- Détecteur pour l'encastrement au plafond, à l'intérieur et à l'extérieur.

Le mouvement pilote l'éclairage, une alarme et bien plus. Pour votre confort et votre sécurité. Le détecteur infrarouge pyroélectrique intégré détecte le rayonnement de chaleur invisible émis par les corps en mouvement (personnes, animaux, etc.). Ce rayonnement de chaleur capté est ensuite traité par un système électronique qui enclenche le consommateur branché. Les obstacles comme les murs ou les vitres s'opposent à la détection du rayonnement de chaleur et empêchent toute commutation. Le détecteur infrarouge est conçu pour la commutation automatique de l'éclairage. Il n'est toutefois pas prévu pour les alarmes spéciales anti-intrusion car il n'est pas protégé contre le vandalisme.

Contenu de la livraison (Fig. 3.1)

Dimensions du produit (Fig. 3.2)

Vue d'ensemble de l'appareil (Fig. 3.3)

A Anneau design

B Lentille/Boîtier de la lentille

C Bouton de réglage de la luminosité de déclenchement

D Bouton de réglage de la temporisation

E Ressort de fixation

F Espace de raccordement du domino

Portée (Fig. 3.4)

4. Installation électrique

- Couper l'alimentation électrique (Fig. 4.1)