

### Main

Accessory / separate part designation	Flexible mounting kit
Accessory / separate part destination	Ø 58 mm encoder with through shaft
Accessory / separate part category	Mounting accessories
Accessory / separate part type	Anti-rotation device
Product compatibility	XCC15..T XCC25..T XCC3514T
Kit composition	1 flexible fixing Screws

### Complementary

Product weight	0.02 kg
----------------	---------

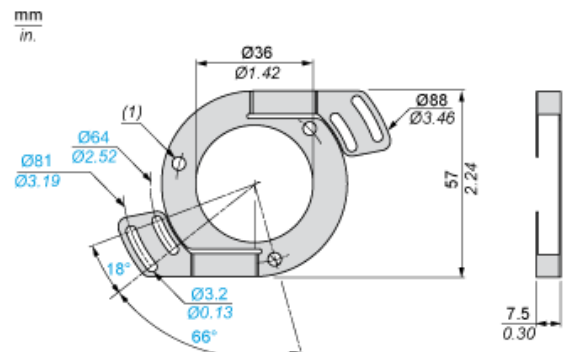
### Offer Sustainability

RoHS (date code: YYWW)	Compliant - since 0701 - Schneider Electric declaration of conformity <a href="#">Schneider Electric declaration of conformity</a>
REACH	Reference not containing SVHC above the threshold Reference not containing SVHC above the threshold

### Contractual warranty

Warranty period	18 months
-----------------	-----------

Dimensions



- (1) 3 holes Ø 4.1 at 120° on 48 PCD. TC M3 x 6 screw fixings