

### Main

Accessory / separate part designation	Flexible mounting kit
Accessory / separate part destination	Ø 90 mm encoder with through shaft
Accessory / separate part category	Mounting accessories
Accessory / separate part type	Anti-rotation device
Product compatibility	XCC19..T XCC29..T XCC39..T
Kit composition	Screws Set of 2 flexible fixings

### Complementary

Product weight	0.03 kg
----------------	---------

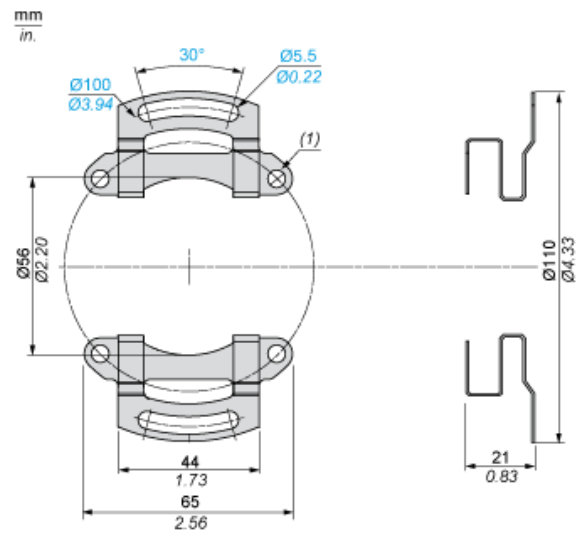
### Offer Sustainability

RoHS (date code: YYWW)	Compliant - since 0701 - Schneider Electric declaration of conformity <a href="#">Schneider Electric declaration of conformity</a>
REACH	Reference not containing SVHC above the threshold Reference not containing SVHC above the threshold

### Contractual warranty

Warranty period	18 months
-----------------	-----------

Dimensions



(1) 4 holes  $\varnothing 5.2$  at  $90^\circ$  on 78 PCD. TH M5 x 6 screw fixings