

02 0260

Quicklock circular connectors, IP67



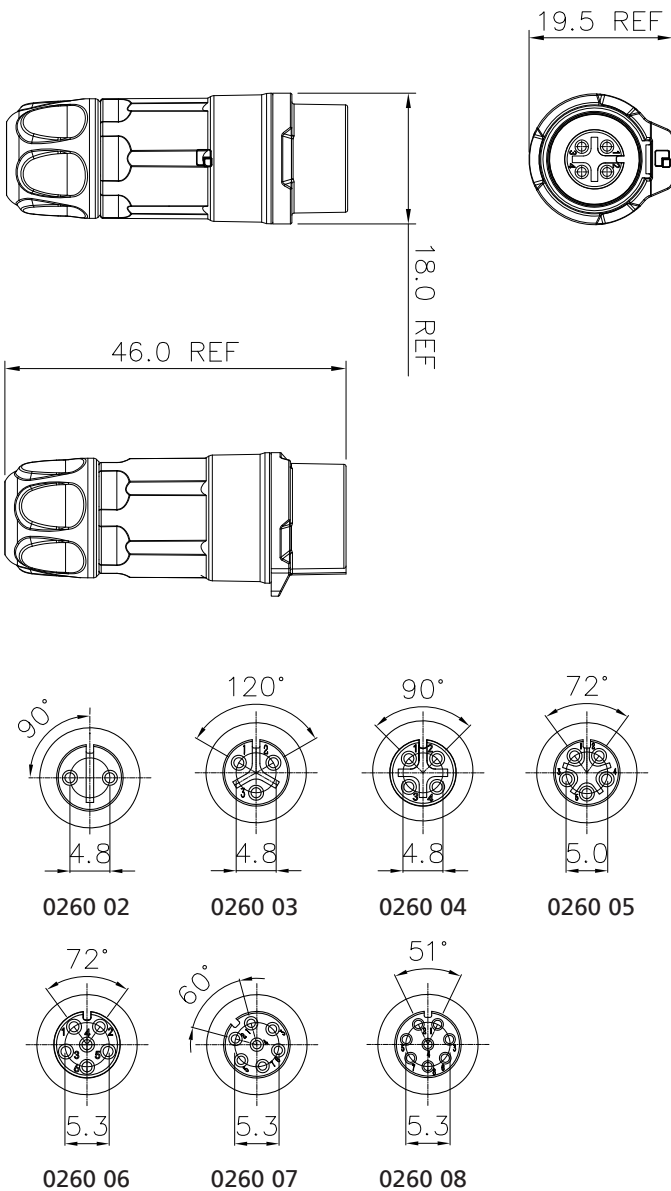
Quicklock socket, IP67, size 12, straight version, with plastic housing and solder terminals

---

Approvals:  

---

02 0260



**Environmental conditions**

Temperature range -40 °C/+80 °C

**Materials**

Insulating body/handle PBT, V-0 according to UL94  
 Contact bush CuSn, gold-plated  
 Cap nut PBT, V-0 according to UL94

**Mechanical data**

Mating cycles 1700  
 Insertion force ≤ 80 N  
 Withdrawal force ≤ 50 N  
 Protection class IP67

**Connectable conductors for solder area**

Section ≤ 1.5 mm<sup>2</sup> (2 poles)  
 ≤ 1.0 mm<sup>2</sup> (3-5 poles)  
 ≤ 0.75 mm<sup>2</sup> (6-8 poles)  
 Cable diameter 3.0-6.0 mm

**Electrical data (at T<sub>amb</sub> 20 °C)**

Contact resistance ≤ 10 mΩ  
 Rated current 5 A (2-6 poles)  
 3 A (7-8 poles)  
 Rated voltage 125 V  
 Rated impulse voltage 1500 V AC  
 Creepage distance ≥ 1,5 mm  
 Clearance ≥ 0,5 mm  
 Insulation resistance > 500 MΩ

**Associated products**

Counterparts  
 ☞ 0250

02 0260

Designation	Pole Number	PU (Pieces)	MDQ (Pieces)
0260 02	2	15	60
0260 03	3	15	60
0260 04	4	15	60
0260 05	5	15	60
0260 06	6	15	60
0260 07	7	15	60
0260 08	8	15	60

**Packaging:**

in individual plastic bags, in a cardboard box