

- Ultra wide 4:1 input voltage 6 W DC/DC converter in a compact DIP-24 plastic case
- I/O isolation 5000 VACrms rated for 250 VACrms working voltage
- Certification according to IEC/EN/ES 60601-1 3rd edition for 2xMOPP
- Risk management process according to ISO 14971 including risk management file
- Acceptance criteria for electronic assemblies according to IPC-A-610 Level 3
- Low leakage current < 2µA
- Extended operating temperature range -40°C to 90°C.
- EMC compliance to IEC 60601-1-2 4th edition and EN55032 class A
- Operating up to 5000m altitude
- 5 year product warranty



The THM-6WI series is a range of medical 6 Watt DC/DC converters in DIP-24 plastic package and with ultra-wide 4:1 input voltage range. They provide a reinforced isolation system for 5000 VACrms isolation and a very low leakage current of less than 2 µA. The units are approved to IEC/EN/ES 60601-1 3rd edition for 2 × MOPP (Means Of Patient Protection) and come along with an ISO 14971 risk management file. Design and production conform to the quality management system ISO 13485. With a high efficiency of up to 87% and highest grade components the converters can reliably operate in an ambient temperature range of -40°C up to +90°C. They constitute a reliable solution not only for medical equipment but also for demanding ranges of application such as transportation, control & measurement or IGBT drivers.

Models				
Order code*	Input voltage range	Output voltage	Output current max.	Efficiency typ.
THM 6-0510WI	4.5 – 9 VDC (5 VDC nominal)	3.3 VDC	1800 mA	82.5 %
THM 6-0511WI		5.0 VDC	1200 mA	86.0 %
THM 6-0512WI		12 VDC	500 mA	86.0 %
THM 6-0513WI		15 VDC	400 mA	86.0 %
THM 6-0515WI		24 VDC	250 mA	86.5 %
THM 6-0521WI		±5.0 VDC	±600 mA	84.0 %
THM 6-0522WI		±12 VDC	±250 mA	86.5 %
THM 6-0523WI		±15 VDC	±200 mA	87.5 %
THM 6-2410WI	9.0 – 36 VDC (24 VDC nominal)	3.3 VDC	1800 mA	83.0 %
THM 6-2411WI		5.0 VDC	1200 mA	86.5 %
THM 6-2412WI		12 VDC	500 mA	89.0 %
THM 6-2413WI		15 VDC	400 mA	89.0 %
THM 6-2415WI		24 VDC	250 mA	88.5 %
THM 6-2421WI		±5.0 VDC	±600 mA	85.0 %
THM 6-2422WI		±12 VDC	±250 mA	88.5 %
THM 6-2423WI		±15 VDC	±200 mA	88.0 %
THM 6-4810WI	18 – 75 VDC (48 VDC nominal)	3.3 VDC	1800 mA	82.5 %
THM 6-4811WI		5.0 VDC	1200 mA	86.5 %
THM 6-4812WI		12 VDC	500 mA	88.0 %
THM 6-4813WI		15 VDC	400 mA	89.0 %
THM 6-4815WI		24 VDC	250 mA	88.0 %
THM 6-4821WI		±5.0 VDC	±600 mA	85.0 %
THM 6-4822WI		±12 VDC	±250 mA	88.0 %
THM 6-4823WI		±15 VDC	±200 mA	88.0 %

* Suffix -B2 for trim option with adjustable output
 Suffix -B3 for remote-control option
 Suffix -B4 for trim + remote-control option

Input Specifications

Input current no load	5 Vin models: 20 mA typ. 24 Vin models: 6 mA typ. 48 Vin models: 4 mA typ.	
Surge voltage (3 s max.)	5 Vin models: 16 V max. 24 Vin models: 50 V max. 48 Vin models: 100 V max.	
Start-up voltage	5 Vin models: 4.5 VDC (or lower) 24 Vin models: 9 VDC (or lower) 48 Vin models: 18 VDC (or lower)	
Startup time	30 ms	
Under voltage shut down	5 Vin models: 4 VDC typ. 24 Vin models: 8 VDC typ. 48 Vin models: 16 VDC typ.	
EMC emissions	<ul style="list-style-type: none"> – Conducted & Radiated input suppression – Application note for filter class B proposal 	EN 55011 limits to IEC 60601-1-2 4th edition EN 55032 class A (internal filter) www.tracopower.com/overview/thm6wi
EMC immunity	<ul style="list-style-type: none"> – Generic for Medical equipment – ESD (electrostatic discharge) – Radiated immunity – Fast transient / surge (with external input capacitor / diode) – Conducted immunity – Magnetic field immunity 	IEC/EN 60601-1-2 4th edition EN 61000-4-2, air ±15 kV, contact ±8 kV, perf. criteria A EN 61000-4-3, 10 V/m, perf. criteria A EN 61000-4-4, ±2 kV, perf. criteria A EN 61000-4-5, ±2 kV perf. criteria A 5 Vin models: Nippon chemi-con KY 1000 µF/ 25 V and reverse diode (Vishay V10P45) in parallel 24 Vin models: Nippon chemi-con KY 470 µF/ 50 V 48 Vin models: Nippon chemi-con KY 330 µF/ 100 V EN 61000-4-6, 10 Vrms, perf. criteria A EN 61000-4-8 100 A/m, continuous, perf. criteria A 1000 A/m, 1 sec., perf. criteria A
External input fuse required (recommended values, slow blow type)	5 Vin models: 2.5 A 24 Vin models: 1.25 A 48 Vin models: 0.63 A	

Output Specifications

Voltage set accuracy		$\pm 1\%$ max.
Output voltage adjustment (for THM 6WI -B2 / -B4 option models only)		
– Single output	15 & 24 Vout models:	$-10 / +20\%$ other models: $\pm 10\%$
– Dual output	5, 12 & 15 Vout models:	$\pm 10\%$
Regulation		
– Input variation	single output:	0.2% max. dual output: 0.5% max.
– Load variation (0 – 100 %)	single output:	0.2% max. dual output: 1.0% max.
– Cross regulation	dual output:	5.0% max. (asymmetrical load 25/100%)
Minimum load		not required
Ripple and noise (20 MHz Bandwidth)	3.3 & 5.0 Vout models:	30 mVp-p typ. with cap. 10 μ F/25 V X7R MLCC
	12 & 15 Vout models:	40 mVp-p typ. with cap. 10 μ F/25 V X7R MLCC
	24 Vout models:	50 mVp-p typ. with cap. 4.7 μ F/50 V X7R MLCC
Transient response	– Recovery time (25% load step change)	250 μs typ.
Over load protection		at 150 % typ. of Iout rated (hiccup mode)
Short circuit protection		Continuous, automatic recovery
Over voltage protection		
– Single output	3.3 Vout models:	3.7 – 5.4 VDC
	5.0 Vout models:	5.6 – 7.0 VDC
	12 Vout models:	13.5 – 19.6 VDC
	15 Vout models:	18.3 – 22.0 VDC
	24 Vout models:	29.1 – 32.5 VDC
– Dual output	± 5 Vout models:	5.6 – 7.0 VDC
	± 12 Vout models:	13.5 – 18.2 VDC
	± 15 Vout models:	17.0 – 22.0 VDC

All specifications valid at nominal input voltage, full load and +25°C after warm-up time unless otherwise stated.

General Specifications

Capacitive load	– Single output	3.3 Vout models:	2'100 µF max.
		5.0 Vout models:	1'500 µF max.
		12 Vout models:	260 µF max.
		15 Vout models:	210 µF max.
		24 Vout models:	75 µF max.
– Dual output	±5 Vout models:	860 µF max. (each output)	
	±12 Vout models:	150 µF max. (each output)	
	±15 Vout models:	110 µF max. (each output)	
Temperature ranges	– Industrial / Commercial rating	–40°C to +90°C (without derating)	
	– Medical IEC/EN 60601-1 rating	–40°C to +70°C (without derating)	
	– Case temperature	+105°C max.	
	– Storage temperature	–55°C to +125°C	
Thermal impedance		18°C/W	
Humidity (non condensing)		5 % to 95 % rel H max.	
Isolation voltage (50 Hz, 60 s)	– to meet ES/IEC/EN 60601-1	5000 VACrms, rated for 250 VACrms working voltage, 2 × MOPP	
Clearance/creepage		8 mm min.	
Leakagecurrent (at 240 VAC, 60 Hz)		2 µA max.	
Isolation capacitance (input/output)		17 pF max.	
Altitude during operation		5000 m	
Temperature coefficient		±0.02 %/K typ.	
Reliability, calculated MTBF (MIL-HDBK-217F at +25°C, ground benign)		4'700'000 h	
Switching frequency		250 kHz ±25 kHz (pulse width modulation)	
Vibration and thermal shock resistance		according to MIL-STD-810F	
Remote On/Off (for THM 6WI -B3 / -B4 option models only)	– Off	2.2 – 12 VDC (referred to -Vin pin)	
	– On	open circuit or 0 – 1.2 VDC (referred to -Vin pin)	
	– Off idle current	2.5 mA typ.	
	– Remote pin input current	–0.5 mA min.	
		1 mA max.	
Safety standards/approvals	– Medical equipment	ANSI/AAMI ES60601-1:2005/(R)2012, IEC/EN60601-1 3rd edition	
	– Certification documents	www.tracopower.com/overview/thm6wi	
Environmental compliance	– Reach	www.tracopower.com/info/reach-declaration.pdf	
	– RoHS	RoHS directive 2011/65/EU	

Physical Specifications

Casing material	non-conductive black plastic
Base material	non-conductive black plastic
Potting material	silicone (UL94 V-0 rated)
Package weight	14 g (0.48 oz)
Soldering temperature	265°C / 10 s max.

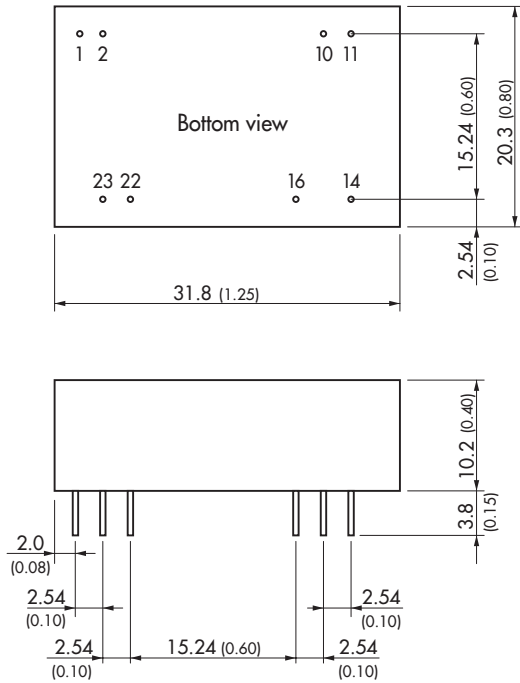


- The component is not be used in an oxygen rich environment.
- The component is not to be used in conjunction with flammable anaesthetics and agents.
- The component has to be disposed appropriately. Please refer to local regulations (Waste Electrical and Electronic Equipment).
- A modification of the component is not allowed.

All specifications valid at nominal input voltage, full load and +25°C after warm-up time unless otherwise stated.

Outline Dimensions

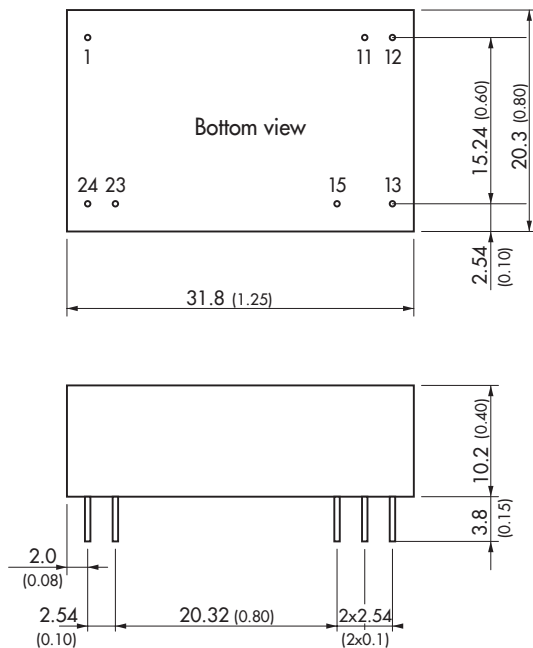
Standard pinning with options: suffix **-B2** (with Trim); **-B3** (with Remote); **-B4** (with Trim and Remote)



Standard Pinout		
Pin	Single	Dual
1	No Pin*/Remote	No Pin*/Remote
2	-Vin (GND)	-Vin (GND)
10	No Pin*/Trim	No Pin*/Trim
11	No con.	-Vout
14	+Vout	+Vout
16	-Vout	Common
22	+Vin (Vcc)	+Vin (Vcc)
23	+Vin (Vcc)	+Vin (Vcc)

*If Remote or Trim is not selected there is no pin on corresponding number

Optional pinning: suffix **-A1**



Optional Pinout		
Pin	Single	Dual
1	+Vin (Vcc)	+Vin (Vcc)
11	No pin	Common
12	-Vout	No pin
13	+Vout	-Vout
15	No pin	+Vout
23	-Vin (GND)	-Vin (GND)
24	-Vin (GND)	-Vin (GND)

Remark: No suffix **-A1** for 5 Vin models. Corresponding parts are with THM 6 series by default. see www.tracopower.com/overview/thm6

Dimensions in [mm], () = Inch
 Tolerances ± 0.5 (± 0.02)
 Pin $\varnothing 0.6 \pm 0.1$ (0.024 ± 0.004)
 Pin pitch tolerances ± 0.25 (± 0.01)