

Connector

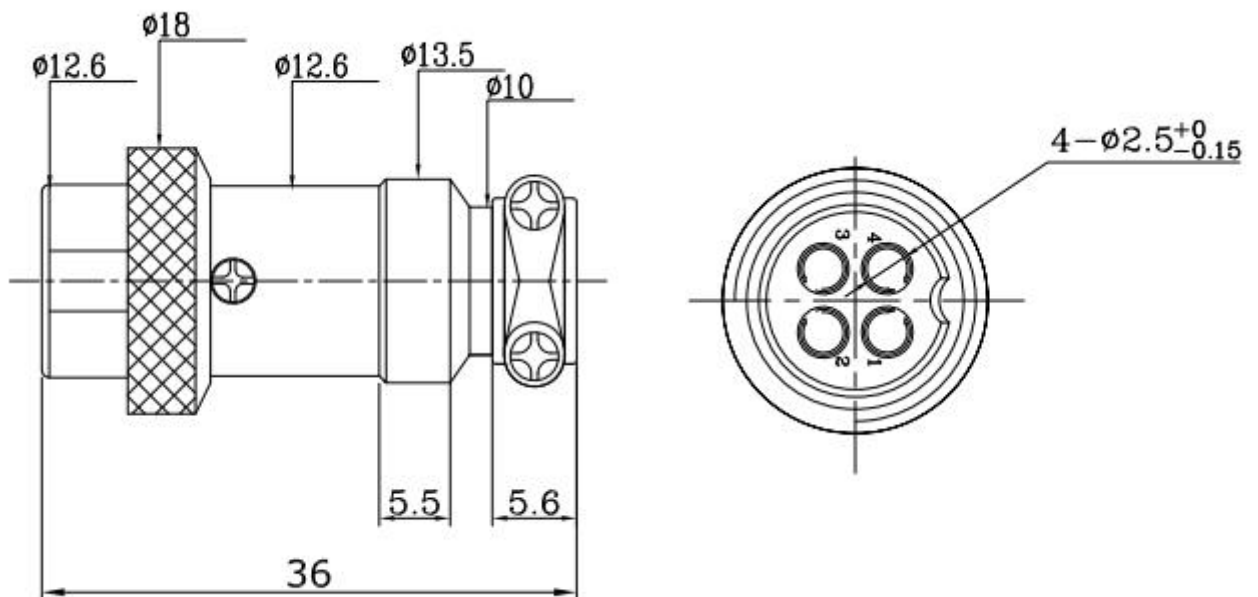


Specification:

Part Number:	PSG08609
Description:	Socket, Multipole, 4 Pole
No. of Contacts:	4 Contacts
Body Material:	Zinc Alloy
Plating:	Nickel Plated

Standards:

RoHS compliant



Dimensions may differ from those shown