



Advisory – PCN UPDATE

Product Group: Vishay Siliconix/ March 20, 2019

SUBJECT: POD update related to PCN SIL-0092017

Dear Valued Customer:

This advisory is being provided to you as an announcement that when the subject PCN was issued on July 18, 2017 for additional commercial Power Mosfet manufacturing capacity at GEM Electronics for Vishay's TO-220 Full-Pack package, the document did not articulate some of the differences for the dimensions as the GEM version of the package is slightly different.

The updated POD drawing is below for your reference. We have already started the process to update the POD/package dimensions on all our documentation including the Vishay website.

As the subject PCN already expired, you might be getting products based on either options. We believe the differences are small enough not to expose any quality or reliability risk to your production.

This is an advisory and does not require your response. Please do not hesitate to contact us if you have any questions or need further information.

Sincerely,

Michael Hsieh
Vishay Siliconix
Manager, Product Marketing

Vishay Intertechnology, Inc.

Corporate Headquarters 63 Lincoln Highway, Malvern, PA 19355-2143 U.S.A. Phone (610) 644-1300 Fax (610) 296-0657 www.vishay.com

ONE OF THE WORLD'S LARGEST MANUFACTURERS OF DISCRETE SEMICONDUCTORS AND PASSIVE COMPONENT

Procedure #



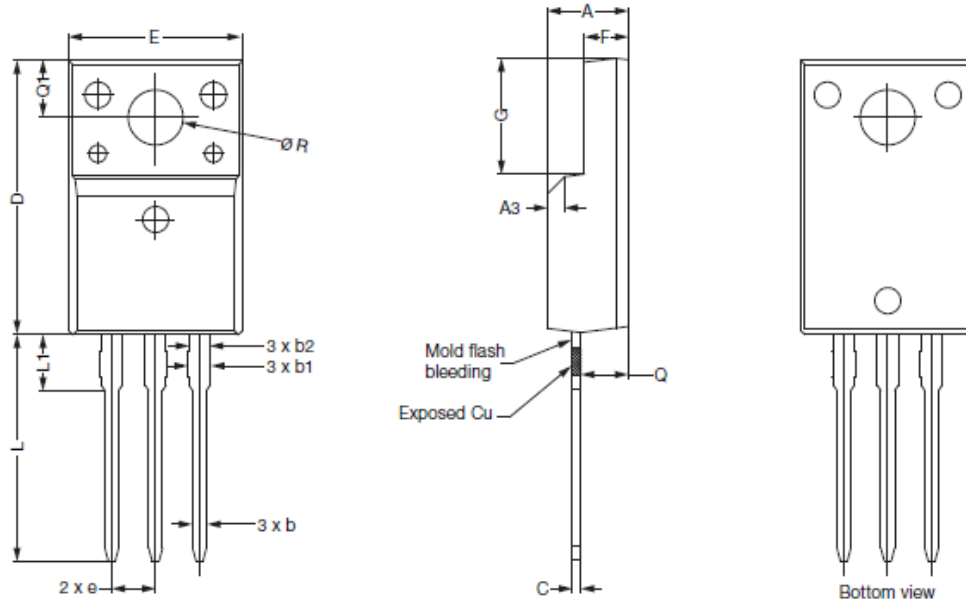
Advisory – PCN UPDATE

Product Group: Vishay Siliconix/ March 20, 2019

POD from GEM Electronics:

TO-220 FULLPAK (High Voltage)

OPTION 1: FACILITY CODE = 9



DIM.	MILLIMETERS		
	MIN.	NOM.	MAX.
A	4.60	4.70	4.80
b	0.70	0.80	0.91
b1	1.20	1.30	1.47
b2	1.10	1.20	1.30
C	0.45	0.50	0.63
D	15.80	15.87	15.97
e	2.54 BSC		
E	10.00	10.10	10.30
F	2.44	2.54	2.64
G	6.50	6.70	6.90
L	12.90	13.10	13.30
L1	3.13	3.23	3.33
Q	2.65	2.75	2.85
Q1	3.20	3.30	3.40
Ø R	3.08	3.18	3.28

Notes

1. To be used only for process drawing
2. These dimensions apply to all TO-220 FULLPAK leadframe versions 3 leads
3. All critical dimensions should C meet $C_{pk} > 1.33$
4. All dimensions include burrs and plating thickness
5. No chipping or package damage
6. Facility code will be the 1st character located at the 2nd row of the unit marking

Vishay Intertechnology, Inc.

Corporate Headquarters 63 Lincoln Highway, Malvern, PA 19355-2143 U.S.A. Phone (610) 644-1300 Fax (610) 296-0657 www.vishay.com

ONE OF THE WORLD'S LARGEST MANUFACTURERS OF DISCRETE SEMICONDUCTORS AND PASSIVE COMPONENT

Procedure #

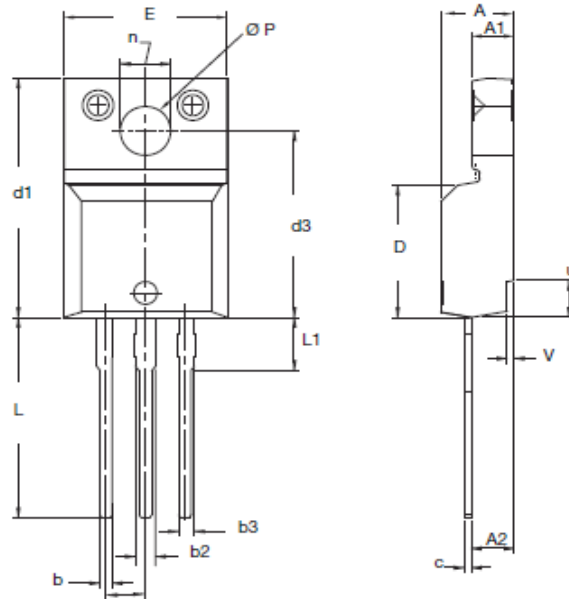


Advisory – PCN UPDATE

Product Group: Vishay Siliconix/ March 20, 2019

POD from Vishay Xian:

OPTION 2: FACILITY CODE = Y



DIM.	MILLIMETERS		INCHES	
	MIN.	MAX.	MIN.	MAX.
A	4.570	4.830	0.180	0.190
A1	2.570	2.830	0.101	0.111
A2	2.510	2.850	0.099	0.112
b	0.622	0.890	0.024	0.035
b2	1.229	1.400	0.048	0.055
b3	1.229	1.400	0.048	0.055
c	0.440	0.629	0.017	0.025
D	8.650	9.800	0.341	0.386
d1	15.88	16.120	0.622	0.635
d3	12.300	12.920	0.484	0.509
E	10.360	10.630	0.408	0.419
e	2.54 BSC		0.100 BSC	
L	13.200	13.730	0.520	0.541
L1	3.100	3.500	0.122	0.138
n	6.050	6.150	0.238	0.242
Ø P	3.050	3.450	0.120	0.136
u	2.400	2.500	0.094	0.098
V	0.400	0.500	0.016	0.020

ECN: XPending-Rev. D, 20-Mar-2019
DWG: 5972

Notes

1. To be used only for process drawing
2. These dimensions apply to all TO-220 FULLPAK leadframe versions 3 leads
3. All critical dimensions should C meet $C_{pk} > 1.33$
4. All dimensions include burrs and plating thickness
5. No chipping or package damage
6. Facility code will be the 1st character located at the 2nd row of the unit marking

Vishay Intertechnology, Inc.

Corporate Headquarters 63 Lincoln Highway, Malvern, PA 19355-2143 U.S.A. Phone (610) 644-1300 Fax (610) 296-0657 www.vishay.com

ONE OF THE WORLD'S LARGEST MANUFACTURERS OF DISCRETE SEMICONDUCTORS AND PASSIVE COMPONENT

Procedure #



Additional Commercial Power MOSFET Manufacturing Capacity Expansion

DESCRIPTION OF CHANGE: To meet increasing demand for Power MOSFET products, Vishay Siliconix has expanded assembly and test capacity on commercial High Voltage Power MOSFETs in Vishay's TO220 Full Pack package.

GEM Electronics Co., Ltd. has provided world-class total manufacturing services since 1998. GEM has been qualified since 2010 to assemble and test High Voltage MOSFETs built in DPAK for Vishay Siliconix. The GEM factory has received international quality systems and environmental compliance certifications ISO9001 and ISO14001.

CLASSIFICATION of CHANGE: Manufacturing Capacity Expansion

EXPECTED INFLUENCE ON QUALITY/RELIABILITY/PERFORMANCE: There will be no affect on the quality, reliability, or performance. There will be no changes in minimum and maximum values on the data sheets.

PRODUCT CATAGORY: Commercial High Voltage Power MOSFETs

PART NUMBERS/SERIES/FAMILIES AFFECTED: See page 2 of this PCN.

VISHAY BRAND(s): Vishay Siliconix

TIME SCHEDULE: Shipments of TO220 Full Pack products manufactured at GEM will begin in October 2017.

SAMPLE AVAILABILITY: Please contact your regional Vishay Sales office for sample availability.

QUALIFICATION DATA: Qualification results are available upon request.

PRODUCT IDENTIFICATION: Products manufactured at GEM will be identified by a "9" in the first position of the datecodes marked on the 3rd line of the part.

This PCN is considered approved, without further notification, unless we receive specific customer concerns before October 18, 2017 or as specified by contract.

ISSUED BY: Don Larson, Vishay Siliconix, Technical Marketing
E-mail address: don.larson@Vishay.com

For further information, please contact your regional Vishay office.

CONTACT INFORMATION:

The Americas

Vishay Americas
2201 Laurelwood Rd
Santa Clara, Ca 95054
T: 408-567-8500
F: 2408-567-8942

Europe

Vishay Electronic GmbH
Dr.-Felix-Zandman-Platz 1 100
D-95100
Selb, Germany
T: 49-9287-71 0
F: 49-9287-70435

Asia

Vishay Intertechnology Asia Pte. Ltd
25 Tampines Street 92
#02-00 Keppel Building
Singapore 52887
T: 65-6780-7838
F: 65-6780-7791



Product Change Notification



Product Group: Vishay Siliconix/July 18, 2017/PCN SIL-0092017

PCN-SIL-0092017 Parts List

TO-220FP Part List

94-3173PBF	IRFI840GLCPBF	IRFIBC40GLCPBF	IRLIZ34GPBF	SIHF30N60E-E3
94-5852PBF	IRFI840GPBF	IRFIBC40GPBF	IRLIZ44GPBF	SIHF30N60E-GE3
IRFI510GPBF	IRFI9520GPBF	IRFIBE20GPBF	SIHF10N40D-E3	SIHF35N60E-GE3
IRFI520GPBF	IRFI9530GPBF	IRFIBE30GPBF	SIHF12N50C-E3	SIHF5N50D-E3
IRFI530GPBF	IRFI9540GPBF	IRFIBF20GPBF	SIHF12N60E-E3	SIHF6N40D-E3
IRFI540GPBF	IRFI9610GPBF	IRFIBF30GPBF	SIHF12N60E-GE3	SIHF6N65E-GE3
IRFI614GPBF	IRFI9620GPBF	IRFIZ14GPBF	SIHF12N65E-GE3	SIHF7N60E-E3
IRFI620GPBF	IRFI9630GPBF	IRFIZ24GPBF	SIHF15N60E-E3	SIHF7N60E-GE3
IRFI630GPBF	IRFI9634GPBF	IRFIZ34GPBF	SIHF15N60E-GE3	SIHF8N50D-E3
IRFI634GPBF	IRFI9640GPBF	IRFIZ44GPBF	SIHF15N65E-GE3	SIHF8N50L-E3
IRFI640GPBF	IRFI9Z14GPBF	IRFIZ48GPBF	SIHF16N50C-E3	SIHF830G-E3
IRFI644GPBF	IRFI9Z24GPBF	IRLI520GPBF	SIHF18N50D-E3	SIHF840G-E3
IRFI720GPBF	IRFI9Z34GPBF	IRLI530GPBF	SIHF22N60E-E3	SIHFIBF30G-E3
IRFI730GPBF	IRFIB5N65APBF	IRLI540GPBF	SIHF22N60E-GE3	SIHLIZ44G-E3
IRFI740GLCPBF	IRFIB6N60APBF	IRLI630GPBF	SIHF22N60S-E3	V961-0008-E3
IRFI740GPBF	IRFIB7N50APBF	IRLI640GPBF	SIHF22N65E-GE3	
IRFI820GPBF	IRFIBC20GPBF	IRLIZ14GPBF	SIHF23N60E-GE3	
IRFI830GPBF	IRFIBC30GPBF	IRLIZ24GPBF	SIHF28N60EF-GE3	

TO-220FP Part List

94-3173PBF	IRFI840GLCPBF	IRFIBC40GLCPBF	IRLIZ34GPBF	SIHF30N60E-E3
94-5852PBF	IRFI840GPBF	IRFIBC40GPBF	IRLIZ44GPBF	SIHF30N60E-GE3
IRFI510GPBF	IRFI9520GPBF	IRFIBE20GPBF	SIHF10N40D-E3	SIHF35N60E-GE3
IRFI520GPBF	IRFI9530GPBF	IRFIBE30GPBF	SIHF12N50C-E3	SIHF5N50D-E3
IRFI530GPBF	IRFI9540GPBF	IRFIBF20GPBF	SIHF12N60E-E3	SIHF6N40D-E3
IRFI540GPBF	IRFI9610GPBF	IRFIBF30GPBF	SIHF12N60E-GE3	SIHF6N65E-GE3
IRFI614GPBF	IRFI9620GPBF	IRFIZ14GPBF	SIHF12N65E-GE3	SIHF7N60E-E3
IRFI620GPBF	IRFI9630GPBF	IRFIZ24GPBF	SIHF15N60E-E3	SIHF7N60E-GE3
IRFI630GPBF	IRFI9634GPBF	IRFIZ34GPBF	SIHF15N60E-GE3	SIHF8N50D-E3
IRFI634GPBF	IRFI9640GPBF	IRFIZ44GPBF	SIHF15N65E-GE3	SIHF8N50L-E3
IRFI640GPBF	IRFI9Z14GPBF	IRFIZ48GPBF	SIHF16N50C-E3	SIHFI830G-E3
IRFI644GPBF	IRFI9Z24GPBF	IRLI520GPBF	SIHF18N50D-E3	SIHFI840G-E3
IRFI720GPBF	IRFI9Z34GPBF	IRLI530GPBF	SIHF22N60E-E3	SIHFIBF30G-E3
IRFI730GPBF	IRFIB5N65APBF	IRLI540GPBF	SIHF22N60E-GE3	SIHLIZ44G-E3
IRFI740GLCPBF	IRFIB6N60APBF	IRLI630GPBF	SIHF22N60S-E3	V961-0008-E3
IRFI740GPBF	IRFIB7N50APBF	IRLI640GPBF	SIHF22N65E-GE3	
IRFI820GPBF	IRFIBC20GPBF	IRLIZ14GPBF	SIHF23N60E-GE3	
IRFI830GPBF	IRFIBC30GPBF	IRLIZ24GPBF	SIHF28N60EF-GE3	