

Fluke 83V and 87V Digital Multimeters Detailed Specifications

For all detailed specifications:

Accuracy is given as $\pm([\% \text{ of reading}] + [\text{number of least significant digits}])$ at 18 °C to 28 °C, with relative humidity up to 90 %, for a period of one year after calibration.

For Model 87 in the 4½-digit mode, multiply the number of least significant digits (counts) by 10. AC conversions are ac-coupled and valid from 3 % to 100 % of range. Model 87 is true-rms responding. AC crest factor can be up to 3 at full scale, 6 at half scale. For non-sinusoidal wave forms add $-(2 \% \text{ Rdg} + 2 \% \text{ full scale})$ typical, for a crest factor up to 3.



Fluke 87V ac voltage function specifications (true-rms)

Function	Range	Resolution	Accuracy					
			45 - 65 Hz	30 - 200 Hz	200 - 440 Hz	440 Hz - 1 kHz	1 - 5 kHz	5 - 20 kHz ¹
$\tilde{V}^{2,4}$	600.0 mV	0.1 mV	$\pm (0.7 \% + 4)$		$\pm (1.0 \% + 4)$		$\pm (2.0 \% + 4)$	$\pm (2.0 \% + 20)$
	6.000 V	0.001 V						
	60.00 V	0.01 V	$\pm (0.7 \% + 2)$			$\pm (2.0 \% + 4)^3$	unspecified	
	600.0 V	0.1 V						
	1000 V	1 V					unspecified	unspecified
	Using low pass filter		$\pm (0.7 \% + 2)$	$\pm (1.0 \% + 4)$	$+ 1 \% + 4$ $-6 \% - 4^5$	unspecified	unspecified	unspecified

¹ Below 10 % of range, add 6 counts.

² The Fluke 87V is a true-rms responding meter. When the input leads are shorted together in the ac functions, the meter may display a residual reading between 1 and 30 counts. A 30-count residual reading will cause only a 2-digit change for readings over 3 % of range. Using REL to offset this reading may produce a much larger constant error in later measurements.

³ Frequency range: 1 kHz to 2.5 kHz.

⁴ A residual reading of up to 13 digits with leads shorted, will not affect stated accuracy above 3 % of range.

⁵ Specification increases from -1 % at 200 Hz to -6 % at 440 Hz when filter is in use.

Fluke 83V ac voltage function specifications (average responding rms indicating)

Function	Range	Resolution	Accuracy		
			50 Hz - 60 Hz	30 Hz - 1 kHz	1 kHz - 5 kHz
\tilde{V}^1	600.0 mV	0.1 mV	$\pm (0.5 \% + 4)$	$\pm (1.0 \% + 4)$	$\pm (2.0 \% + 4)$
	6.000 V	0.001 V	$\pm (0.5 \% + 2)$	$\pm (1.0 \% + 4)$	$\pm (2.0 \% + 4)$
	60.00 V	0.01 V	$\pm (0.5 \% + 2)$	$\pm (1.0 \% + 4)$	$\pm (2.0 \% + 4)$
	600.0 V	0.1 V	$\pm (0.5 \% + 2)$	$\pm (1.0 \% + 4)$	$\pm (2.0 \% + 4)^2$
	1000 V	1 V	$\pm (0.5 \% + 2)$	$\pm (1.0 \% + 4)$	unspecified

¹ Below a reading of 200 counts, add 10 counts

² Frequency range: 1 kHz to 2.5 kHz

Fluke 83V and 87V Detailed Specifications cont.

DC voltage, resistance, and conductance function specifications

Function	Range	Resolution	Accuracy	
			Fluke 83V	Fluke 87V
$\overline{\text{V}}$	6.000 V	0.001 V	$\pm (0.1 \% + 1)$	$\pm (0.05 \% + 1)$
	60.00 V	0.01 V	$\pm (0.1 \% + 1)$	$\pm (0.05 \% + 1)$
	600.0 V	0.1 V	$\pm (0.1 \% + 1)$	$\pm (0.05 \% + 1)$
	1000 V	1 V	$\pm (0.1 \% + 1)$	$\pm (0.05 \% + 1)$
$\overline{\text{mV}}$	600.0 mV	0.1 mV	$\pm (0.3 \% + 1)$	$\pm (0.1 \% + 1)$
Ω	600.0 Ω	0.1 Ω	$\pm (0.4 \% + 2)^1$	$\pm (0.2 \% + 2)^1$
	6.000 k Ω	0.001 k Ω	$\pm (0.4 \% + 1)$	$\pm (0.2 \% + 1)$
	60.00 k Ω	0.01 k Ω	$\pm (0.4 \% + 1)$	$\pm (0.2 \% + 1)$
	600.0 k Ω	0.1 k Ω	$\pm (0.7 \% + 1)$	$\pm (0.6 \% + 1)$
	6.000 M Ω	0.001 M Ω	$\pm (0.7 \% + 1)$	$\pm (0.6 \% + 1)$
nS	50.00 M Ω	0.01 M Ω	$\pm (1.0 \% + 3)^2$	$\pm (1.0 \% + 3)^2$
	60.00 nS	0.01 nS	$\pm (1.0 \% + 10)^1$	$\pm (1.0 \% + 10)^1$

¹ When using the REL Δ function to compensate for offsets

² Add 0.5 % of reading when measuring above 30 M Ω in the 50 M Ω range and 20 counts below 33 nS in the 60 nS range

Temperature specifications (87V only)

Temperature	Resolution	Accuracy ^{1, 2}
-200 °C to +1090 °C	0.1 °C	1 % + 10
-328 °F to +1994 °F	0.1 °F	1 % + 18

¹ Does not include error of the thermocouple probe.

² Accuracy specification assumes ambient temperature stable to ± 1 °C. For ambient temperature changes of ± 5 °C, rated accuracy applies after 1 hour.

Current function specifications

Function	Range	Resolution	Accuracy		Burden Voltage (typical)
			Model 83 ¹	Model 87 ^{2, 3}	
mA $\text{A} \sim$ (45 Hz to 2 kHz)	60.00 mA	0.01 mA	$\pm (1.2 \% + 2)^5$	$\pm (1.0 \% + 2)$	1.8 mV/mA
	400.0 mA ⁶	0.1 mA	$\pm (1.2 \% + 2)^5$	$\pm (1.0 \% + 2)$	1.8 mV/mA
	6.000 A	0.001 A	$\pm (1.2 \% + 2)^5$	$\pm (1.0 \% + 2)$	0.03 V/A
	10.00 A ⁴	0.01 A	$\pm (1.2 \% + 2)^5$	$\pm (1.0 \% + 2)$	0.03 V/A
mA $\text{A} \overline{\text{---}}$	60.00 mA	0.01 mA	$\pm (0.4 \% + 4)$	$\pm (0.2 \% + 4)$	1.8 mV/mA
	400.0 mA ⁶	0.1 mA	$\pm (0.4 \% + 2)$	$\pm (0.2 \% + 2)$	1.8 mV/mA
	6.000 A	0.001 A	$\pm (0.4 \% + 4)$	$\pm (0.2 \% + 4)$	0.03 V/A
	10.00 A ⁴	0.01 A	$\pm (0.4 \% + 2)$	$\pm (0.2 \% + 2)$	0.03 V/A
$\mu\text{A} \sim$ (45 Hz to 2 kHz)	600.0 μA	0.1 μA	$\pm (1.2 \% + 2)^5$	$\pm (1.0 \% + 2)$	100 $\mu\text{V}/\mu\text{A}$
	6000 μA	1 μA	$\pm (1.2 \% + 2)^5$	$\pm (1.0 \% + 2)$	100 $\mu\text{V}/\mu\text{A}$
$\mu\text{A} \overline{\text{---}}$	600.0 μA	0.1 μA	$\pm (0.4 \% + 4)$	$\pm (0.2 \% + 4)$	100 $\mu\text{V}/\mu\text{A}$
	6000 μA	1 μA	$\pm (0.4 \% + 2)$	$\pm (0.2 \% + 2)$	100 $\mu\text{V}/\mu\text{A}$

¹ AC conversion for Model 83 is ac coupled and calibrated to the rms value of a sine wave input.

² AC conversions for Model 87 are ac coupled, true rms responding, and valid from 3 % to 100 % of range.

³ Model 87 is a true rms responding meter. When the input leads are shorted together in the ac functions, the Meter may display a residual reading between 1 and 30 counts. A 30 count residual reading will cause only a 2 digit change for readings over 3 % of range. Using REL to offset this reading may produce a much larger constant error in later measurements.

⁴ Δ 10 A continuous up to 35 °C; < 20 minutes on, 5 minutes off at 35 °C to 55 °C. 20 A for 30 seconds maximum; > 10 A unspecified.

⁵ Below a reading of 200 counts, add 10 counts.

⁶ 400 mA continuous; 600 mA for 18 hours maximum.

Capacitance and diode function specifications

Function	Range	Resolution	Accuracy
$\overline{\text{C}}$	10.00 nF	0.01 nF	$\pm (1 \% + 2)^1$
	100.0 nF	0.1 nF	$\pm (1 \% + 2)^1$
	1.000 μF	0.001 μF	$\pm (1 \% + 2)$
	10.00 μF	0.01 μF	$\pm (1 \% + 2)$
	100.0 μF	0.1 μF	$\pm (1 \% + 2)$
	9999 μF	1 μF	$\pm (1 \% + 2)$
$\overrightarrow{\text{D}}$	3.000 V	0.001 V	$\pm (2 \% + 1)$

¹ With a film capacitor or better, using Relative mode to zero residual.

Frequency counter specifications

Function	Range	Resolution	Accuracy
Frequency (0.5 Hz to 200 kHz, pulse width > 2 µs)	199.99	0.01 Hz	± (0.005 % + 1)
	1999.9	0.1 Hz	± (0.005 % + 1)
	19.999 kHz	0.001 kHz	± (0.005 % + 1)
	199.99 kHz	0.01 kHz	± (0.005 % + 1)
	> 200 kHz	0.1 kHz	unspecified

Frequency counter sensitivity and trigger levels

Input Range ¹	Minimum Sensitivity (RMS Sine wave)		Approximate Trigger Level (DC Voltage Function)
	5 Hz - 20 kHz	0.5 Hz - 200 kHz	
600 mV dc	70 mV (to 400 Hz)	70 mV (to 400 Hz)	40 mV
600 mV ac	150 mV	150 mV	–
6 V	0.3 V	0.7 V	1.7 V
60 V	3 V	7 V (≤ 140 kHz)	4 V
600 V	30 V	70 V (≤ 14.0 kHz)	40 V
1000 V	100 V	700 V (≤ 1.4 kHz)	100 V
Duty Cycle Range	Accuracy		
0.0 to 99.9 %	Within ± (0.2 % per kHz + 0.1 %) for risetimes < 1 µs		

¹ Maximum input for specified accuracy = 10X Range or 1000 V.

Electrical characteristics of the terminals

Function	Overload Protection ¹	Input Impedance (nominal)	Common Mode Rejection Ratio (1 kΩ unbalance)		Normal Mode Rejection					
$\overline{\overline{V}}$	1000 V rms	10 MΩ < 100 pF	> 120 dB at dc, 50 Hz or 60 Hz		> 60 dB at 50 Hz or 60 Hz					
\overline{mV}	1000 V rms	10 MΩ < 100 pF	> 120 dB at dc, 50 Hz or 60 Hz		> 60 dB at 50 Hz or 60 Hz					
\tilde{V}	1000 V rms	10 MΩ < 100 pF (ac-coupled)	> 60 dB, dc to 60 Hz							
			Full Scale Voltage		Typical Short Circuit Current					
			To 6.0 MΩ	50 MΩ or 60 nS	600 Ω	6 k	60 k	600 k	6 MΩ	50 MΩ
Ω	1000 V rms	< 7.3 V dc	< 4.1 V dc	< 4.5 V dc	1 mA	100 µA	10 µA	1 µA	1 µA	0.5 µA
→+	1000 V rms	< 3.9 V dc	3.000 V dc		0.6 mA typical					

¹ 10⁶ V Hz maximum

MIN MAX recording specifications

Model	Nominal Response	Accuracy
83V	100 ms to 80 %	Specified accuracy ± 12 counts for changes > 200 ms in duration (± 40 counts in ac with beeper on)
87V	100 ms to 80 % (dc functions)	Specified accuracy ± 12 counts for changes > 200 ms in duration > 25 % of range
	120 ms to 80 % (ac functions)	Specified accuracy ± 40 counts for changes > 350 ms and inputs
	250 µs (peak) (Model 87 only) ¹	Specified accuracy ± 100 counts for changes > 250 µs in duration (add ± 100 counts for readings over 6000 counts) (add ± 100 counts for readings in Low Pass mode)

¹ For repetitive peaks: 1 ms for single events.

Fluke 83V and 87V General Specifications

Maximum voltage between any terminal and earth ground: 1000 V rms

Fuse protection for mA or μ A inputs: 44/100 A, 1000 V FAST Fuse

Fuse protection for A input: 11 A, 1000 V FAST Fuse

Display:

Digital: 6000 counts updates 4/sec; (Model 87V also has 19,999 counts in high-resolution mode)

Analog: 33 segments, updates 40/sec.

Frequency: 19,999 counts, updates 3/sec at > 10 Hz

Temperature: Operating: -20 °C to +55 °C; Storage: -40 °C to +60 °C

Altitude:

Operating: 2000 m

Storage: 10,000 m

Temperature coefficient: 0.05 x (specified accuracy)/ °C (< 18 °C or > 28 °C)

Electromagnetic compatibility: In an RF field of 3 V/m total accuracy = specified accuracy

Relative humidity: 0 % to 90 % (0 °C to 35 °C); 0 % to 70 % (35 °C to 55 °C)

Battery type: 9 V zinc, NEDA 1604 or 6F22 or 006P

Battery life: 400 hours typical with alkaline (with backlight off)

Vibration: Per MIL-PRF-28800 for a Class 2 instrument

Shock: 1 Meter drop per IEC 61010-1:2001

Size (HxWxD): 1.25 in x 3.41 in x 7.35 in (3.1 cm x 8.6 cm x 18.6 cm)

Size with holster and flex-stand: 2.06 in x 3.86 in x 7.93 in (5.2 cm x 9.8 cm x 20.1 cm)

Weight: 12.5 oz (355 g)

Weight with holster and flex-stand: 22.0 oz (624 g)

Safety: Complies with ANSI/ISA S82.01-2004, CSA 22.2 No. 1010.1:2004 to 1000 V Overvoltage Category III, IEC 664 to 600 V Overvoltage Category IV. UL listed to UL3111-1. Licensed by TÜV to EN61010-1.

Fluke. *Keeping your world up and running.*

Fluke Corporation

PO Box 9090, Everett, WA USA 98206

Fluke Europe B.V.

PO Box 1186, 5602 BD
Eindhoven, The Netherlands

For more information call:

In the U.S.A. (800) 443-5853 or
Fax (425) 446-5116

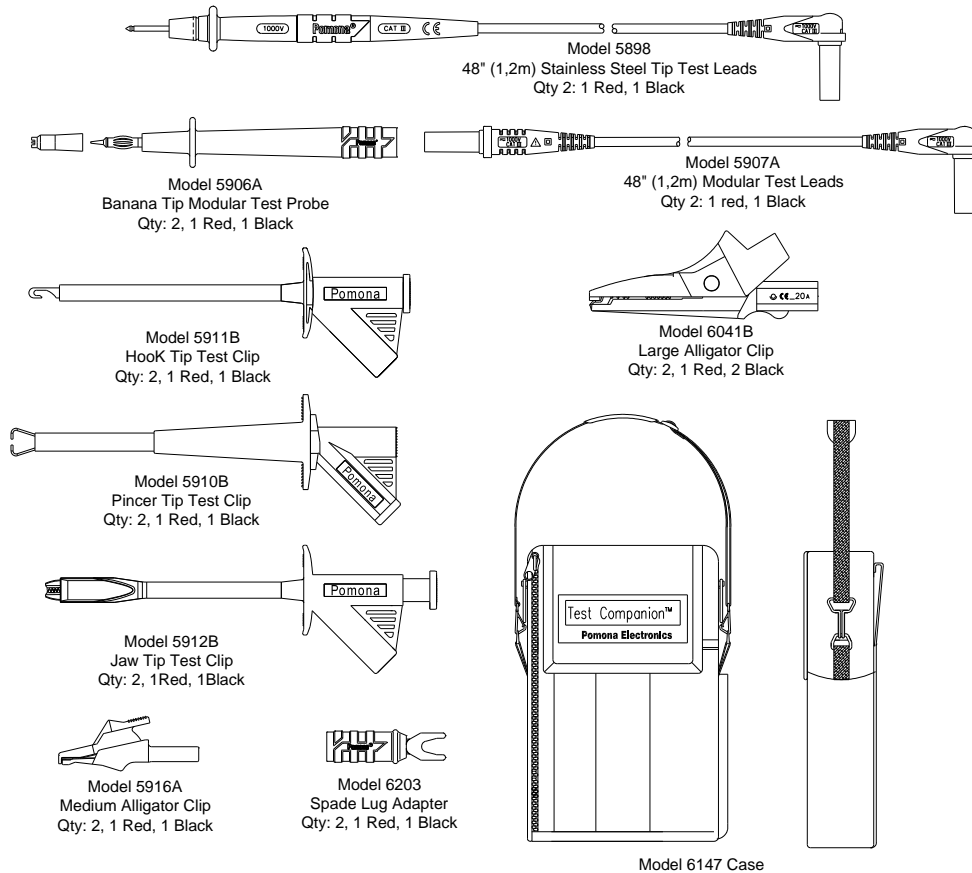
In Europe/M-East/Africa (31 40) 2 675 200 or
Fax (31 40) 2 675 222

In Canada (800)-36-FLUKE or
Fax (905) 890-6866

From other countries +1 (425) 446-5500 or
Fax +1 (425) 446-5116

Web access: <http://www.fluke.com/>

©2005 Fluke Corporation. All rights reserved.
Printed in U.S.A. 4/2005 2161164 D-US-N Rev B



For data sheets / specifications of the kit individual components, visit the Pomona web site at:
www.pomonaelectronics.com

FEATURES:

- ✓ Test leads with a right angle banana plug are ideal for use with hand held digital multimeter.
- ✓ Flexible test leads feature high strand count silicone wire for extreme flexibility and high temperature resistance.
- ✓ Banana plugs are molded directly to the wire for superior pull strength.
- ✓ Banana tip probe body, alligators, spade lug and test clips attaches directly to test leads for testing versatility
- ✓ Test accessories conveniently store in the shoulder-pack with carrying strap.
- ✓ Compatible with most multimeters that accepts safety style sheath banana plugs.
- ✓ CE Compliant; complies with IEC 1010-2-031 standard for hand held accessories.

All dimensions are in inches. Tolerances (except noted): .xx = ±.02" (.51 mm), .xxx = ±.005" (.127 mm).

All specifications are to the latest revisions. Specifications are subject to change without notice.

Registered trademarks are the property of their respective companies.

Sales: 800-490-2361 Fax: 888-403-3360 Technical Assistance: 800-241-2060
For "Where to Buy" information, visit the Pomona web site at www.pomonaelectronics.com

Pomona[®]

The items included with this product are certified to meet IEC 1010-2-031 safety requirements.

Les éléments inclus avec ce produit sont certifiés pour répondre à des exigences de sûreté du IEC 1010-2-031.


Los items incluidos con este producto se certifican para resolver requisitos de seguridad del IEC 1010-2-031.

– Only IEC 1010 type shrouded test plugs should be used with IEC 1010 type jacks. NEVER INSERT A PROBE TIP WITH BANANA SPRING INTO A TEST ACCESSORY JACK THAT WILL BE USED AS A HAND HELD PROBING DEVICE

–Seuls les vérificateurs de tension renforcés de type IEC 1010 devraient être utilisés avec des jacks de type IEC 1010. NE JAMAIS INSERER DE BOUT DE SONDE AVEC RESSORT BANANE DANS UN JACK D'ESSAI D'ACCESSOIRES QUI SERA UTILISE COMME DISPOSITIF DE SONDAGE A MAIN.

–Se deben usar sólo tapones de prueba reforzados del tipo IEC 1010 con receptáculos de tipo IEC 1010. NUNCA INTRODUZCA UNA CLAVIJA CON UN MUELLE TIPO BANANA EN UN RECEPTACULO DE PRUEBA QUE A SU VEZ SE USE COMO APARATO DE PRUEBA MANUAL.

 Both Direct and Alternating Current.
Courant Continu et Alternatif.
Corriente Directa y Alterna.

 Double Insulation or Reinforced Insulation.
Isolation Double ou Isolation Renforcée.
Aislamiento Doble o Aislamiento Reforzado.

CAT Overvoltage Category I, II, III or IV.
Surtension Catégorie I, II, III ou IV.
Sobretensión de Categoría I, II III o IV.



Caution ! Refer to Accompanying Documents.
Attention ! Se Reporter aux Documents joints.
¡ Peligro! Consulte los Documentos Adjuntos.



Caution ! Risk of Electric Shock.
Attention ! Risque de Choc Électrique.
¡ Peligro! Riesgo de Sacudida Eléctrica.

Pomona Electronics

PO Box 9090, Everett, WA 98206-9090 TEL: 800-490-2361



All dimensions are in inches. Tolerances (except noted): .xx = ±.02" (.51 mm), .xxx = ±.005" (.127 mm).

All specifications are to the latest revisions. Specifications are subject to change without notice.

Registered trademarks are the property of their respective companies.

Sales: 800-490-2361 Fax: 888-403-3360 Technical Assistance: 800-241-2060
For "Where to Buy" information, visit the Pomona web site at www.pomonaelectronics.com