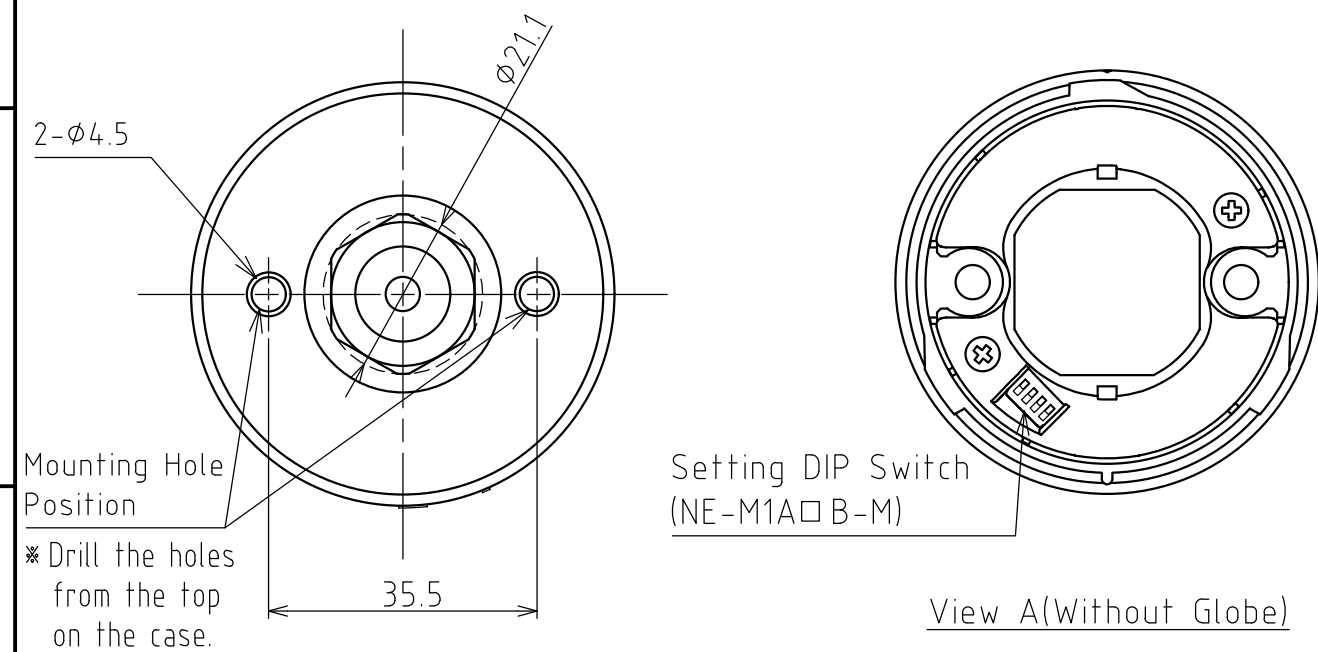
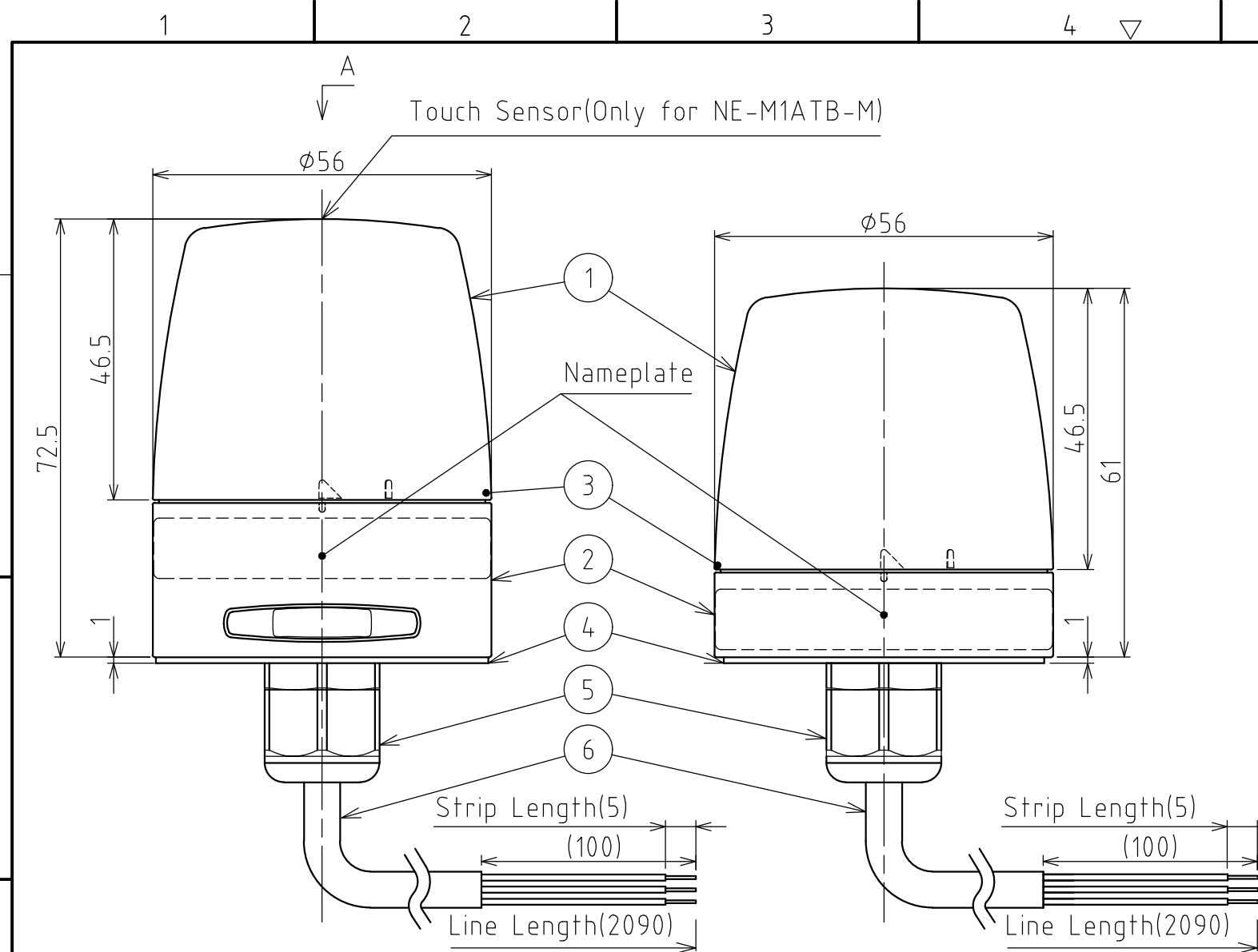


# SPECIFICATIONS

## [General Specifications]

Product Name		Signal Light		
Model		NE-M1ANN-M	NE-M1ANB-M	NE-M1ATB-M
Rated Voltage		12V DC - 24V DC		
Operating Voltage Range		10V DC - 30V DC		
Rated Current Consumption	Typ.	12V DC	55mA	80mA
		24V DC	45mA	65mA
	Max.	12V DC	65mA	95mA
		24V DC	50mA	75mA
Rated Power Consumption	Typ.	12V DC	0.7W	1.0W
		24V DC	1.1W	1.6W
	Max.	12V DC	0.8W	1.2W
		24V DC	1.2W	1.8W
Standby Current		Less than 20mA		
Inrush Current		Less than 0.4A / 2msec		
Operating Ambient Temperature		-25°C to +60 °C		
Operating Ambient Humidity		Less than 90% (No condensation)		
Storage Ambient Temperature		-40°C to +75°C		
Storage Ambient Humidity		Less than 90% (No condensation)		
Mounting Location		Indoor		
Mounting Direction		All Directions		
Protection Rating		IP67、NEMA TYPE 4X, 13	IP65、NEMA TYPE 4X, 13	
Environmental Condition		Upright		
Insulation Resistance		More than 5MΩ at 500VDC between live part and non-current carrying metallic part		
Withstand Voltage		500VAC applied for 1min between live part and non-current carrying metallic part without breaking insulation		
Sound Pressure Level		-	Typ. 88dB	
Environmental Condition		Front direction from the center/at 1m Buzzer Sound 「Continuous tone」		
Buzzer Sound		Setting DIP Switch		
		OFF	Intermittent tone	ON Continuous tone
Luminous Color		Red / Green / Blue / Amber / Cyan / Purple / White		
Touch Sensor input method		-	Electrostatic Capacitance	
Mass (Tolerance ±10%)		0.15kg	0.17kg	
Outer Dimensions		Refer to the Outer Dimension Drawing		
Conformity Standards		EMC Directive (EN 61000-6-4, EN 61000-6-2)		
		RoHS Directive (EN 50581)		
		UL 508, CSA-C22.2 No. 14		
		FCC Part 15 SubpartB Class A		
		ICES-003		
		KC (KN 61000-6-4, KN 61000-6-2)		
Remarks		Due to the characteristics of the LED elements, a variation in difference of the color tone and brightness of every product may occur.		
Model Number Configuration		NE- <b>M1</b> <b>A</b> <b>T</b> <b>B</b> - <b>M</b>		



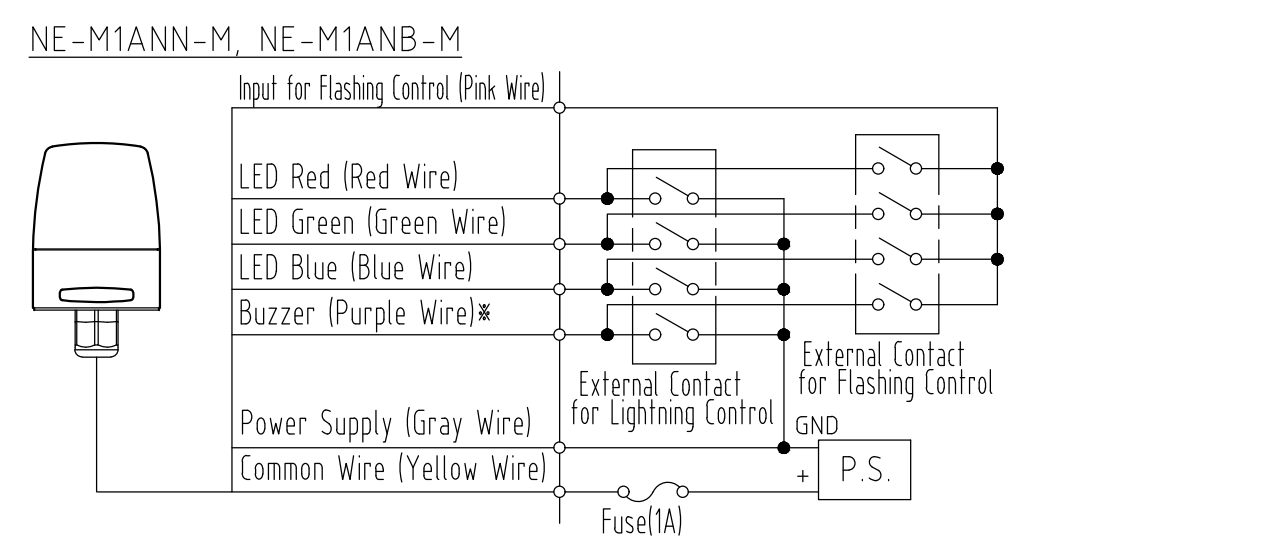
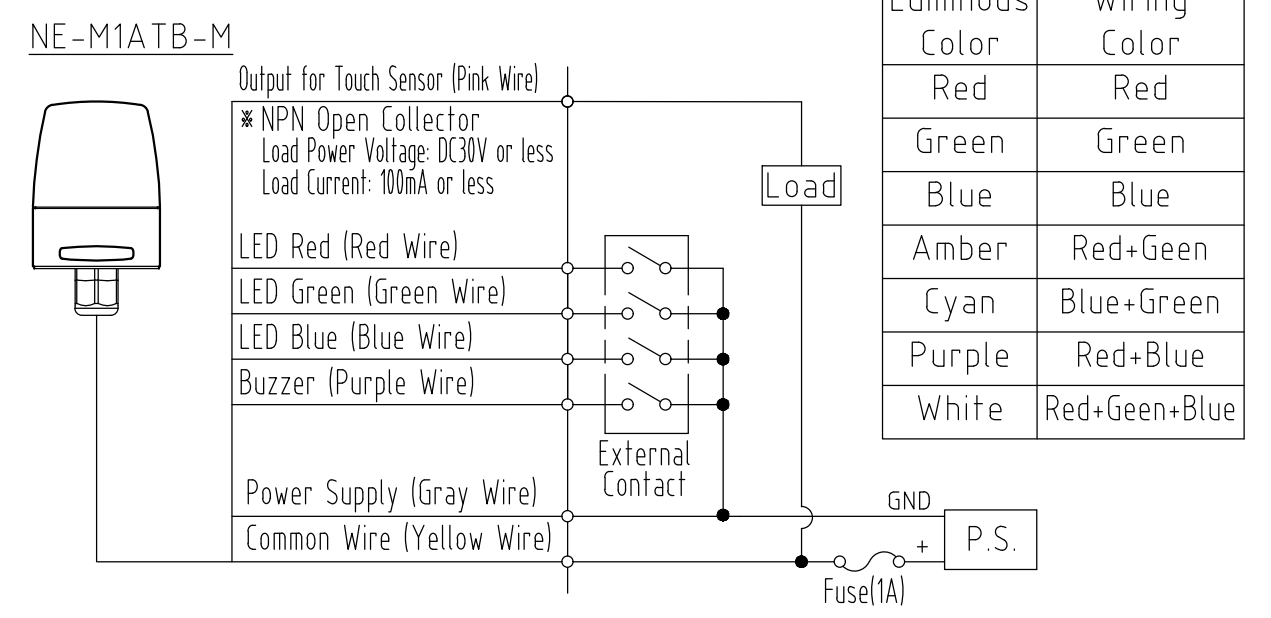
Mounting Hole Position  
 \* Drill the holes from the top on the case.

Setting DIP Switch (NE-M1A□B-M)  
 View A (Without Globe)

指定公差 General Tolerance	角度公差 ±[°] Angular tolerance ±[°]			寸法公差 ±[mm] Dimensional tolerance ±[mm]							
	短辺長さ Length of short side	~	~100	6	30	120	300	1000			
	精 f	1	0.5	0.3	0.1	中 m	0.1	0.3	0.5	0.7	1
	粗 v	3	1.5	1	0.5	粗 c	0.3	0.5	1	1.2	2

図番 Drawing No.	NE-M1ANN-W18	
改訂 Rev.	年月日 Date	改訂履歴 Revisions
△	17.Apr.'19	

Writing Example



\* Do not connect the buzzer (Purple wire) for the NE-M1ANN-M.

番号 No.	部品名 Part Name	数量 Qty.	記事 Remarks
6	Cabtyre Cable	1	φ6.5, UL2464, AWG 24
5	Cable gland	1	Polyamide 66 Resin
4	Waterproof sheet	1	Silicone rubber, Black
3	O-ring	1	Silicone rubber, Black
2	Buzzer Case / Case	1	PC, Off-dark Gray
1	Globe	1	PC, Milky white

機種 Model	NE-M1ANN	特注 No. S.P.No.	-	図名 Name	Outer Dimension Drawing
----------	----------	----------------	---	---------	-------------------------

品目コード Part No.	-	尺度 Scale	-	三角法 3rd Angle P.	単位 Unit mm	株式会社 PATLITE Corporation
----------------	---	----------	---	------------------	------------	--------------------------