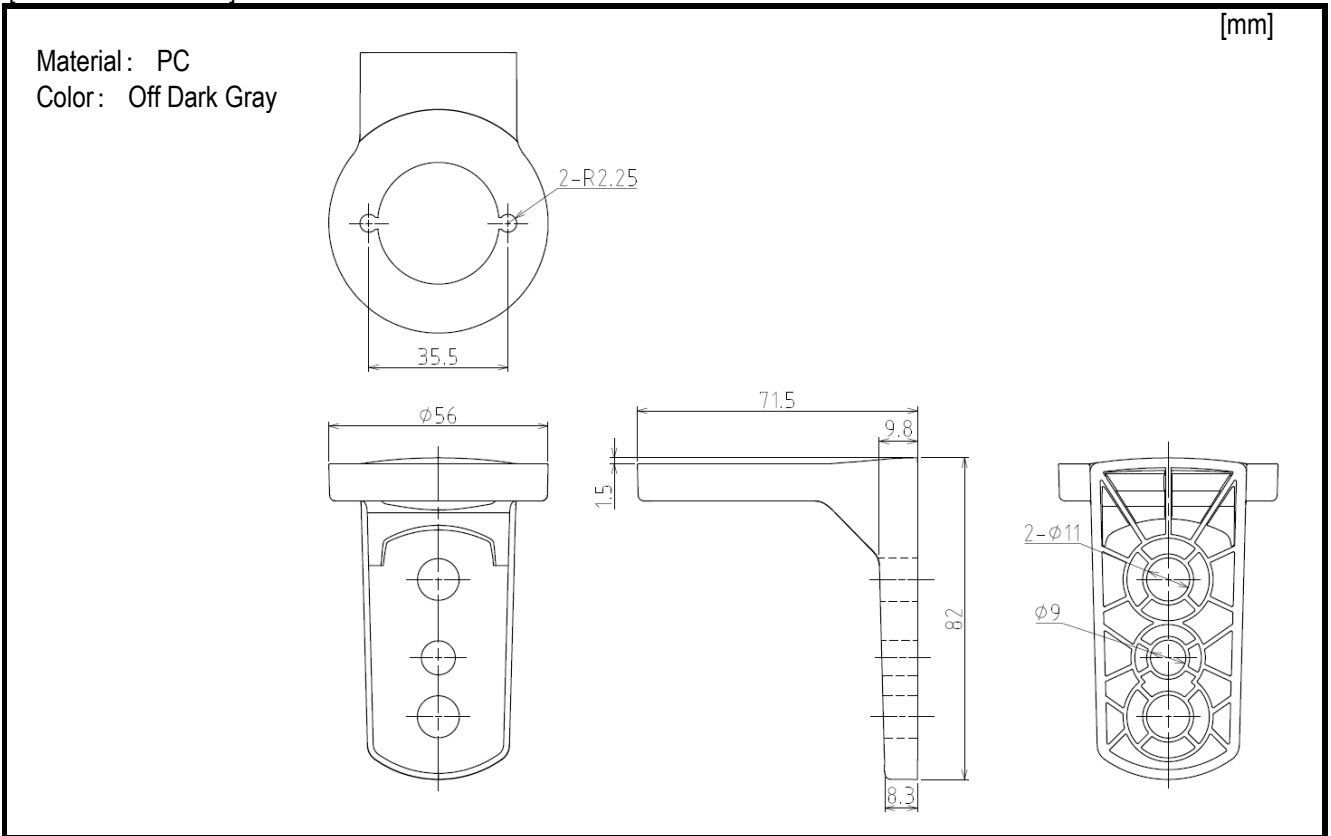


SPECIFICATIONS

[1.General Specifications]

Product Name	Wall Mount Bracket
Model	NE-002D
Mounting Location	Indoor
Mounting Direction	Upright
Mass (Tolerance $\pm 10\%$)	0.034kg
Outer Dimensions	Refer to the [2.Outer Dimensions]
Remarks	There are no contents of controlled substances exceeding the threshold for the RoHS Directive.

[2.Outer Dimensions]



[3.Mounting Dimensional Drawing]

